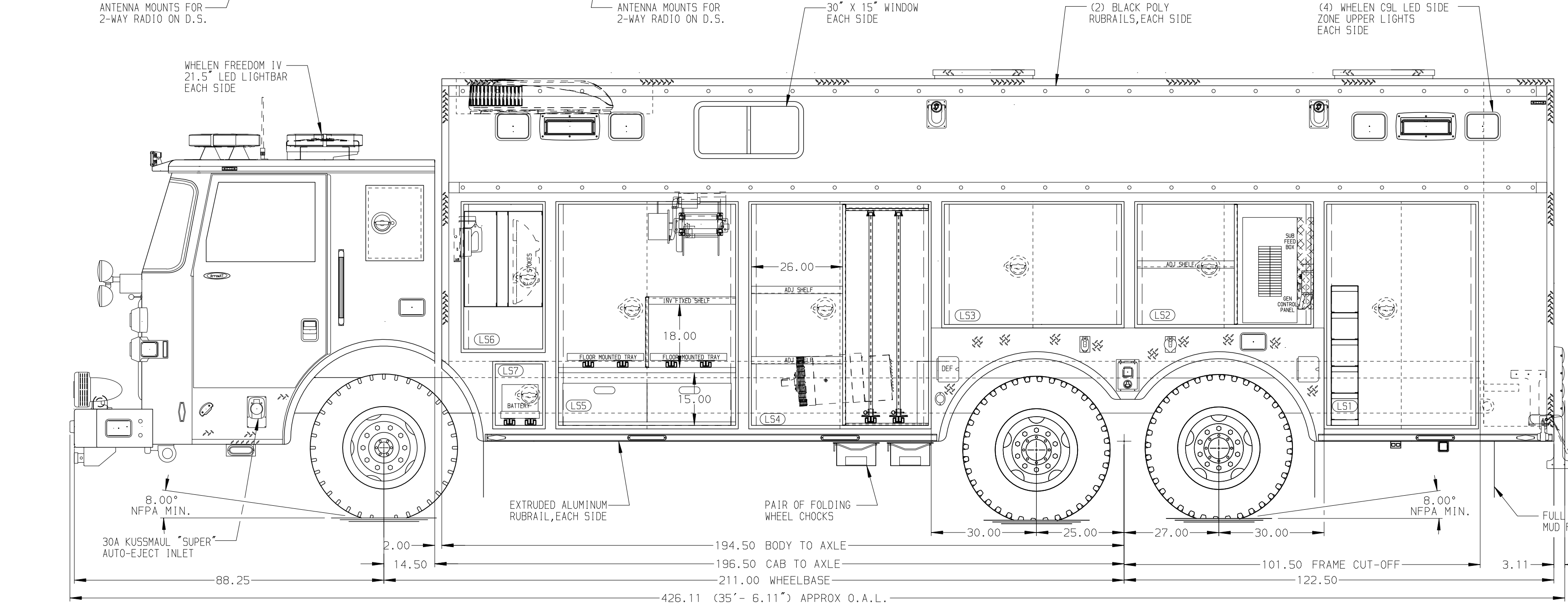
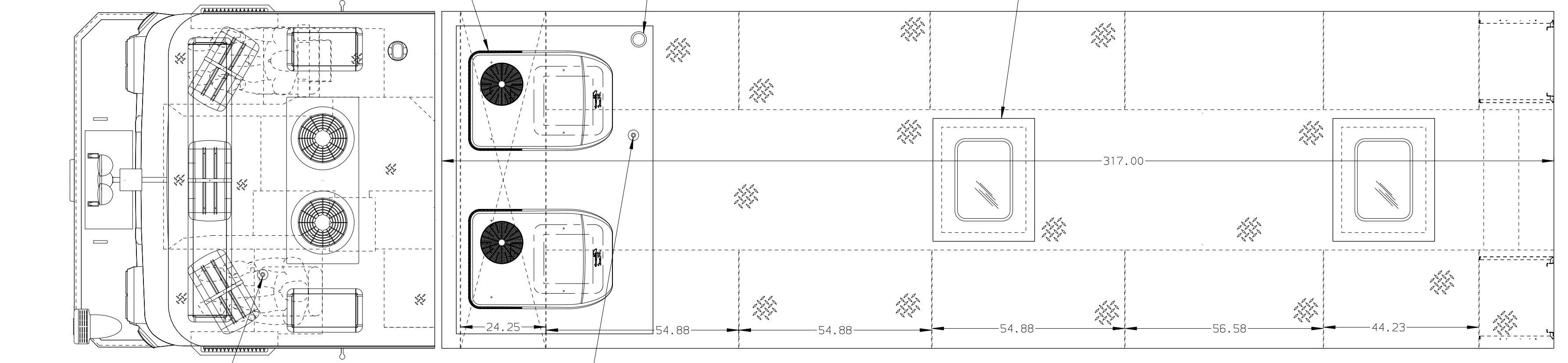
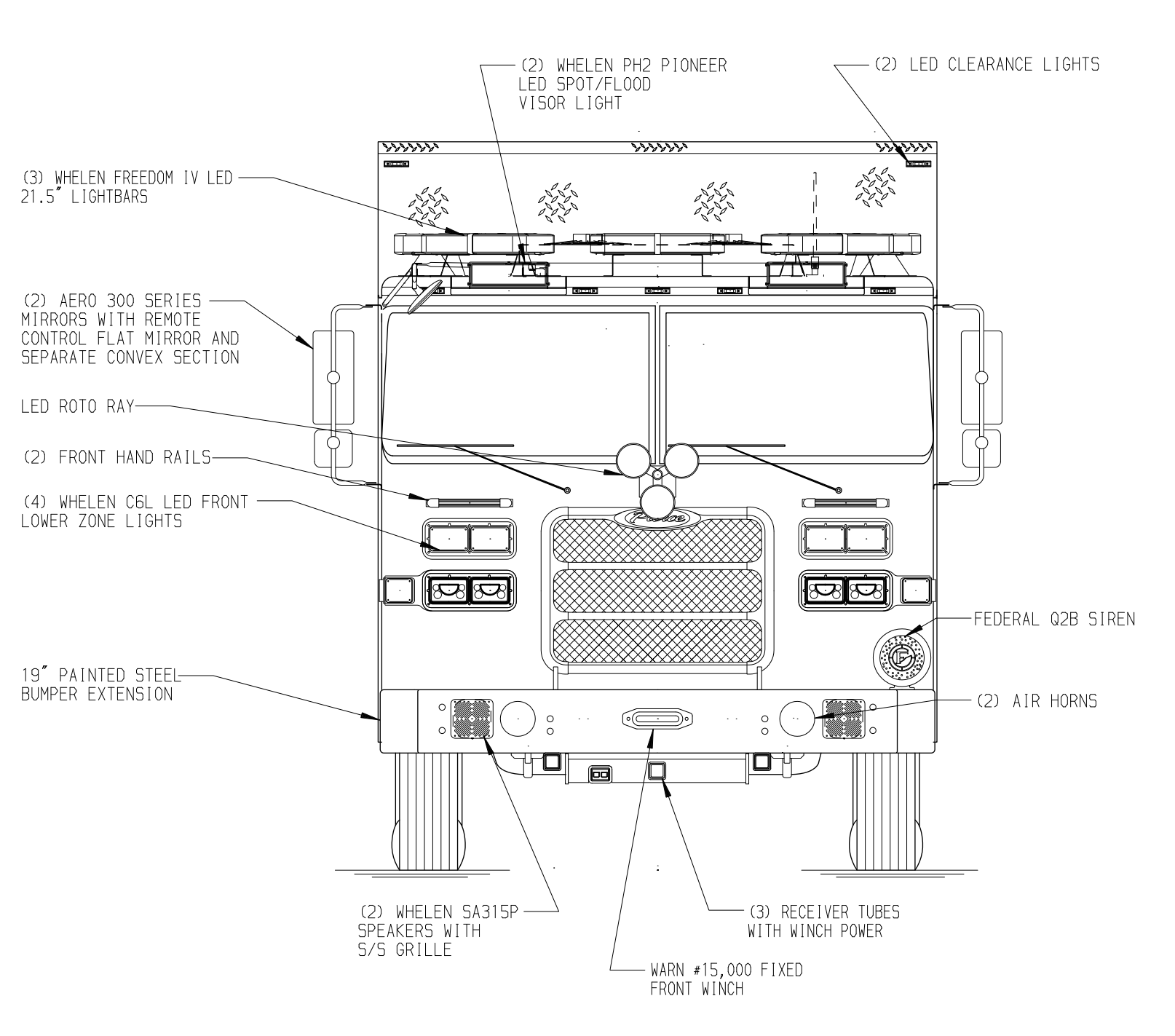
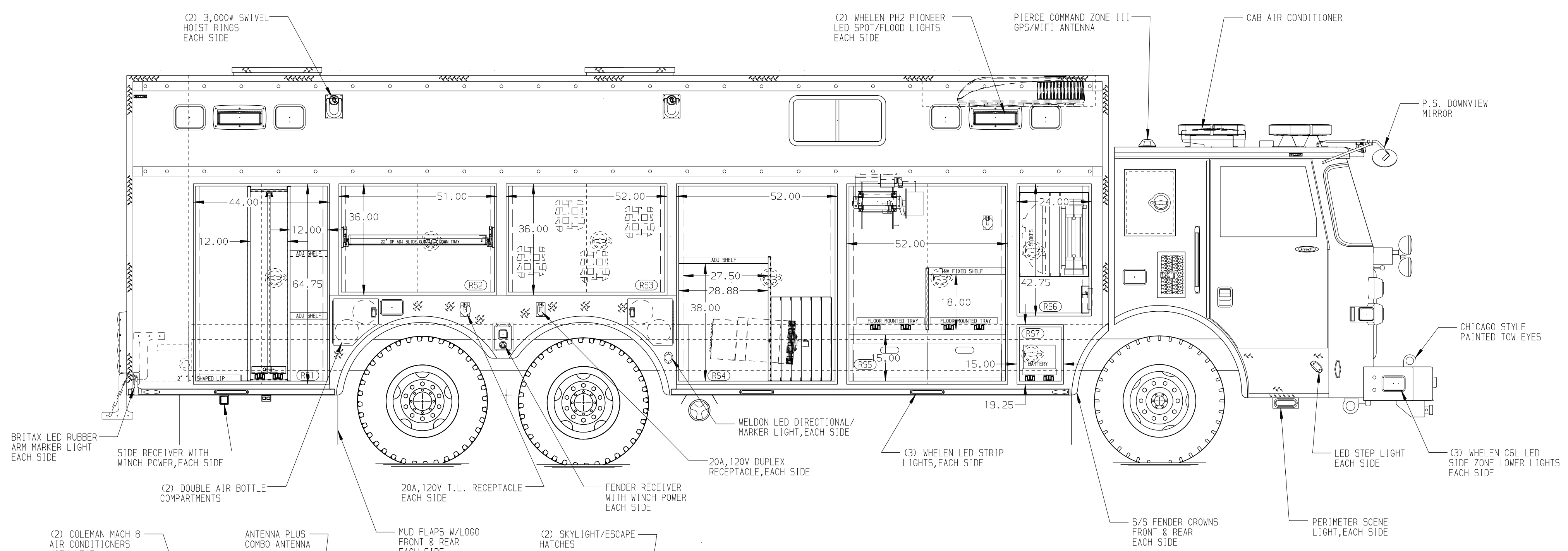


**PASSENGER'S SIDE COMPARTMENTS CONTAIN THE FOLLOWING:**

- COMPARTMENT P1 CONTAINS:
  - (2) STD DEPTH ADJ SHELVES
  - (1) 2" L-SHAPED LIP ON FLOOR
  - (2) VERTICAL COMPARTMENT PEGBOARD DIVIDERS
  - (1) STD DP ADJ SLIDE OUT TOOLBOARD W/TRAY
- COMPARTMENT P2 CONTAINS:
  - (1) STD DEPTH ADJ SLIDE OUT/TILT TRAY
- COMPARTMENT P3 CONTAINS:
  - CARGO RETENTION NETTING
- COMPARTMENT P4 CONTAINS:
  - (1) RACK FOR 6 AIR BAGS
  - (1) VERTICAL COMPARTMENT DIVIDER
  - (1) STD DEPTH ADJ SHELF
- COMPARTMENT P5 CONTAINS:
  - (1) 30A, 240V T.L. RECEPTACLE
  - (2) FLOOR MOUNTED TRAYS
  - (1) HORIZONTAL FLOOR EXTENSION
  - (1) VERTICAL COMPARTMENT PEGBOARD DIVIDER
  - (1) INVERTED FIXED SHELF
  - (2) POLY TOOL BOXES
  - (1) ELECTRIC CORD REEL WITH 200' OF 10/4 YELLOW CORD
- COMPARTMENT P6 CONTAINS:
  - (1) CAB LIFT CONTROL WITH COVER
  - (1) STOKES BASKET RACK
  - (1) RACK FOR BACKBOARD
  - (1) LITTLE GIANT LADDER RACK
- COMPARTMENT P7 CONTAINS:
  - (1) FLOOR MOUNTED TRAY
  - (3) EXIDE GROUP 31 BATTERIES



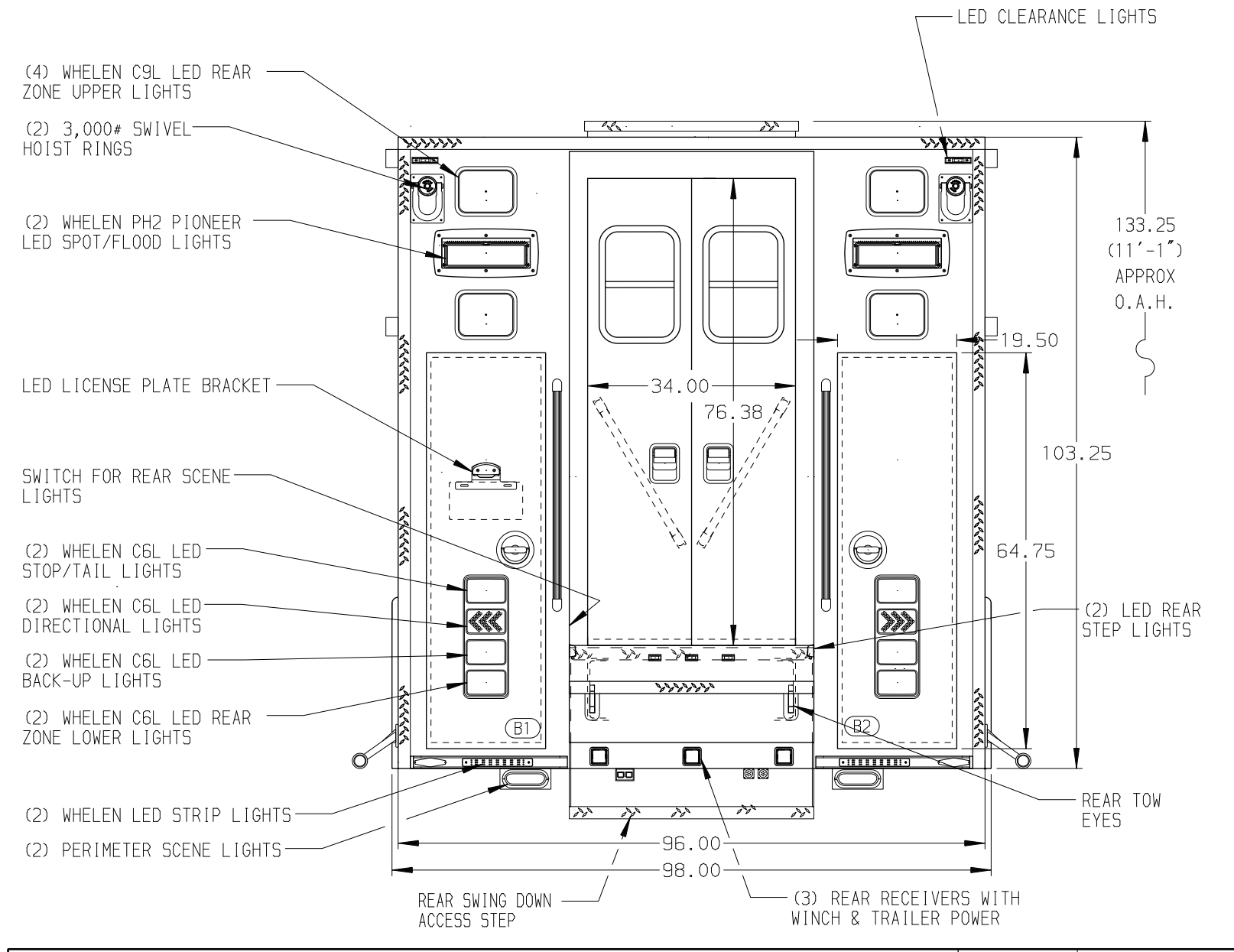
**DRIVER'S SIDE COMPARTMENTS CONTAIN THE FOLLOWING:**

- COMPARTMENT D1 CONTAINS:
  - (1) RACK FOR 5 SCBA BOTTLES
- COMPARTMENT D2 CONTAINS:
  - (1) 22\"/>
- COMPARTMENT D3 CONTAINS:
  -
- COMPARTMENT D4 CONTAINS:
  - (1) VERTICAL COMPARTMENT PEGBOARD DIVIDER
  - (2) STD DEPTH ADJ SLIDE OUT TOOLBOARDS
  - (2) STD DEPTH ADJ SHELVES
- COMPARTMENT D5 CONTAINS:
  - (2) FLOOR MOUNTED TRAYS
  - (1) HORIZONTAL FLOOR EXTENSION
  - (1) VERTICAL COMPARTMENT PEGBOARD DIVIDER
  - (1) INVERTED FIXED SHELF
  - (2) POLY TOOL BOXES
  - (1) ELECTRIC CORD REEL WITH 200' OF 10/4 YELLOW CORD
- COMPARTMENT D6 CONTAINS:
  - (1) STOKES BASKET RACK
  - (1) RACK FOR BACKBOARD
  - (1) STREAMLIGHT HANDLIGHT
- COMPARTMENT D7 CONTAINS:
  - (1) FLOOR MOUNTED TRAY
  - (3) EXIDE GROUP 31 BATTERIES

NOTE: LAP DOORS HAVE BEEN SHOWN IN HIDDEN LINES TO CLEARLY IDENTIFY THE EQUIPMENT IN EACH COMPARTMENT. DASHED LINES ON SIDES ARE DOORS IN OPEN POSITION

**REAR COMPARTMENTS CONTAINS THE FOLLOWING:**

- COMPARTMENT B1 CONTAINS:
  -
- COMPARTMENT B2 CONTAINS:
  -



**NOTE**  
DIMENSIONS SHOWN ARE APPROXIMATE AND ARE SUBJECT TO MINOR DEVIATIONS AS MAY OCCUR OR BE NECESSARY IN CONSTRUCTION. MINOR DETAILS NOT SHOWN.

- NOTES:**
- WARN 9,000# PORTABLE WINCH
  - 5/5 SCUFFPLATES ON CAB DOOR JAMBS
  - FLOOR IN CAB TO BE ALUMINUM TREADPLATE
  - ALUMINUM TREADPLATE ON FRONT OF BODY AND REAR FENDER PANELS
  - BRUSHED 5/5 SCUFFPLATES ON INSIDE OF COMPARTMENT DOORS
  - PIERCE LED STRIP LIGHTS IN ALL BODY COMPARTMENTS
  - ONAN 30kW SINGLE PHASE PTO DRIVEN GENERATOR WITH SPLASH GUARD LOCATED BETWEEN THE FRAME RAILS
  - KUSSMAUL PUMP PLUS 1200 BATTERY CHARGER WITH COVER LOCATED BEHIND OFFICER'S SEAT
  - BATTERY CHARGE INDICATOR LOCATED AT DRIVER'S SEAT WITH BRACKET

**STAINLESS STEEL BODY**

CLEAR DOOR WIDTH KEY		CHASSIS DATA
AMDR ROLL UP DOORS:	-2 1/4"	TITLE
GORTITE ROLL UP DOORS:	-2 1/2"	HEAVY DUTY RESCUE WALKIN
PIERCE DOUBLE LAP DOORS:	-4 1/4"	FOR
PIERCE LIFT-UP LAP DOORS:	-1 1/2"	NORTH CHARLESTON FIRE DEPARTMENT
		NORTH CHARLESTON, NC
		DWG NO.
		37266AD-SH1

**Pierce MANUFACTURING INC.**

JOB NO. 37266

SCALE 1:24 DATE

DRAWN BY DHE 04MAY22

CHECKED BY AZU 05MAY22

SHEET SIZE D SHEET NO. 1 OF 2