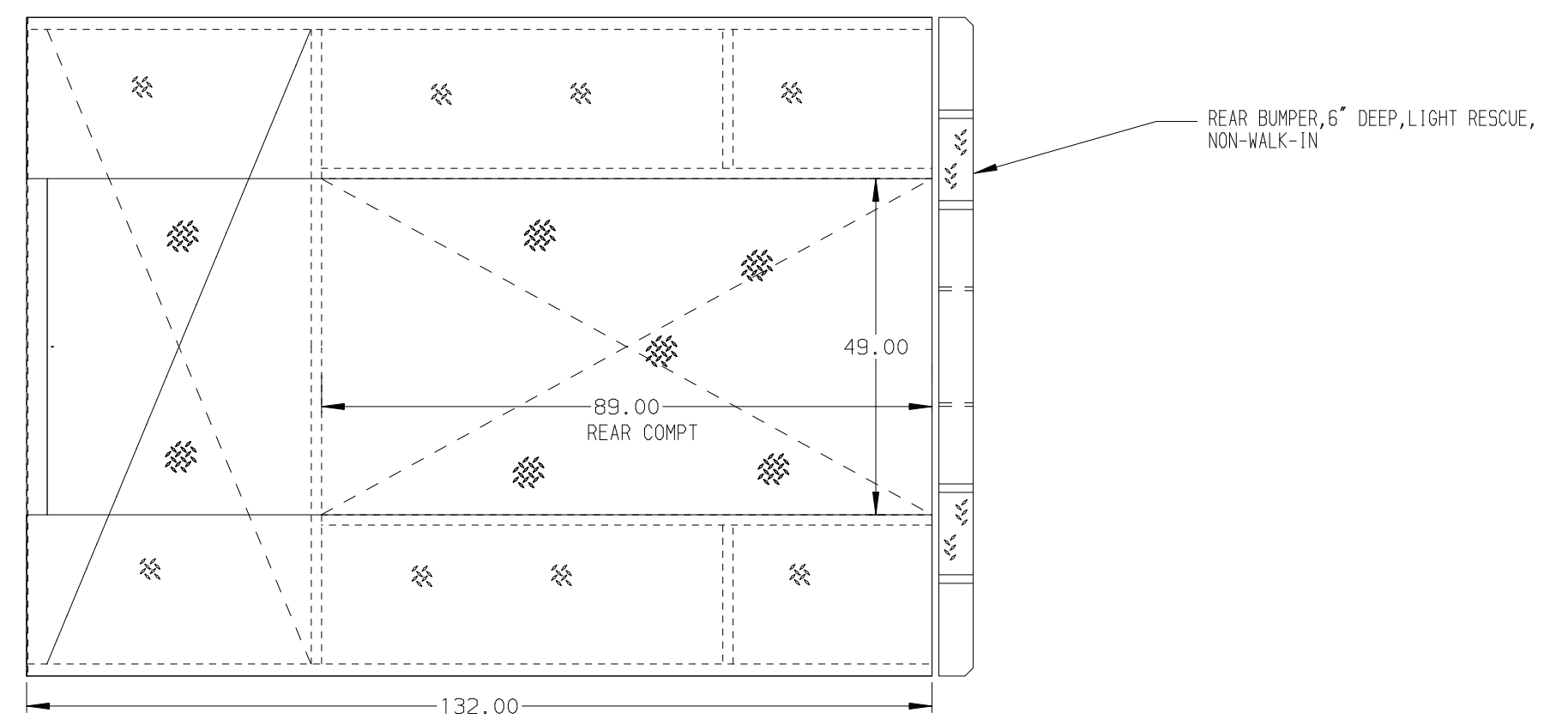
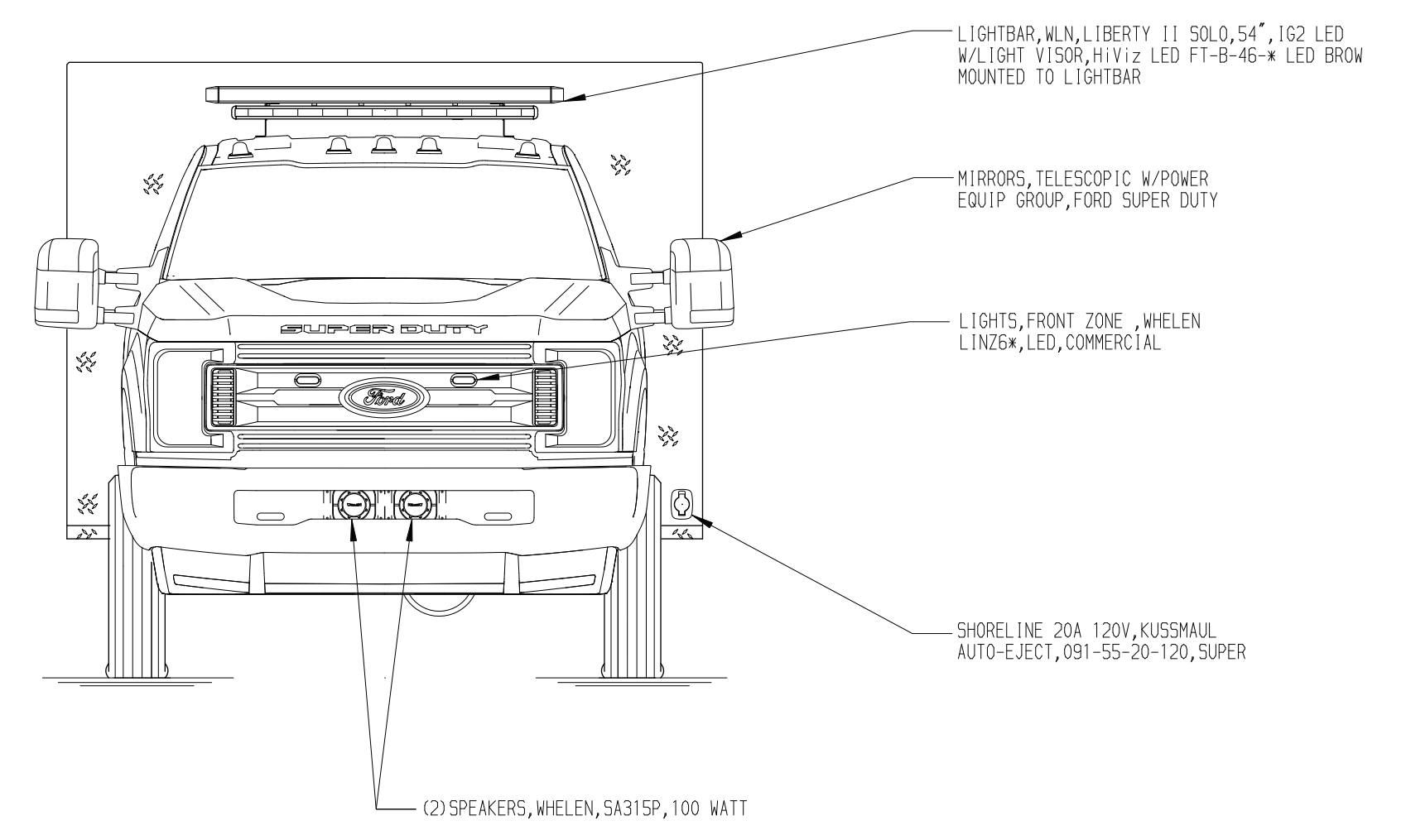
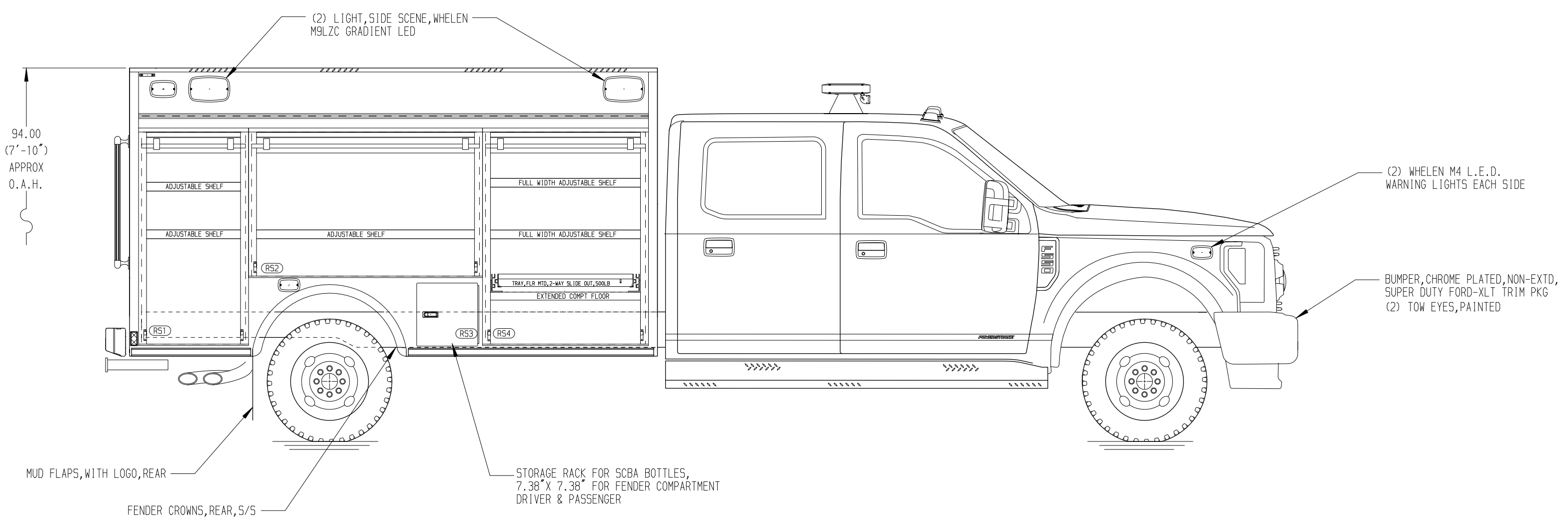


RIGHT SIDE COMPARTMENTS CONTAIN THE FOLLOWING:

COMPARTMENT RS1 CONTAINS:
 - (2) SHELVES, ADJUSTABLE, 500LB CAP, STANDARD DEPTH COMPT

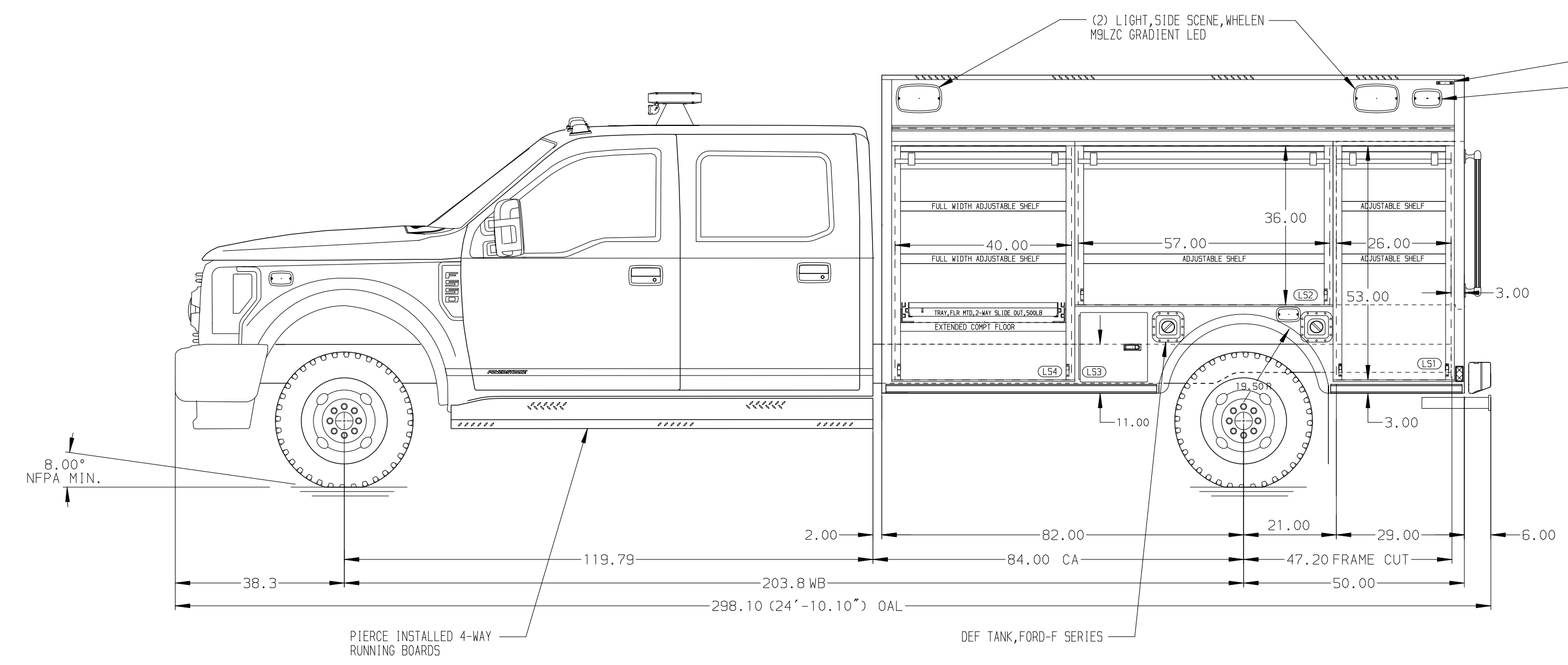
COMPARTMENT RS2 CONTAINS:
 - (1) SHELF, ADJUSTABLE, 500LB CAP, STANDARD DEPTH COMPT

COMPARTMENT RS4 CONTAINS:
 - (1) TRAY, FLOOR MOUNTED, UTILITY, TWO WAY SLIDE-OUT, 500LB, 3 SIDES, FULL TRANS
 - (2) SHELF, ADJUSTABLE, 500LB CAP, 1/2 DEPTH OF TRANSVERSE COMPT
 - (1) EXTENDED COMPARTMENT FLOOR BOLT IN STYLE



REAR COMPARTMENT B1 CONTAINS THE FOLLOWING:

- (1) FLOOR MOUNTED TRAY WITH SLIDEMASTER SLIDES

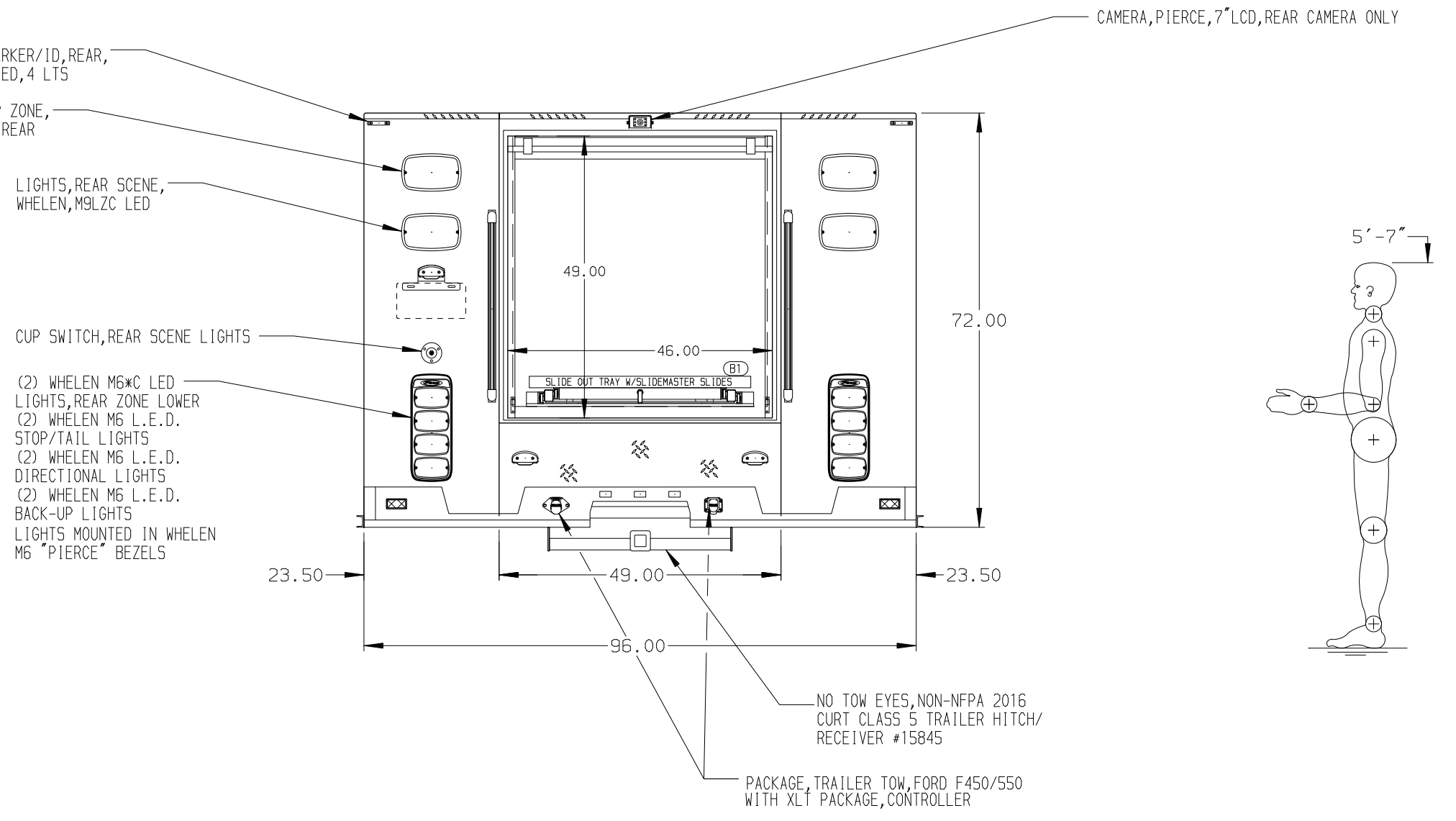


LEFT SIDE COMPARTMENTS CONTAIN THE FOLLOWING:

COMPARTMENT LS1 CONTAINS:
 - (2) SHELVES, ADJUSTABLE, 500LB CAP, STANDARD DEPTH COMPT

COMPARTMENT LS2 CONTAINS:
 - (1) SHELF, ADJUSTABLE, 500LB CAP, STANDARD DEPTH COMPT

COMPARTMENT LS4 CONTAINS:
 - (1) TRAY, FLOOR MOUNTED, UTILITY, TWO WAY SLIDE-OUT, 500LB, 3 SIDES, FULL TRANS
 - (2) SHELF, ADJUSTABLE, 500LB CAP, 1/2 DEPTH OF TRANSVERSE COMPT
 - (1) EXTENDED COMPARTMENT FLOOR BOLT IN STYLE



ALUMINUM BODY

NOTE
 DIMENSIONS SHOWN ARE APPROXIMATE AND ARE SUBJECT TO MINOR DEVIATIONS AS MAY OCCUR OR BE NECESSARY IN CONSTRUCTION. MINOR DETAILS NOT SHOWN.

		JOB NO.	37272
		DATE	22AUG22
MANUFACTURING INC. BRADENTON, FLORIDA		SCALE	1:24
		DRAWN BY	JLA
TITLE 11' RESCUE, NON-WALK-IN		FOR	OREGON STATE FIRE MARSHAL SALEM, OREGON
		CHK'D BY	RWI
CHASSIS DATA FORD MODEL F-550 4X4		SHEET NO.	1 OF 1
		SHEET SIZE	D
DRWG. NO.		37272AD	

REV.	DATE	BY	CHK'D
-	-	-	-