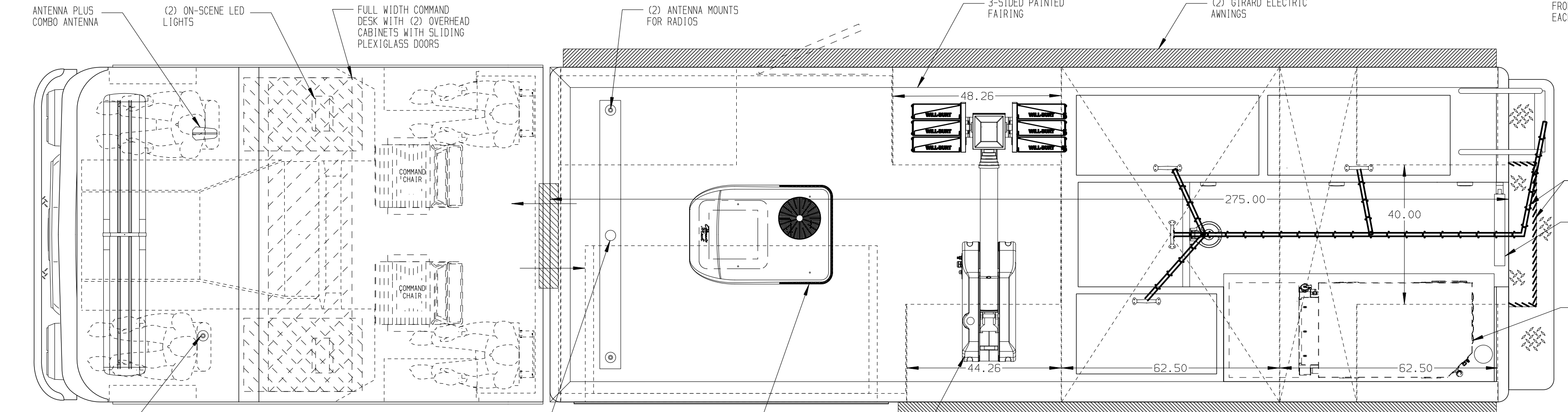
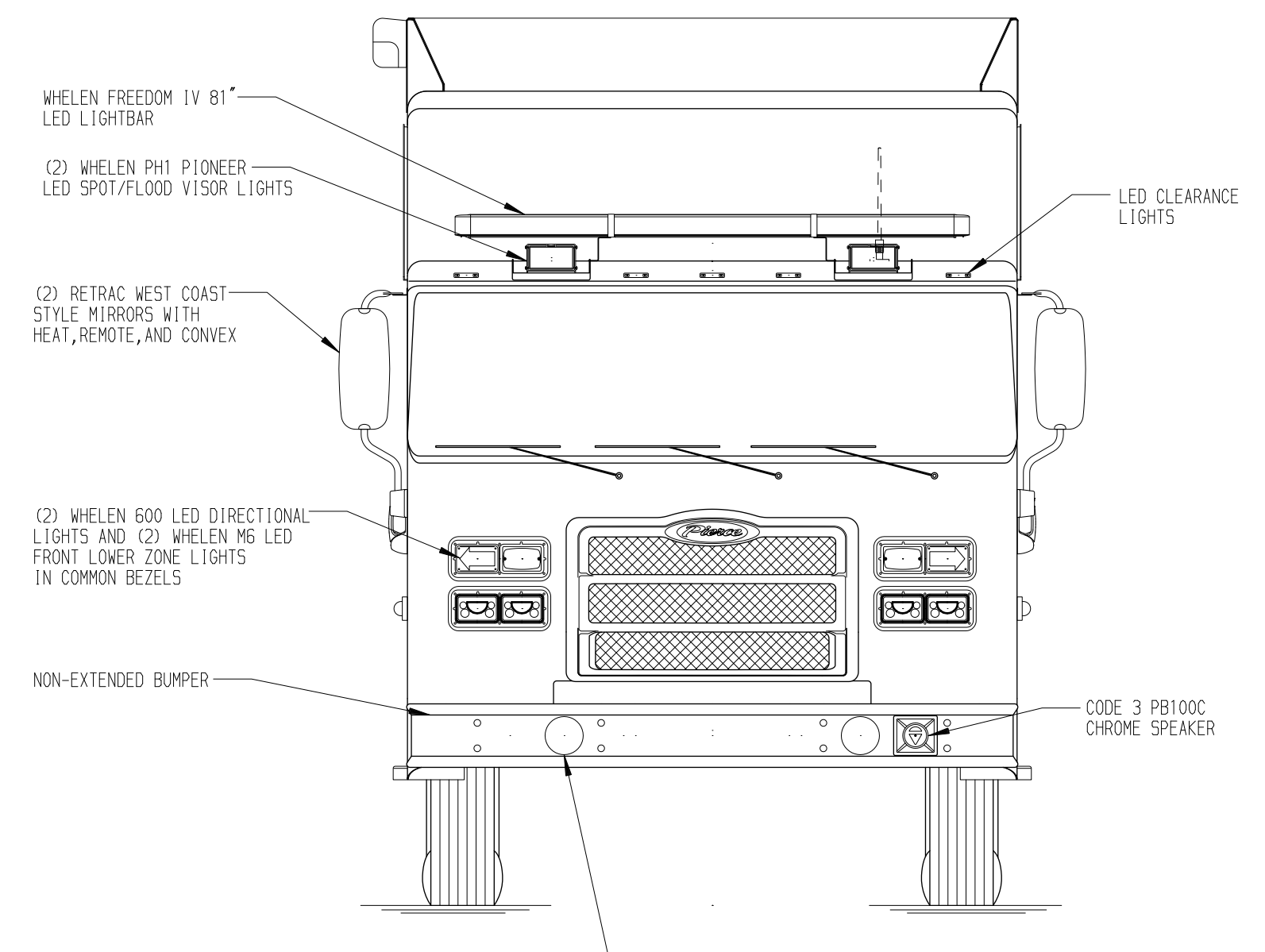
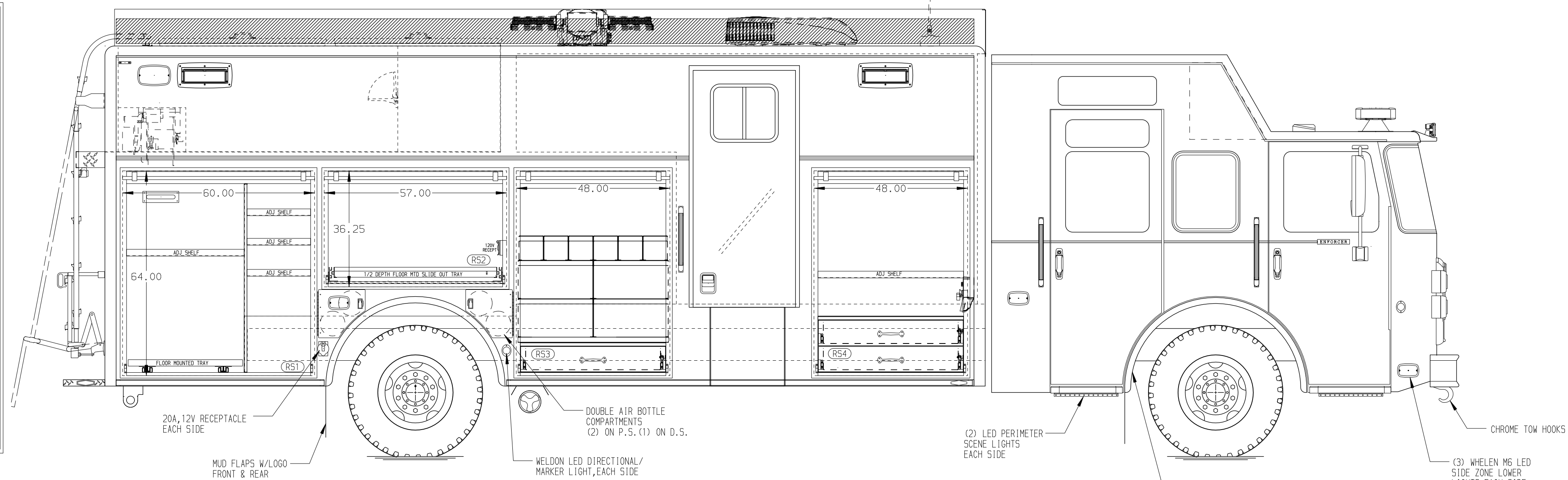


**RIGHT SIDE COMPARTMENTS CONTAIN THE FOLLOWING:**

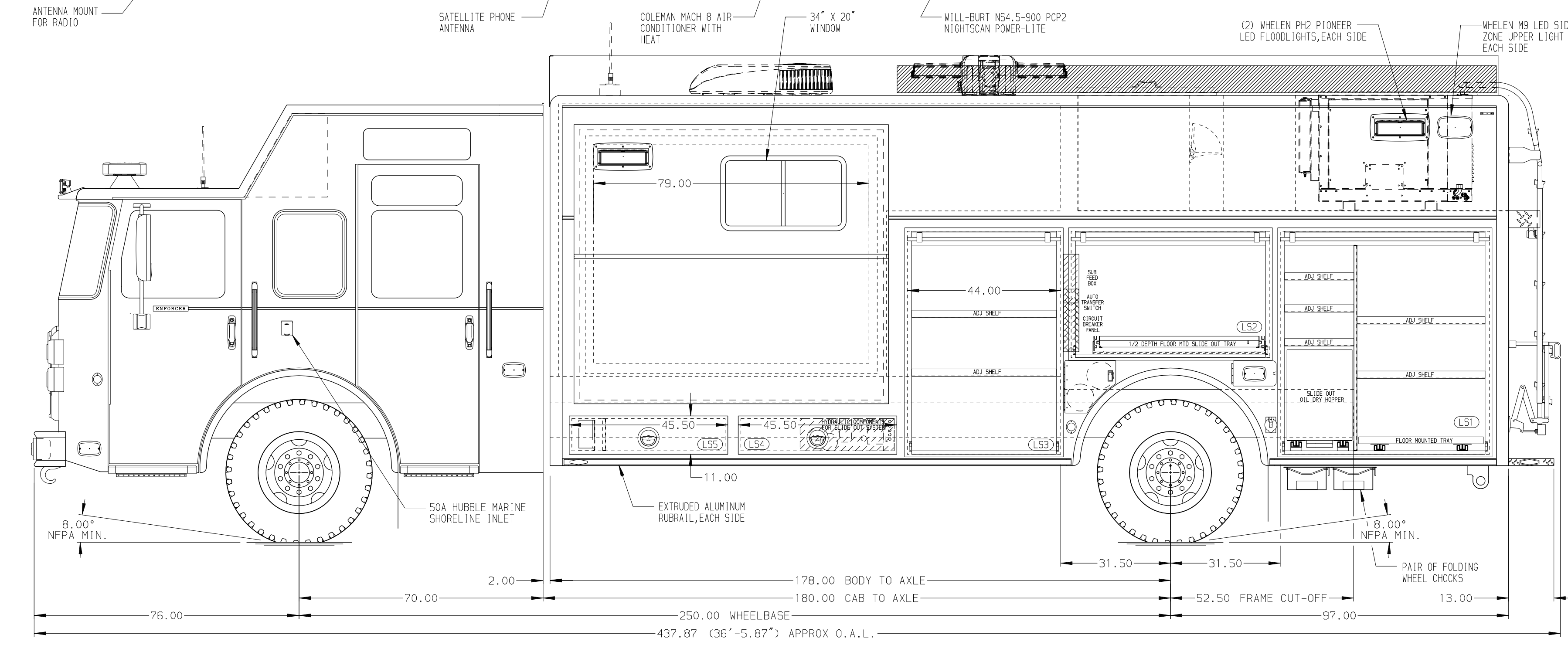
- COMPARTMENT R51 CONTAINS:
  - (1) VERTICAL COMPARTMENT DIVIDER
  - (3) 1/2 DEPTH ADJ SHELVES
  - (1) ELECTRIC CORD REEL WITH 150' OF 12/3 YELLOW CORD
  - (1) STD DEPTH FLOOR MOUNTED TRAY
  - (1) STD DEPTH ADJ SHELF
  - (1) REAR WALL COMPARTMENT DIVIDER
- COMPARTMENT R52 CONTAINS:
  - (1) 1/2 DEPTH FLOOR MTD SLIDE OUT TRAY
- COMPARTMENT R53 CONTAINS:
  - (1) SLIDE OUT TOOL DRAWER
  - (1) 15/20A, 120V 4-PLACE RECEPTACLE
  - (1) RACK FOR 6 SCBA BOTTLES
  - (1) RACK FOR 4 SPECIAL SIZE COMPARTMENTS
- COMPARTMENT R54 CONTAINS:
  - (1) CAB LIFT CONTROLLER
  - (1) 2-DRAWER SLIDE OUT CABINET
  - (1) STD DEPTH ADJ SHELF
  - (1) NIGHT SCAN CONTROLLER



**REAR COMPARTMENT CONTAINS THE FOLLOWING:**

COMPARTMENT B1 CONTAINS:

- (2) SPECIAL DEPTH ADJ SLIDE OUT TRAYS
- (1) 3" LIP AT EDGE OF FRAME
- .25" THICK POLY ON TOP OF FRAME RAILS



**LEFT SIDE COMPARTMENTS CONTAIN THE FOLLOWING:**

COMPARTMENT L51 CONTAINS:

- (1) VERTICAL COMPARTMENT DIVIDER
- (3) 1/2 DEPTH ADJ SHELVES
- (1) STD DEPTH FLOOR MOUNTED TRAY
- (1) SLIDE OUT OIL DRY HOPPER
- (2) STD DEPTH ADJ SHELVES
- (1) REAR WALL COMPARTMENT DIVIDER

COMPARTMENT L52 CONTAINS:

- (1) 1/2 DEPTH FLOOR MTD SLIDE OUT TRAY
- (1) CIRCUIT BREAKER PANEL
- (1) GENERATOR METER PANEL
- (1) SUB FEED BOX

COMPARTMENT L53 CONTAINS:

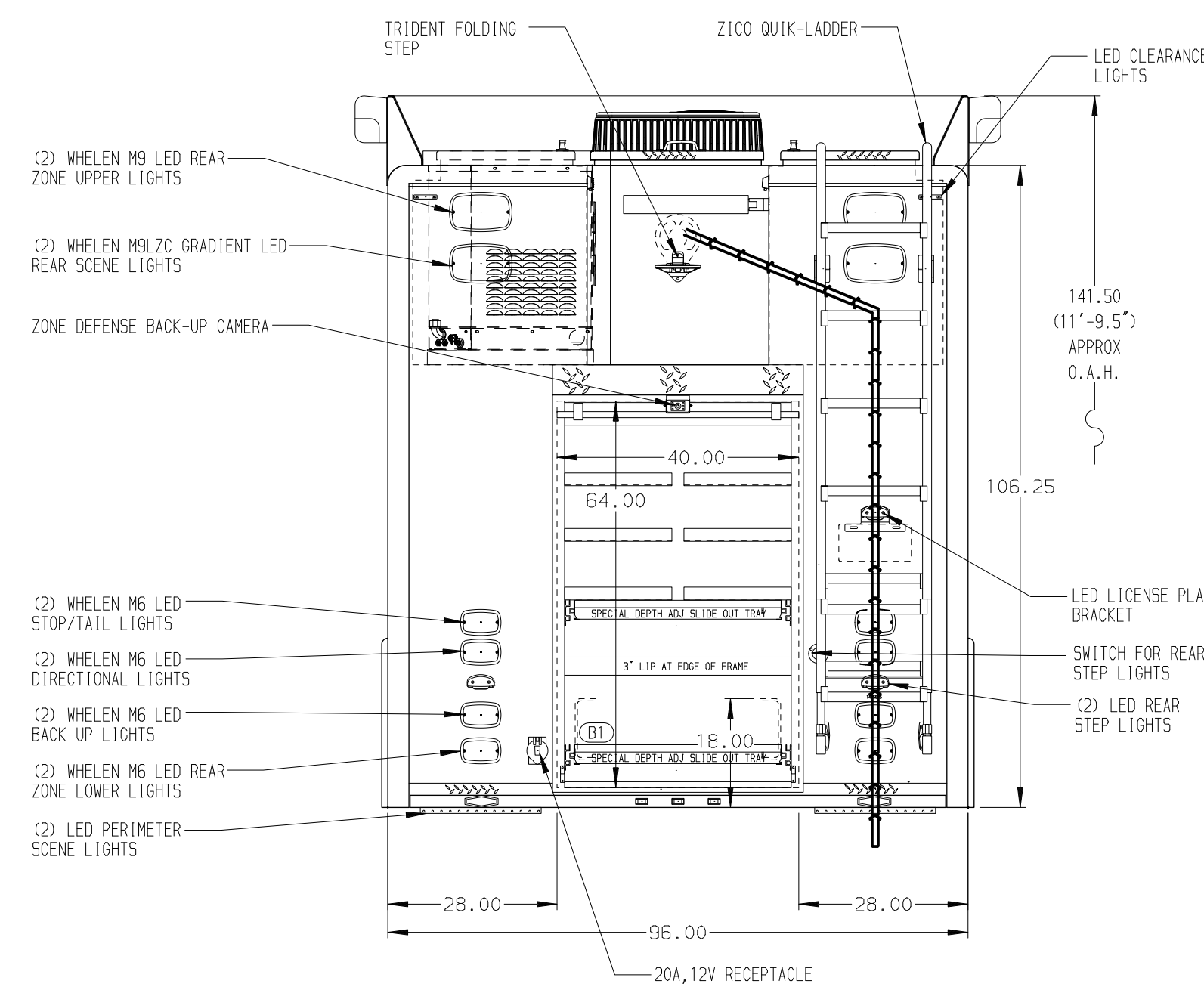
- (2) STD DEPTH ADJ SHELVES

COMPARTMENT L54 CONTAINS:

- 

COMPARTMENT L55 CONTAINS:

- (1) PROGRESSIVE DYNAMICS POWER CONVERTER
- (1) VERTICAL COMPARTMENT DIVIDER



**NOTE**  
DIMENSIONS SHOWN ARE APPROXIMATE AND ARE SUBJECT TO MINOR DEVIATIONS AS MAY OCCUR OR BE NECESSARY IN CONSTRUCTION. MINOR DETAILS NOT SHOWN.

- NOTES:**
- AIR INLET WITH DISCONNECT COUPLING LOCATED IN DRIVER'S SIDE STEP WELL OF CAB
  - FLOOR IN CAB AND CREW CAB TO BE PADDED RUBBER
  - 2-DRAWER C-TECH CABINET BELOW CREW CAB DESK ON THE DRIVER'S SIDE
  - 20A, 120V DUPLEX RECEPTACLE LOCATED AT THE COMMAND DESK IN THE CAB
  - 5/5" L-SHAPED GUARD ON ALL BODY ROLL-UP DOORS
  - PIERCE LED LIGHT STRIPS IN ALL BODY AND HATCH COMPARTMENTS
  - 15A, 120V 5-PLACE RECEPTACLE LOCATED IN COMMAND CAB

MAXIMUM O.A.H. 11'-9.5"

**CUSTOMER APPROVAL**

APPROVED BY: \_\_\_\_\_  
DATE: \_\_\_\_\_



JOB NO.	37273
SCALE	1:24
DATE	
DRAWN BY	DHE
CHECKED BY	CDK
SHEET SIZE	D
SHEET NO.	1 OF 1

CLEAR DOOR WIDTH KEY		CHASSIS DATA		TITLE
AMOR ROLL UP DOORS:	-2 1/4"	02SEP22	DHE CDK	HEAVY DUTY RESCUE WALKIN/NON-WALKIN COMBO
GORTITE ROLL UP DOORS:	-2 1/2"	26JUL22	DHE JGO	OREGON STATE FIRE MARSHAL OREGON STATE
PIERCE DOUBLE LIP DOORS:	-4 1/4"	19MAY22	DHE CDK	
PIERCE LIFT-UP LIP DOORS:	-3 1/2"			
(EX: 60" F-F - 2 1/4" = 57 3/4" CLEAR) (F-F) = FRAME TO FRAME		REV	DATE	DWG NO.
			BY	37273AD-SH1
			CH	

DWG NO. 37273AD-SH1