

**PUMPER BODY**

Medium Aluminum 2nd Gen Pumper

**CHASSIS**

Sober FR Chassis

**CHASSIS AXLE, FRONT, CUSTOM**

18,000 Lb Dana Axle

**AXLE, REAR**

27,000 Lb Dana Axle

**ENGINE**

450 HP Cummins L9 Engine

**TRANSMISSION**

Allison 5th Gen, 3000 EVS P

**BUMPER**

19" Extended Stainless Steel

**CAB**

6010 Sober FR Cab

**BODY WATER TANK**

1000 Gallon Poly Water Tank

**COMPT, PUMPER, REAR**

51.25" FF RollUp Rear Compt

**COMPT, PUMPER, LEFT SIDE**

152" RollUp Full Height Front & Rear FDLR

**COMPT, PUMPER, RIGHT SIDE**

152" RollUp Full Height Front & Rear FDLR

**FIRE SUPPRESSION PUMPHOUSE**

45" Control Zone Side Mount

**PUMP**

1500 GPM Waterous CSU

**CROSSLAYS, 1.50"**

1.50" Crosslays Not Required

**CROSSLAYS, 2.50"**

2.50" Crosslay Not Required

**SPEEDLAYS**

(2) 1.50" W/Troy Std. Capacity

**GENERATOR**

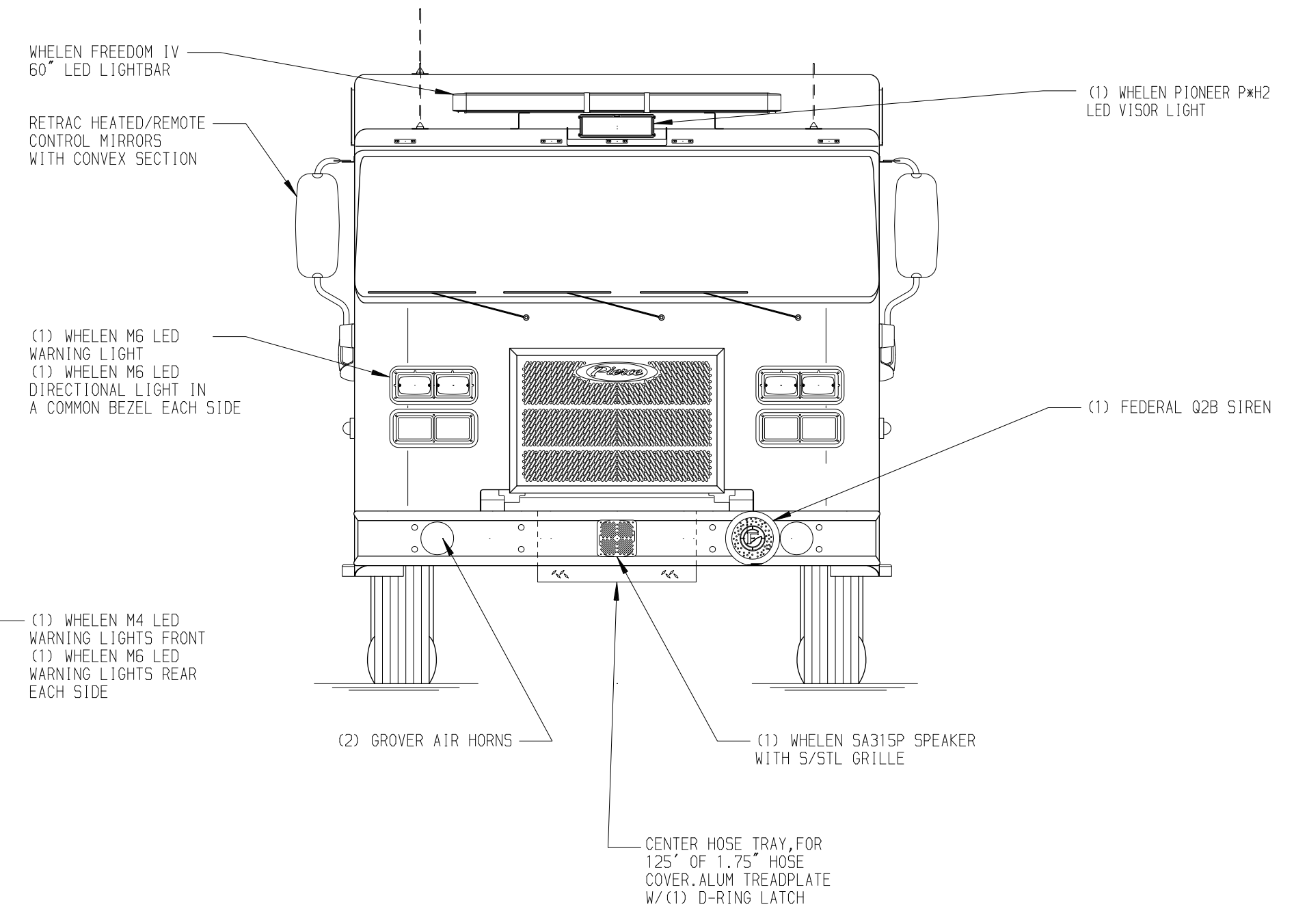
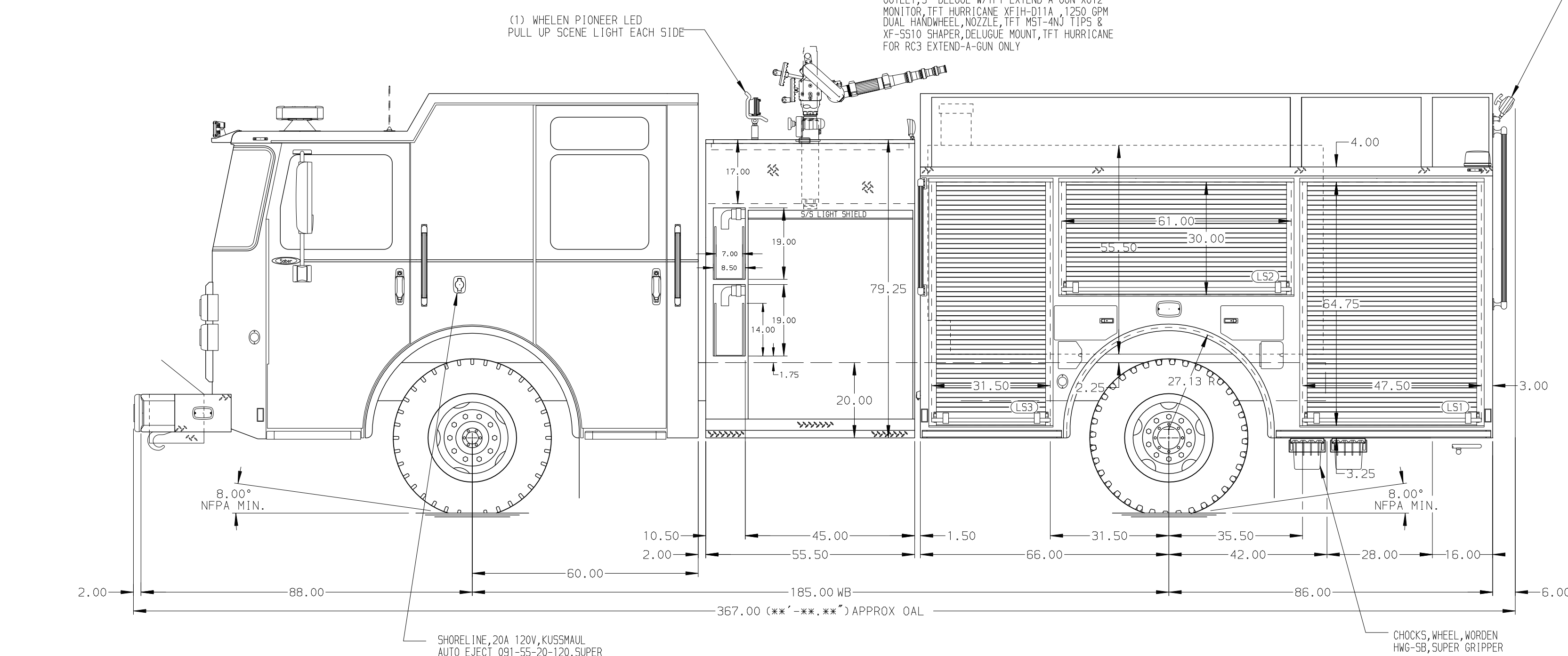
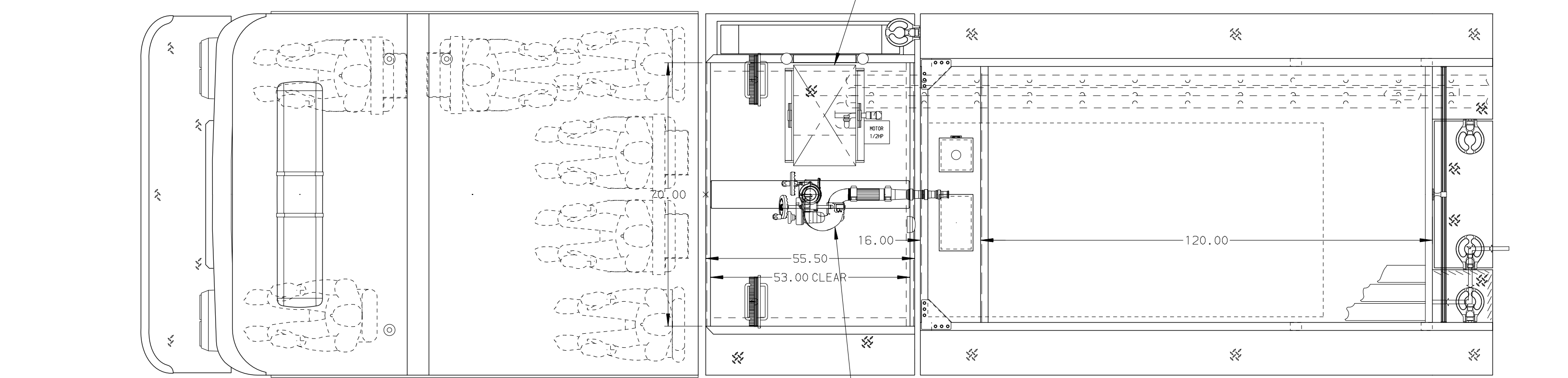
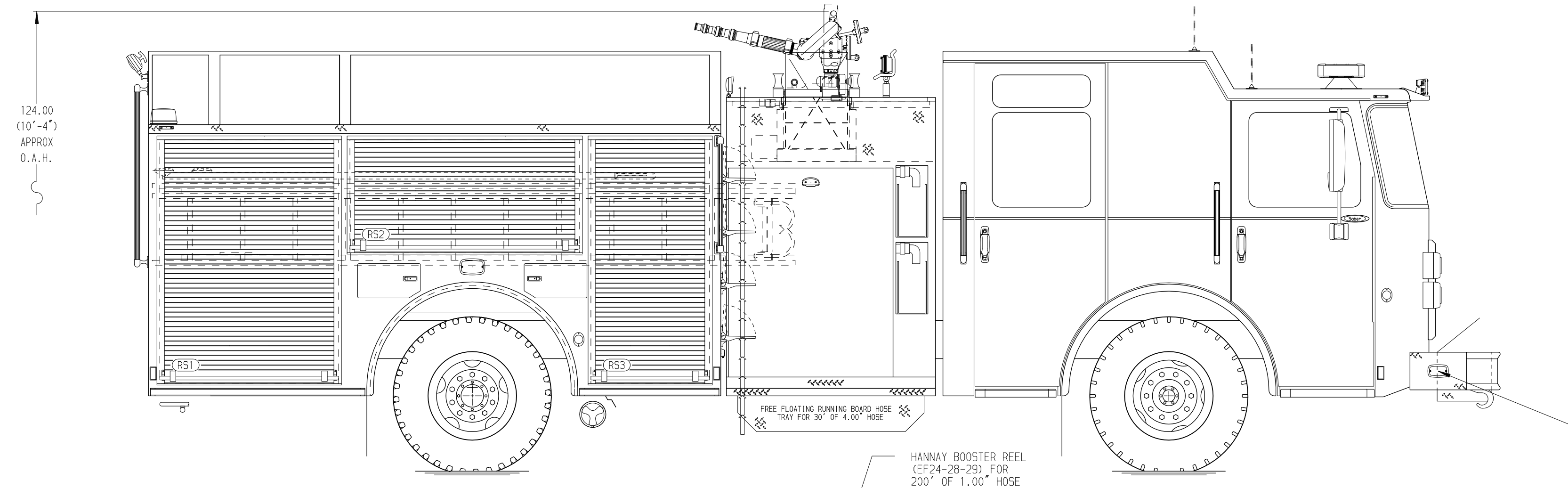
Generator Not Required

**Foam System**

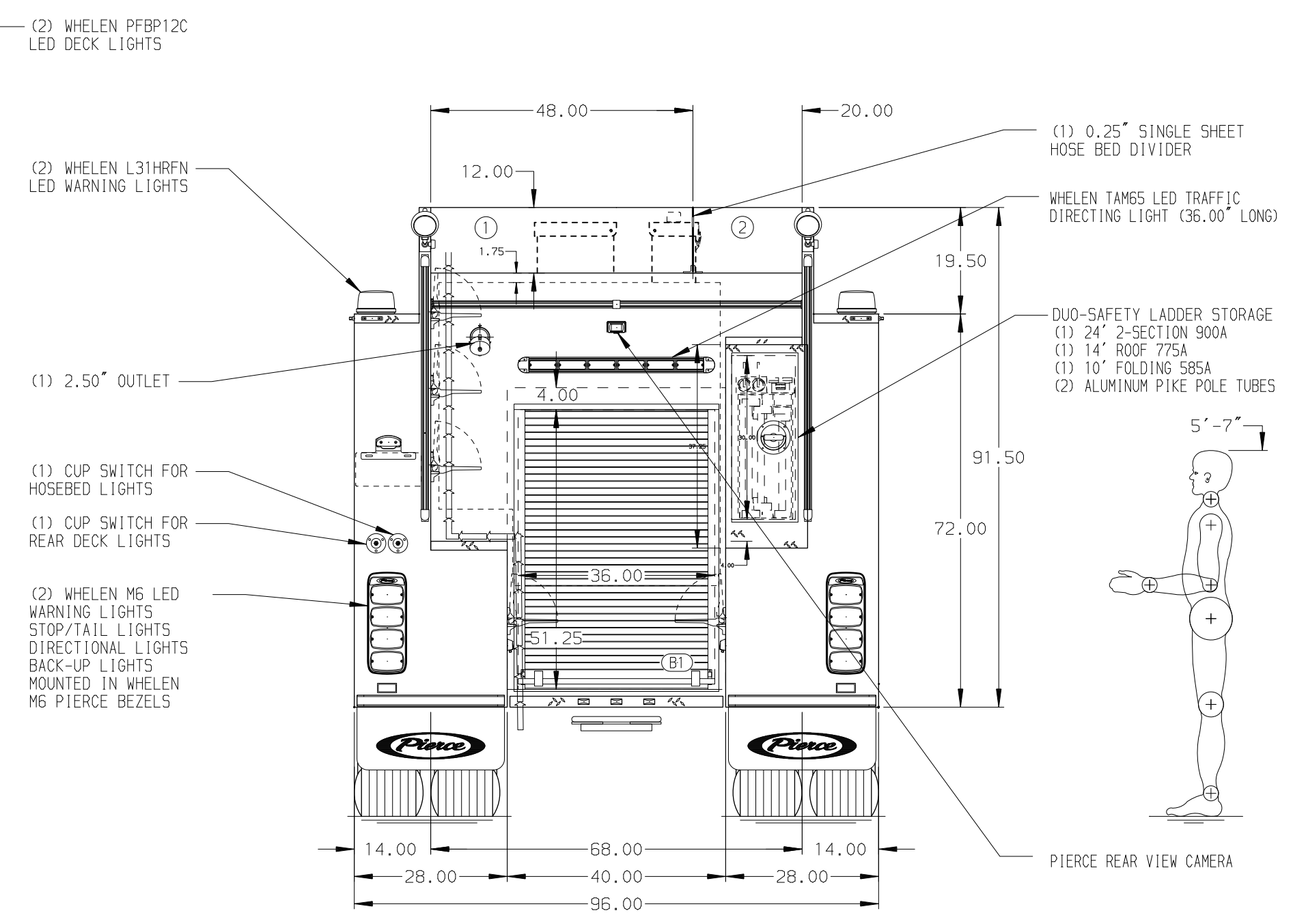
Foam System External

**Foam Cell**

30 Gallon Foam Cell



HOSEBED CAPACITY	
<b>BED 1</b>	1000' OF 4.00" D.J. POLY HOSE
<b>BED 2</b>	400' OF 3.00" D.J. POLY HOSE



**NOTE**  
DIMENSIONS SHOWN ARE APPROXIMATE AND ARE SUBJECT TO MINOR DEVIATIONS AS MAY OCCUR OR BE NECESSARY IN CONSTRUCTION. MINOR DETAILS NOT SHOWN.

REV	DATE	BY	CH	SABER FR
04JAN22	JLA	NAS		
27OCT21	JLA	NAS		

<b>Pierce MANUFACTURING INC.</b>		JOB NO.	37276
TITLE		SCALE	DATE
Pierce Pumper Approval Drawing		1:24	
MAKE		DRAWN BY	10SEP21
PIERCE		MMF	
MODEL		CHECKED BY	10SEP21
SABER FR		COL	
DWG NO.		SHEET SIZE	SHEET NO.
37276AD		D	1 OF 1