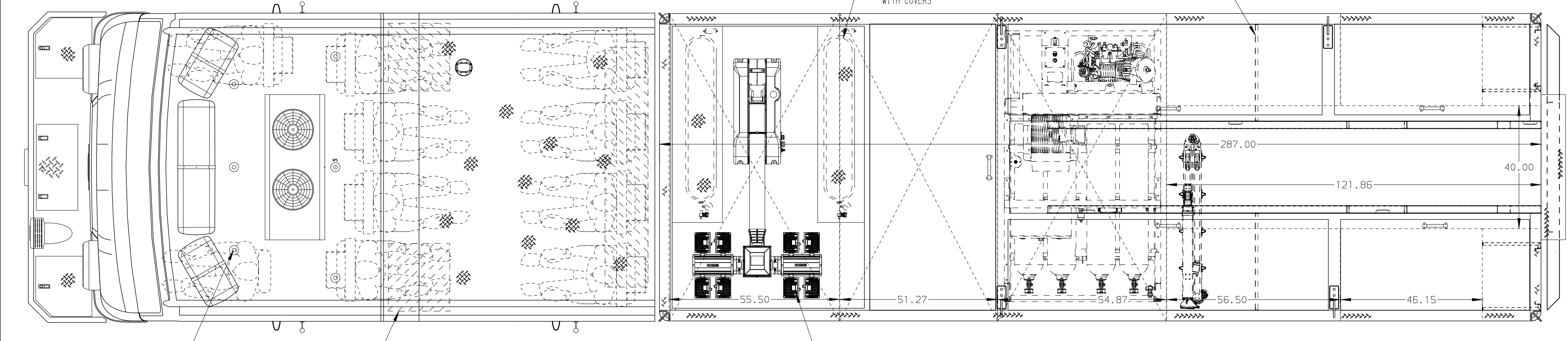
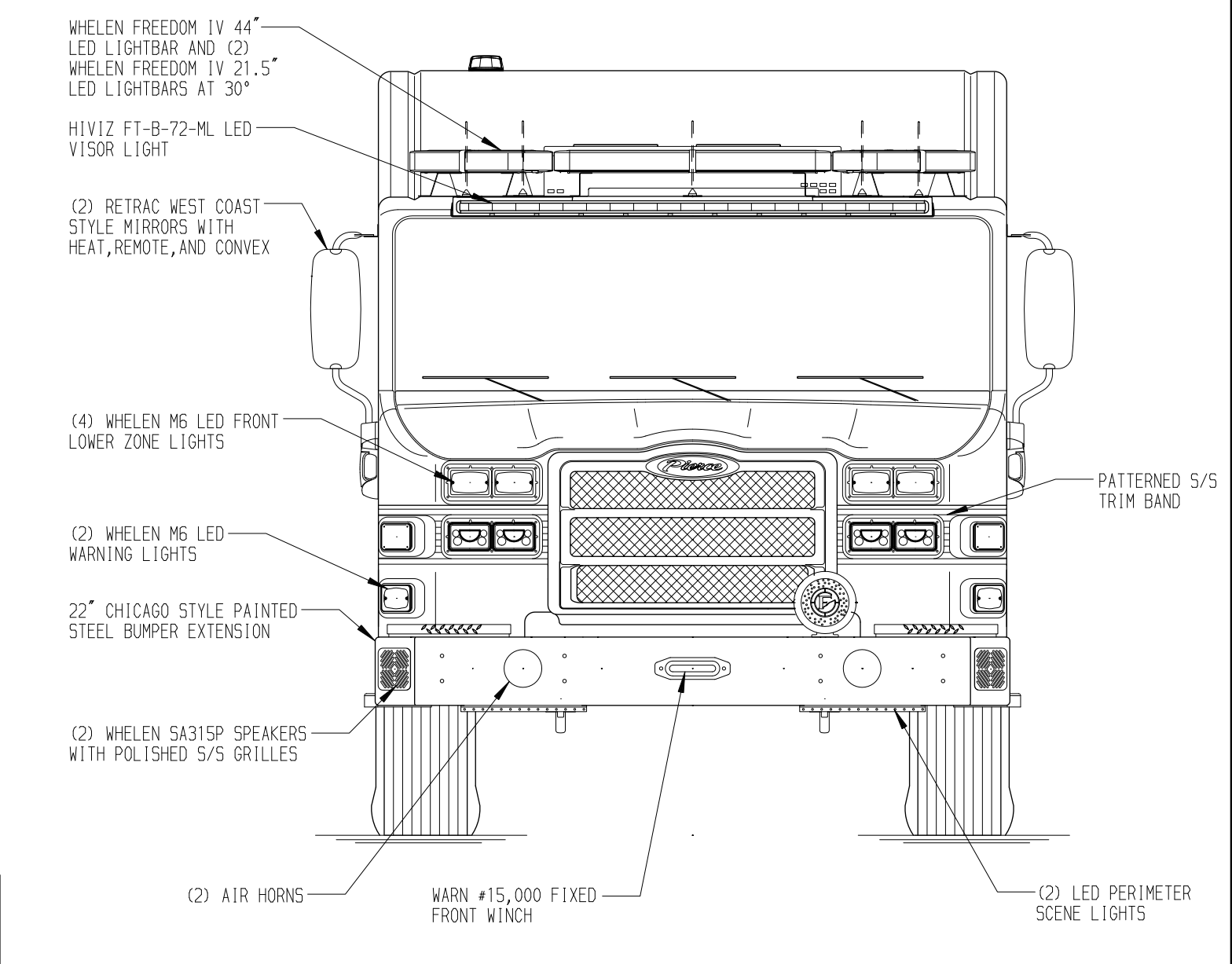
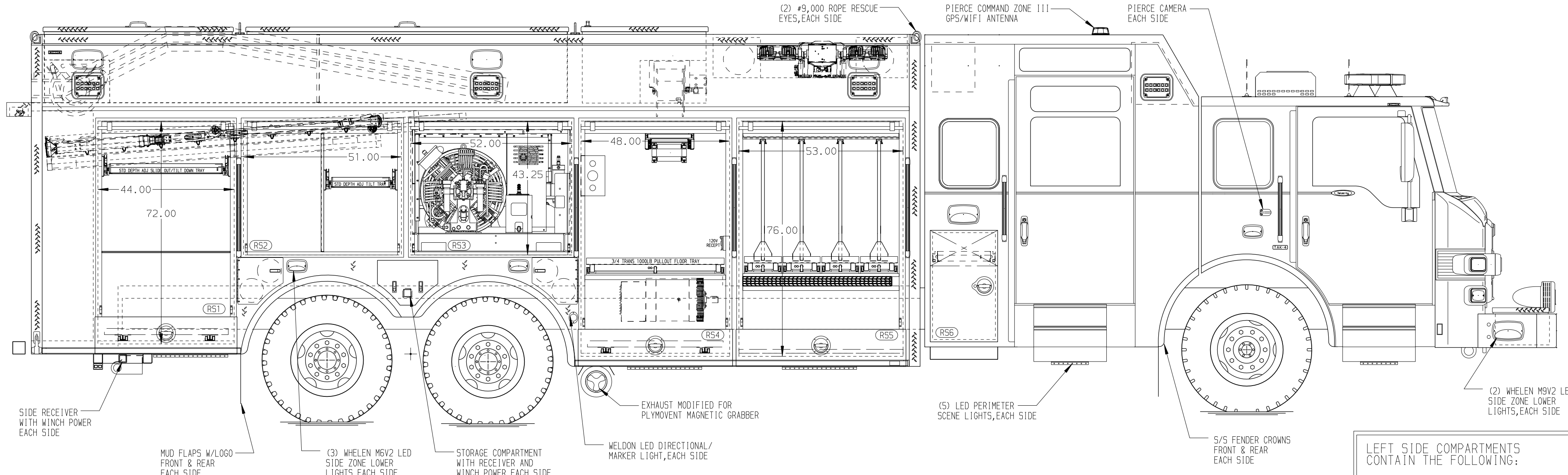
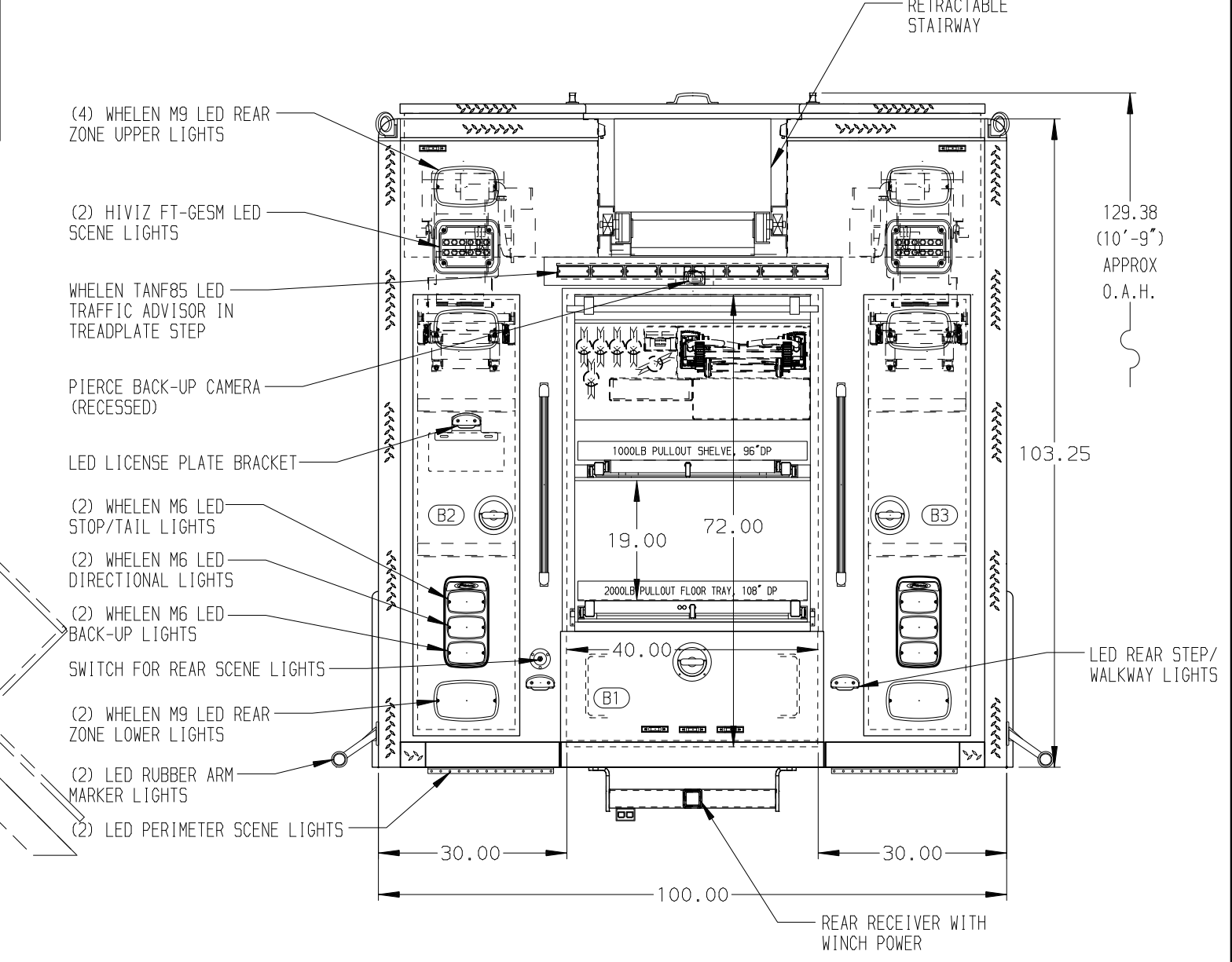
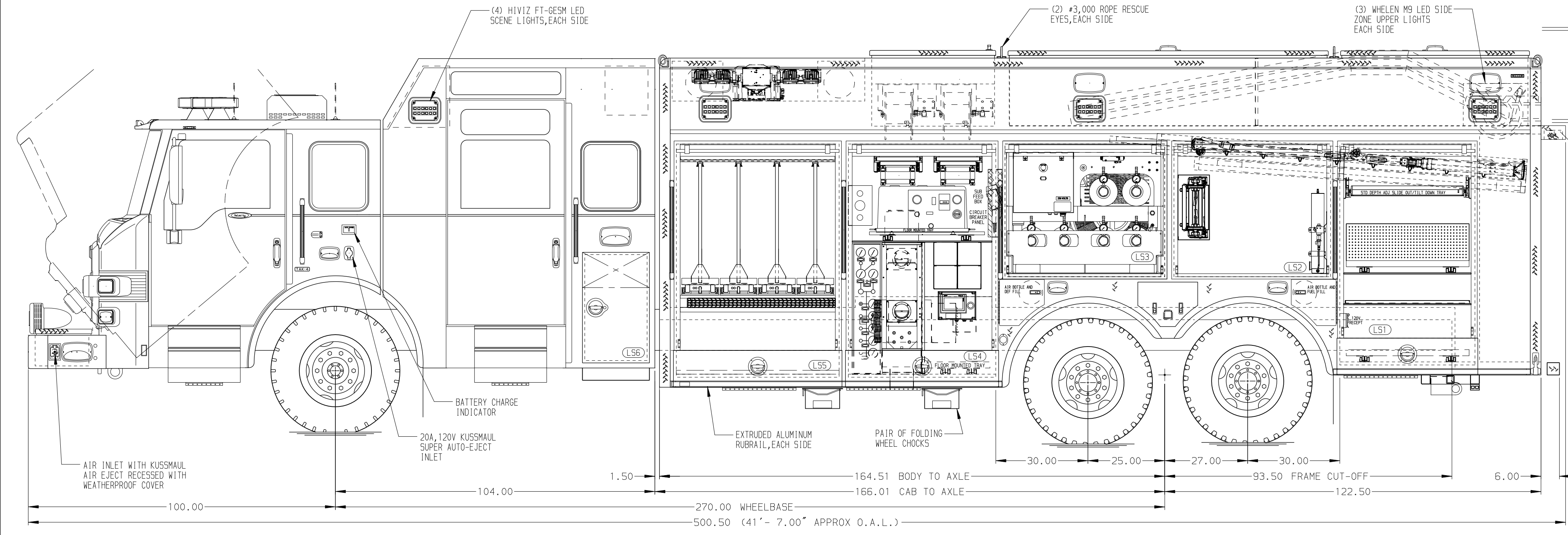


- RIGHT SIDE COMPARTMENTS CONTAIN THE FOLLOWING:**
- COMPARTMENT RS1 CONTAINS:
 - (1) STD DEPTH ADJ SLIDE OUT/TILT TRAY
 - (1) FLOOR MOUNTED TRAY
 - (1) 3/8" ADJUSTABLE SHELF
 - COMPARTMENT RS2 CONTAINS:
 - (1) VERTICAL COMPARTMENT DIVIDER
 - (1) STD DEPTH ADJ SLIDE OUT/TILT TRAY
 - COMPARTMENT RS3 CONTAINS:
 - (1) BAUER BREATHING AIR COMPRESSOR
 - (6) 6000 ASME AIR STORAGE BOTTLES
 - COMPARTMENT RS4 CONTAINS:
 - (1) HORIZONTAL FLOOR EXTENSION
 - (1) 3/4 DEPTH SLIDEMASTER TRAY
 - (1) FLOOR MOUNTED TRAY
 - SPOT/FLOOD LIGHT SWITCHES
 - (1) 15/20A, 120V DUPLEX RECEPTACLE
 - (1) LOW PRESSURE AIR CONTROL PANEL
 - (1) SLIDE OUT ROLLER GUIDE BRACKET
 - COMPARTMENT RS5 CONTAINS:
 - (1) HORIZONTAL FLOOR EXTENSION
 - (1) TRANSVERSE FALSE FLOOR
 - (1) RACK FOR PLYWOOD (3'H)
 - (4) 2-WAY SLIDEMASTER TRAYS WITH TOOLBOARDS
 - ANGLED FLOOR FOR CRIBBING
 - COMPARTMENT RS6 CONTAINS:
 - (1) 3/4 DEPTH ADJ SLIDE OUT TRAY



- LEFT SIDE COMPARTMENTS CONTAIN THE FOLLOWING:**
- COMPARTMENT LS1 CONTAINS:
 - (1) STD DEPTH ADJ SLIDE OUT/TILT TRAY
 - (1) FLOOR MTD TRAY WITH PEGBOARD SIDES
 - (1) FLOOR MOUNTED TRAY
 - (2) 3/8" ADJUSTABLE PLATES
 - (1) 1" RETENTION LIP ON PLATE
 - (1) 15/20A, 120V DUPLEX RECEPTACLE
 - COMPARTMENT LS2 CONTAINS:
 - (1) RACK FOR LITTLE GIANT OVERHAUL LADDER
 - BREATHING AIR SYSTEM PURIFIERS
 - COMPARTMENT LS3 CONTAINS:
 - (1) BAUER BREATHING AIR COMPRESSOR
 - (6) 6000 ASME AIR STORAGE BOTTLES
 - COMPARTMENT LS4 CONTAINS:
 - (1) CIRCUIT BREAKER PANEL
 - (1) SUB FEED BOX
 - (1) REINFORCED VERTICAL DIVIDER
 - (1) FLOOR MTD TRAY WITH SPECIAL SIDES
 - (1) FLOOR MOUNTED TRAY
 - (1) 3/8" ADJUSTABLE SHELF
 - (1) 4 BOTTLE SCBA RACK
 - SPOT/FLOOD LIGHT SWITCHES
 - (1) NIGHT SCAN CONTROLLER
 - (1) CASCADE SYSTEM CONTROL PANEL
 - (1) "SPACESAVER" 2-BOTTLE FILL ENCLOSURE
 - (1) BREATHING AIR BOOSTER PUMP
 - (1) BAUER COMPRESSOR CONTROLLER
 - (1) LOW PRESSURE AIR CONTROL PANEL
 - (1) HIGH PRESSURE AIR REEL W/200' OF HOSE
 - (1) LOW PRESSURE AIR REEL W/200' OF HOSE
 - (2) SLIDE OUT ROLLER GUIDE BRACKETS
 - COMPARTMENT LS5 CONTAINS:
 - (1) HORIZONTAL FLOOR EXTENSION
 - (1) TRANSVERSE FALSE FLOOR
 - (1) RACK FOR PLYWOOD (3'H)
 - (4) 2-WAY SLIDEMASTER TRAYS WITH TOOLBOARDS
 - ANGLED FLOOR FOR CRIBBING

- REAR COMPARTMENT CONTAINS THE FOLLOWING:**
- COMPARTMENT B1 CONTAINS:
 - (1) HORIZONTAL FLOOR EXTENSION
 - (1) #1,000 96" DP ADJ SLIDEMASTER TRAY
 - (1) #2,000 108" DP FLOOR MOUNTED SLIDEMASTER TRAY
 - (1) RACK FOR LITTLE GIANT OVERHAUL LADDER
 - (1) RACK FOR FAST BOARDS
 - (1) RACK FOR 6 PIKE POLES
 - (1) RACK FOR 12" FOLDING LADDER
 - COMPARTMENT B2 CONTAINS:
 - (2) SPECIAL DEPTH ADJUSTABLE SHELVES
 - (1) ELECTRIC CORD REEL WITH 200' OF 10/4 YELLOW CORD
 - (1) 15/20A, 120V DUPLEX RECEPTACLE
 - (1) SLIDE OUT ROLLER GUIDE BRACKET
 - COMPARTMENT B3 CONTAINS:
 - (2) SPECIAL DEPTH ADJUSTABLE SHELVES
 - (1) ELECTRIC CORD REEL WITH 200' OF 10/4 YELLOW CORD
 - (1) 15/20A, 120V DUPLEX RECEPTACLE
 - (1) SLIDE OUT ROLLER GUIDE BRACKET



NOTE
DIMENSIONS SHOWN ARE APPROXIMATE AND ARE SUBJECT TO MINOR DEVIATIONS AS MAY OCCUR OR BE NECESSARY IN CONSTRUCTION. MINOR DETAILS NOT SHOWN.

- NOTES:**
- ONAN 40kW THREE PHASE PTO DRIVEN GENERATOR LOCATED BETWEEN THE FRAME RAILS
 - ONSPOT AUTOMATIC TIRE CHAINS
 - KUSSMAUL BRAKE SYSTEM COMPRESSOR LOCATED BEHIND THE DRIVER'S SEAT
 - WARN #9,000 PORTABLE RECEIVER STYLE WINCH
 - POLISHED 5/S SCUFFPLATES ON CAB AND CREW CAB DOOR JAMBS
 - ALUMINUM TREADPLATE ON CREW CAB ROOF
 - FLOOR IN CAB AND CREW CAB TO BE ALUMINUM TREADPLATE
 - KUSSMAUL CHARGER LOCATED BEHIND THE DRIVER'S SEAT
 - ALUMINUM TREADPLATE ON ALL BODY CORNERS, ROOF EDGES, AND REAR FENDER PANELS
 - (2) RECEIVER STYLE #9,000 ROPE RESCUE ANCHORS
 - ALUMINUM TREADPLATE ON BODY COMPARTMENT FLOORS
 - 5/5 "L"-SHAPED GUARDS ON ALL BODY ROLL-UP DOORS
 - ELASTIC PULL STRAPS ON ALL BODY ROLL-UP DOORS
 - HIZIV LED LIGHTS IN ALL BODY AND HATCH COMPARTMENTS
 - TURTLE TILE MATTING ON SHELVES AND TRAYS AND HATCH COMPARTMENT FLOORS
 - VENTS IN ALL BODY HATCH COMPARTMENTS
 - 20A, 120V 6-PLACE RECEPTACLE LOCATED IN FORWARD FACING OVERHEAD CABINET

(SIDE ROLL AND FRONTAL IMPACT PROTECTION)

CUSTOMER APPROVAL

APPROVED BY: _____
DATE: _____

REV	DATE	BY	CH

Pierce MANUFACTURING INC.

JOB NO. 37285
SCALE 1:24
DATE _____

TITLE HEAVY DUTY RESCUE NON-WALKIN
FOR BRIDGEWATER FIRE DISTRICT #4
DRISCOLL, KEVIN
DWC NO. 37285AD
SHEET NO. 1 OF 1

CLEAR DOOR WIDTH KEY

DOOR TYPE	WIDTH
AMTOR ROLL UP DOORS	-1 7/8"
CORTITE ROLL UP DOORS	-2 3/4"
PIERCE DOUBLE LIP DOORS	-4 1/4"
PIERCE LIFT-UP LAP DOORS	-1 1/2"

(EX: 60" F-F - 1 7/8" = 58 1/8" CLEAR)
(F-F) = FRAME TO FRAME