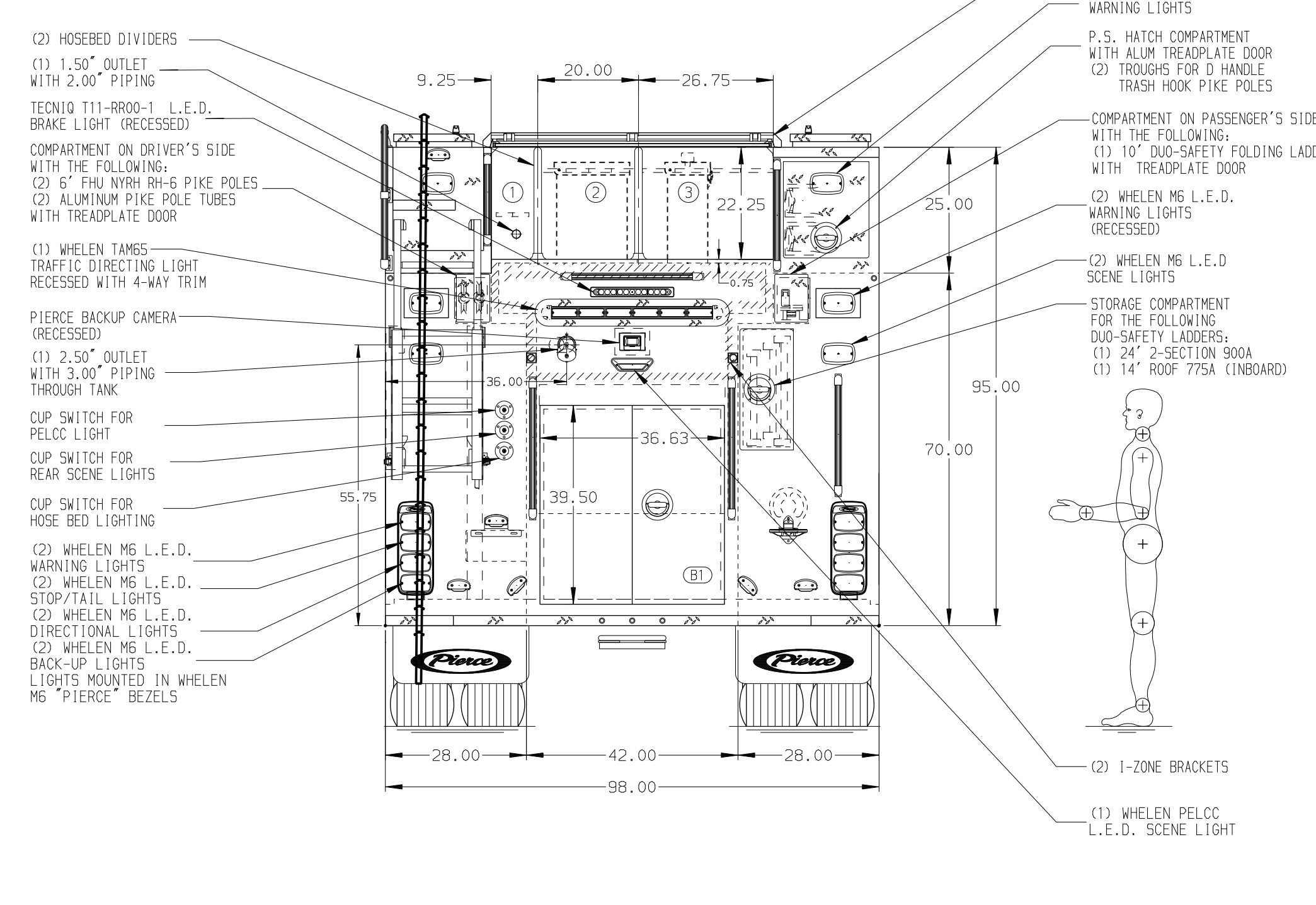
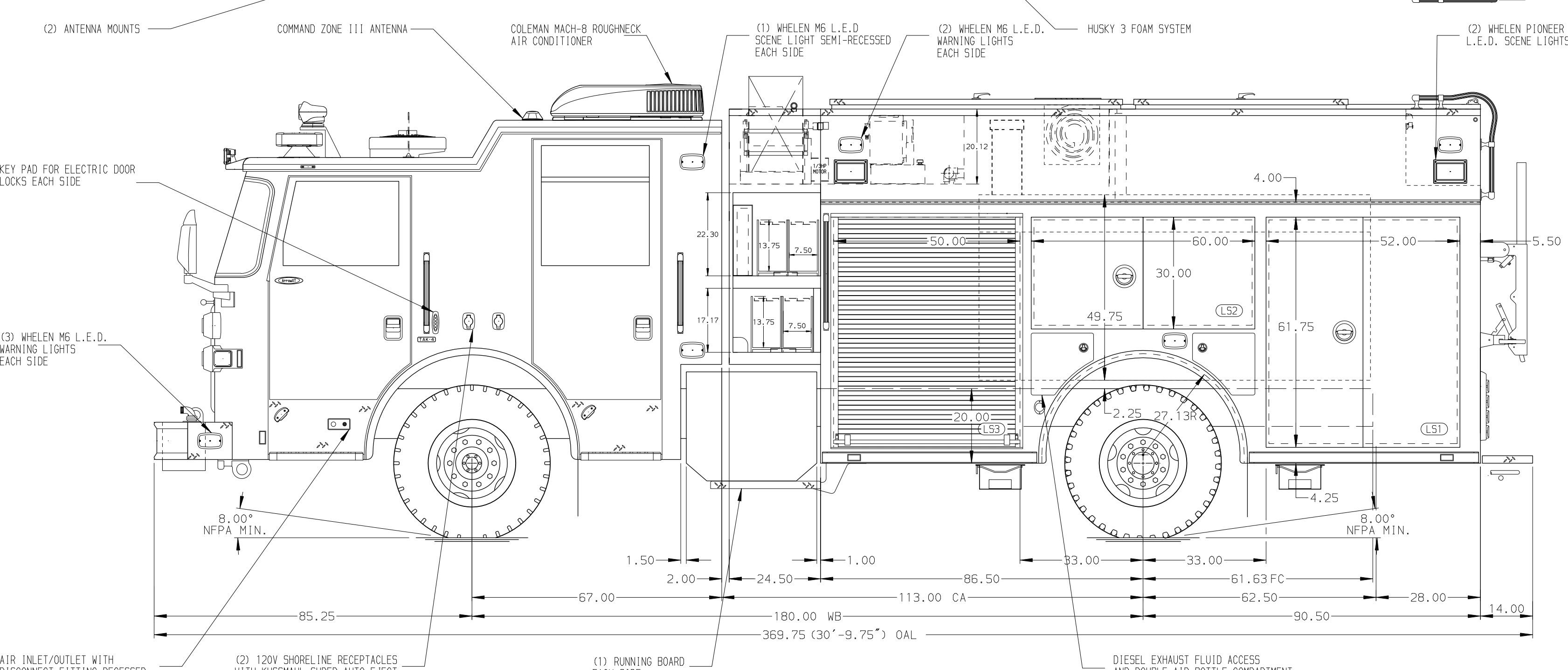


- HOSEBED CAPACITIES
- ① - 200' OF 1.50" D.J. POLY HOSE
 - ② - 700' OF 2.50" D.J. POLY HOSE
 - ③ - 700' OF 4.00" D.J. POLY HOSE



ALUMINUM BODY

SIDE ROLL AND FRONTAL IMPACT PROTECTION

NOTE
DIMENSIONS SHOWN ARE APPROXIMATE AND ARE SUBJECT TO MINOR DEVIATIONS AS MAY OCCUR OR BE NECESSARY IN CONSTRUCTION. MINOR DETAILS NOT SHOWN.

- 1. BATTERY CHARGER LOCATED BEHIND THE DRIVER'S SEAT
- 2. BATTERY CHARGER INDICATOR LOCATED NEAR D.S., SEAT RISER WITH BRACKET
- 3. DUAL L.E.D. LIGHT STRIPS LOCATED IN HOSE BED

REV	DATE	BY	CH	ARROW	XT
▽	03MAY23	JJB	DTJ		
▽	24JAN23	JJB	DTJ		
▽	24OCT22	JJB	DTJ		
▽	09SEP22	JJB	DTJ		

		JOB NO.	37309
		SCALE	1:24
TITLE 1500-D-780P, 750G WATER, 30G FOAM, 177" PUC RESCUE LADDERS THRU RS BODY, (2) XLAYS, (2) DEADLAYS, DELUGE		DATE	
		DRAWN BY	JJB
FOR VICTORVILLE FIRE DEPARTMENT VICTORVILLE, CALIFORNIA		CHECKED BY	WKL
		SHEET SIZE	D
DWG NO. 37309AD-SH1		SHEET NO.	1 OF 2