

Pumper, PUC

BODY

Pumper, PUC, Aluminum
CHASSIS
 Enforcer Chassis, PUC

CHASSIS
AXLE, FRONT, CUSTOM
 22,800 Lb TAK-4 Axle

AXLE, REAR
 31,000 Lb Dana Axle

ENGINE
 500 HP Cummins X12 Engine
TRANSMISSION
 Allison 5th Gen, 4000 EVS P

BUMPER
 26" Extended Stainless Steel

CAB
 7010 Enforcer Cab, PUC

BODY
WATER TANK
 1000 Gallon Poly Water Tank
COMPT, PUMPER, REAR
 39.50" FF Space Saver, PUC

COMPT, PUMPER, LEFT SIDE
 189" RollUp Full Height & Depth Front & Rear, PUC

COMPT, PUMPER, RIGHT SIDE
 189" RollUp Full Height & Depth Front & Rear, PUC

FIRE SUPPRESSION
PUMPHOUSE
 Control Zone, PUC

PUMP
 1500 GPM Pierce PUC
CROSSLAYS, 1.50"
 (2) 1.50", Poly Trays, 200"

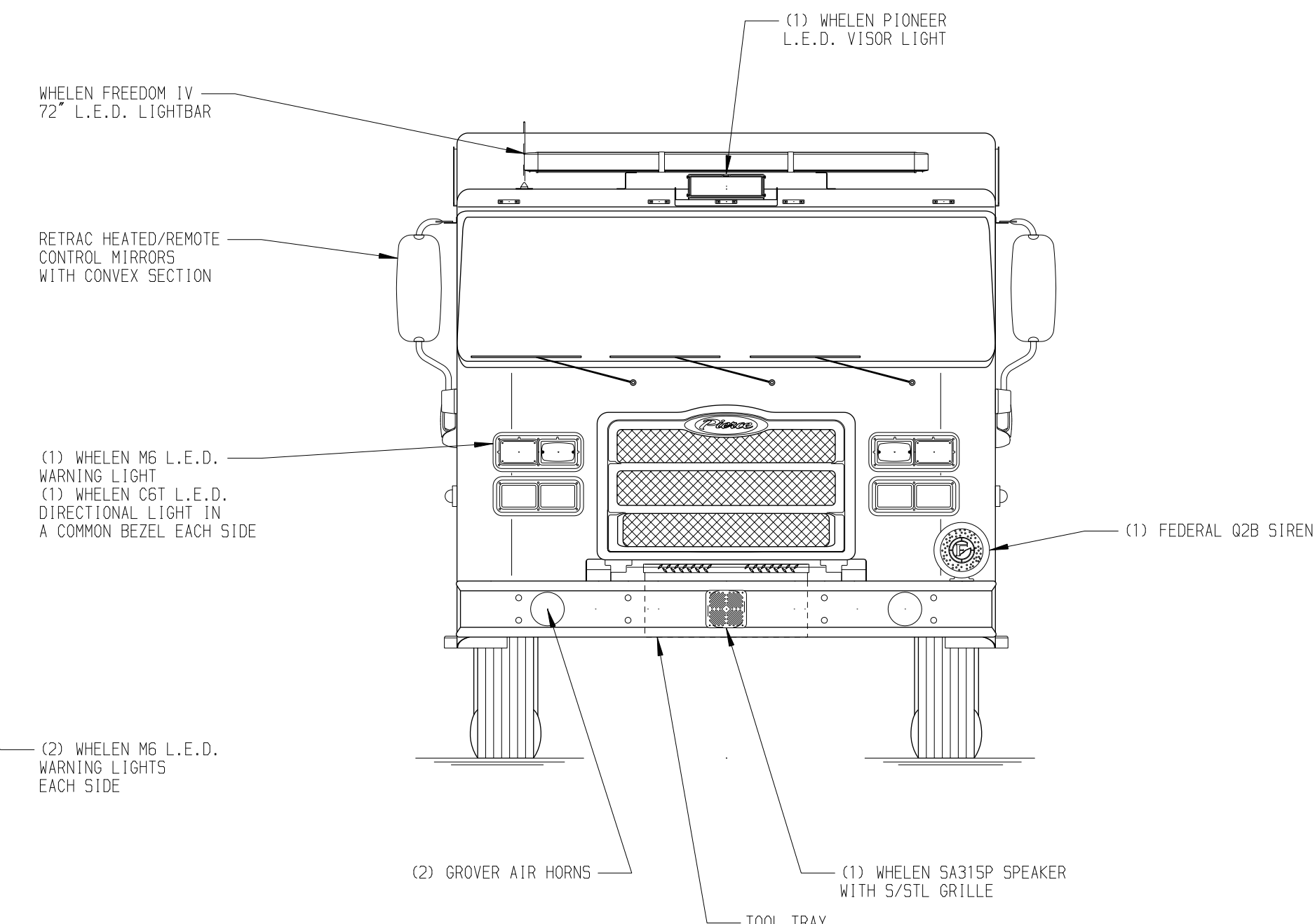
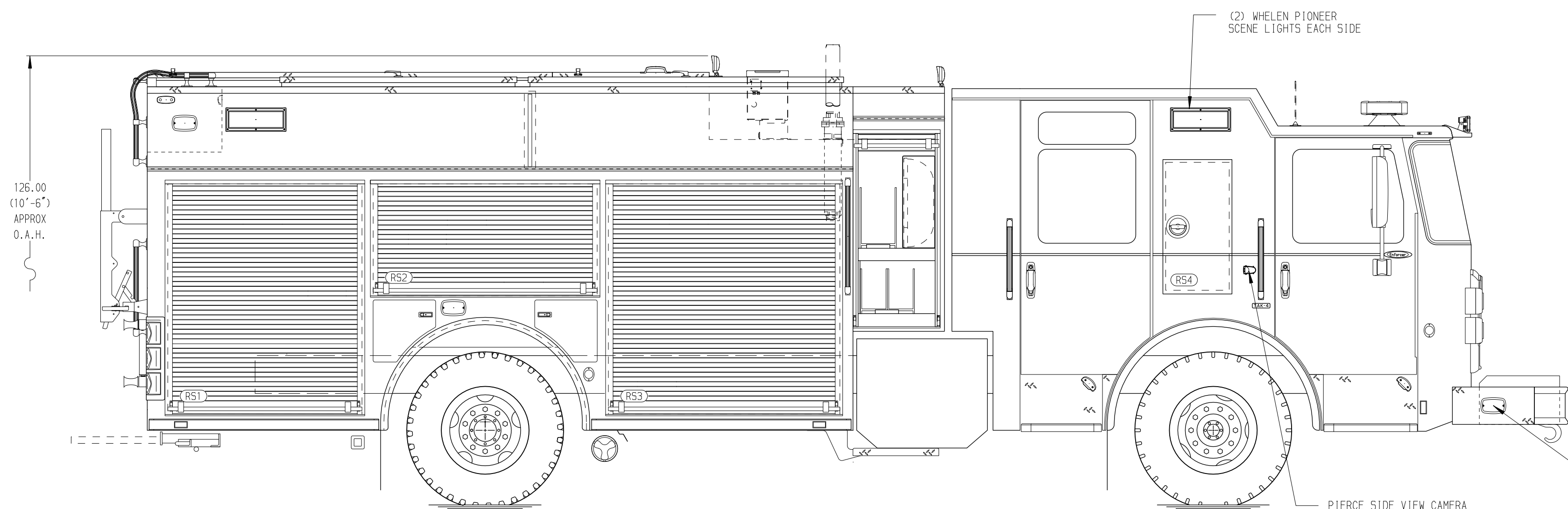
CROSSLAYS, 2.50"
 (1) 2.50", Poly Tray, 200"

GENERATOR
 Generator Not Required
Foam System
 Husky 3 Single Agent Foam System
Foam Cell
 30 Gallon Foam Cell, Not Reduced Water, PUC

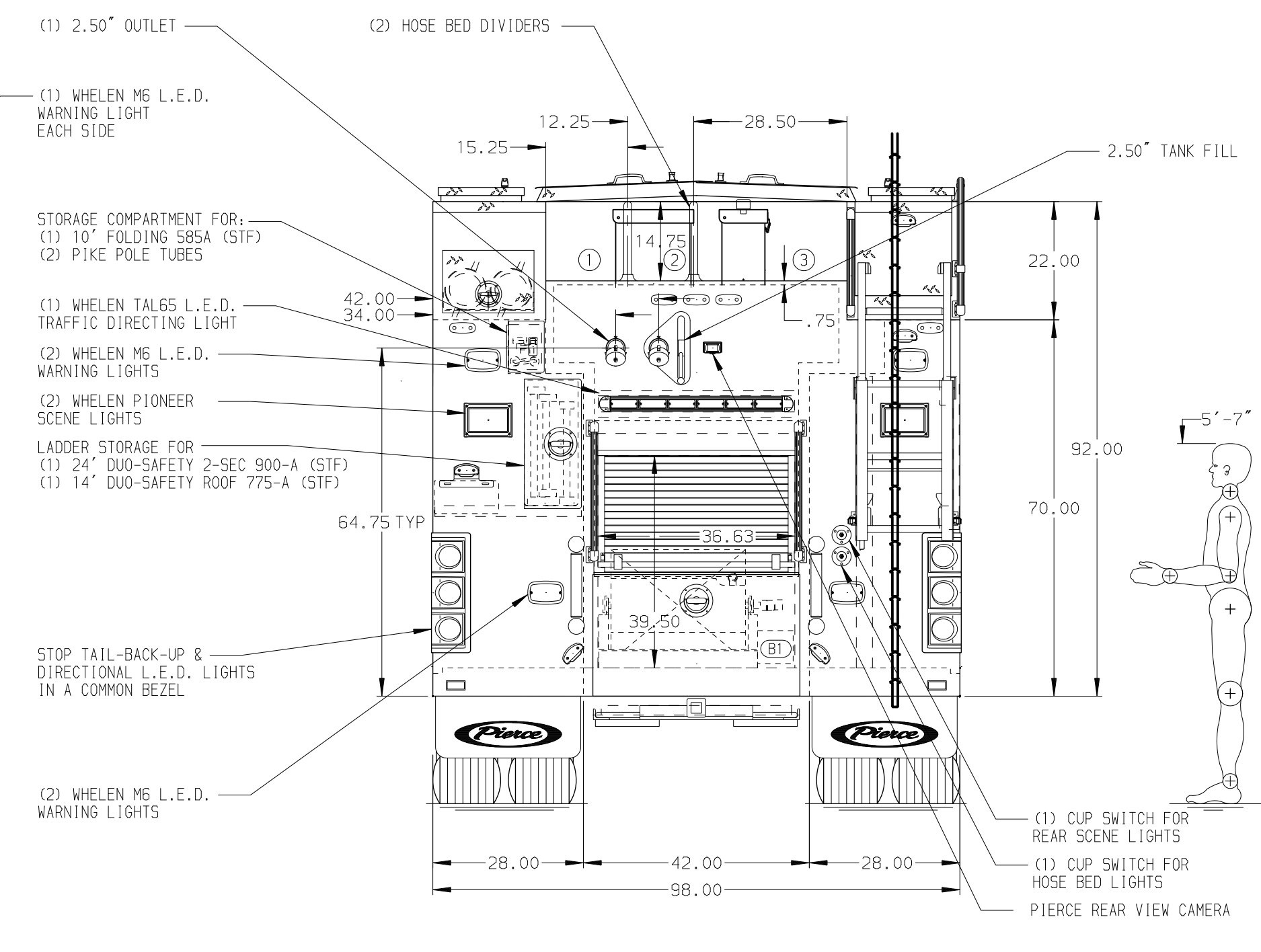
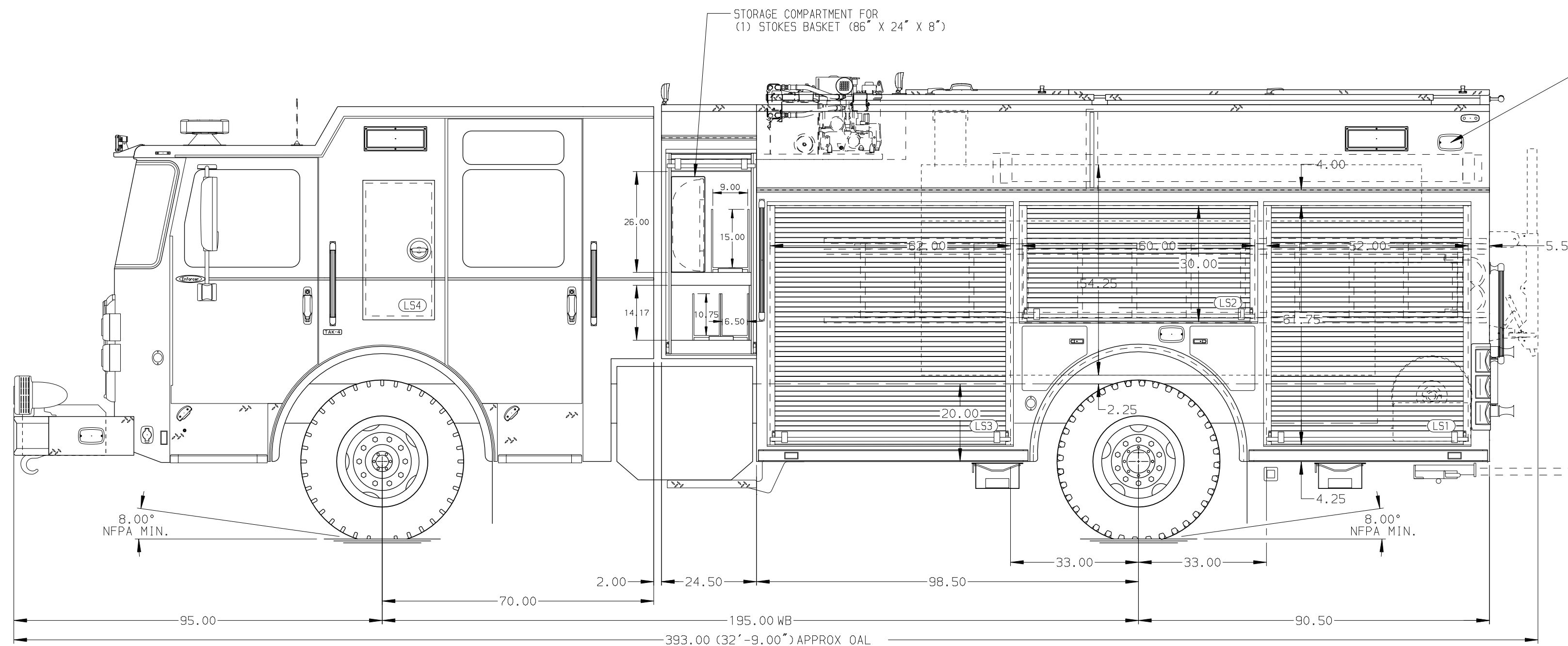
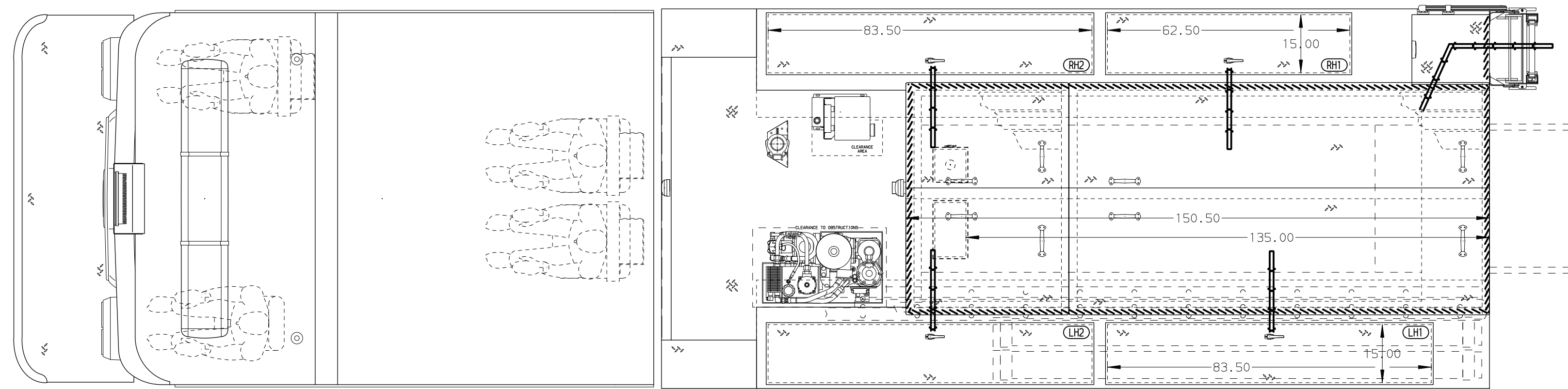
Side Roll and Frontal Impact Protection

NOTE
 DIMENSIONS SHOWN ARE APPROXIMATE
 AND ARE SUBJECT TO MINOR DEVIATIONS
 AS MAY OCCUR OR BE NECESSARY IN
 CONSTRUCTION.
 MINOR DETAILS NOT SHOWN.

1. ONE 1.50" OUTLET WITH 2.00" PIPING AND SWIVEL LOCATED IN CENTER BUMPER TRAY
2. SHORELINE RECEPTACLE WITH KUSSMAUL SUPER AUTO-EJECT LOCATED ON DRIVER SIDE CAB CORNER
3. AIR INLET WITH DISCONNECT COUPLING IN THE DRIVER SIDE STEPWELL
4. BATTERY CHARGER LOCATED PER ORDER
5. BATTERY CHARGE INDICATOR LOCATED ON THE DRIVER SIDE SEAT RISER
6. TWELVE ADJUSTABLE SHELVES LOCATED PER ORDER
7. TWO FLOOR MOUNTED SLIDE-OUT TRAY LOCATED PER ORDER
8. TWO SWING-OUT TOOLBOARDS LOCATED IN COMPARTMENTS PER SHOP ORDER
9. AUTOMATIC FIRE CHAINS
10. HANWAY BOOSTER REEL EF32-21-22 WITH CAPACITY FOR 200' OF 1.00" BOOSTER HOSE LOCATED IN COMPARTMENT PER SHOP ORDER
11. ONE SLIDE-OUT TOOLBOARD LOCATED IN COMPARTMENT PER SHOP ORDER



HOSEBED CAPACITY	
BED 1	500' OF 2.50" D.J. POLY HOSE
BED 2	400' OF 1.75" D.J. POLY HOSE
BED 2	600' OF 5.00" D.J. POLY HOSE



CUSTOMER APPROVAL		Pierce MANUFACTURING INC.		JOB NO.	37313 01-02			
APPROVED BY:	_____	CHASSIS DATA	TITLE	Pierce PUC Pumper Approval Drawing	SCALE	1:24	DATE	
DATE:	_____				MAKE	FOR	Los Pinos Fire District	DRAWN BY
		PIERCE			CHECKED BY	COL	04MAR22	
		MODEL	DWG NO.		SHEET SIZE		SHEET NO.	
REV	DATE	BY	CH	ENFORCER	37313AD		D	1 OF 1