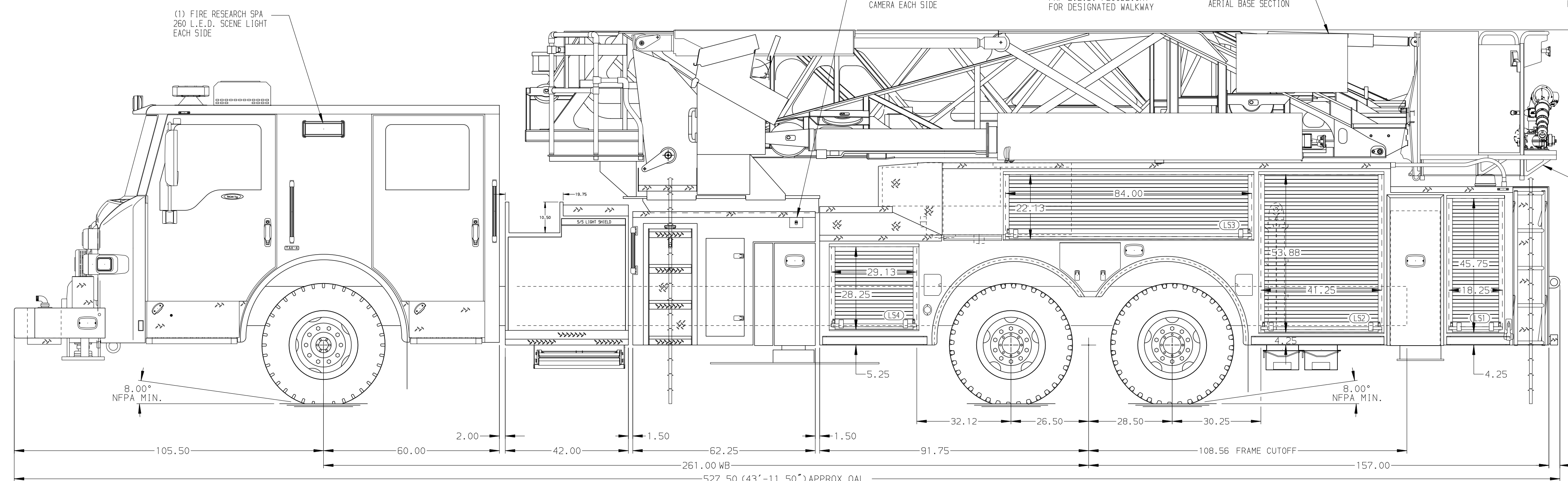
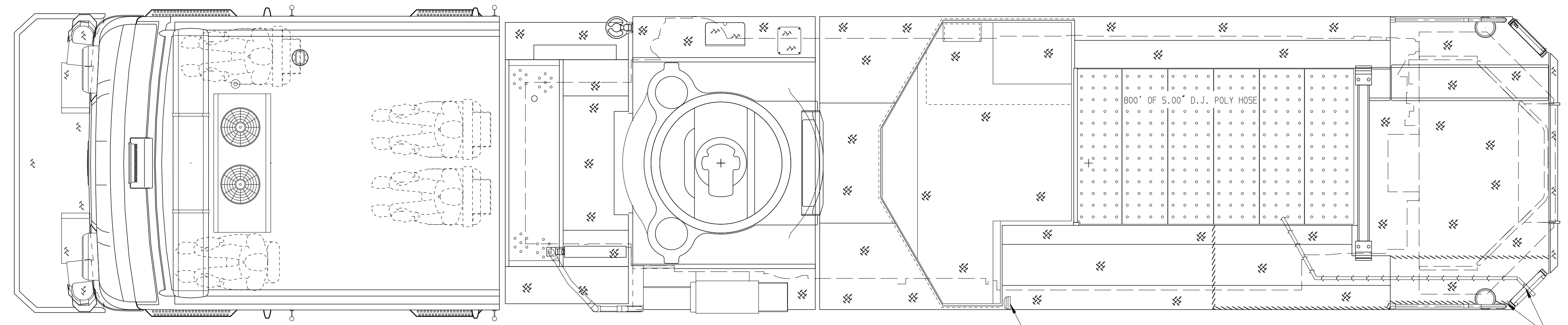


BODY 100' Ascendant Aerial Tower Alum Body COMPT, LEFT SIDE Full Height RollUp Doors COMPT, RIGHT SIDE Full Height RollUp Doors	WATER TANK 300 Gallon Poly Water Tank Foam System Foam System Not Required Foam Cell Foam Cell Not Required
---	---



CHASSIS Velocity Chassis (Big Block) ENGINE 500 HP Cummins X12 Engine	CAB 6000 Velocity FR Cab BUMPER 27" Painted Steel	AXLE, FRONT, CUSTOM 24,000 Lb TAK-4 Axle AXLE, REAR 52,000 Lb Meritor Axle	TRANSMISSION Allison 5th Gen, 4000 EV5 P	PUMPHOUSE 42" Control Zone Side Mount PUMP 2000 GPM Waterous S100	CROSSLAYS, 1.50" 1.50" Crosslay Not Required CROSSLAYS, 2.50" (1) 2.50", 200' of D.J. Hose	SPEEDLAYS Speedlays Not Required GENERATOR Generator Not Required	SAFETY Side Roll and Frontal Impact Protection	CUSTOMER APPROVAL APPROVED BY: _____ DATE: _____		JOB NO. 37329 SCALE 1:24 DATE DRAWN BY LWE 30NOV21 CHECKED BY NDA 03DEC21 SHEET SIZE D SHEET NO. 1 OF 1
NOTE DIMENSIONS SHOWN ARE APPROXIMATE AND ARE SUBJECT TO MINOR DEVIATIONS AS MAY OCCUR OR BE NECESSARY IN CONSTRUCTION. MINOR DETAILS NOT SHOWN.										
1. SHORELINE RECEPTACLE WITH KUSSMAUL SUPER AUTO-EJECT LOCATED ON PASSENGER SIDE OF THE CAB 2. AIR INLET WITH DISCONNECT COUPLING IN THE DRIVER SIDE STEPWELL 3. BATTERY CHARGER LOCATED IN COMPARTMENT PER SHOP ORDER 4. BATTERY CHARGE INDICATOR LOCATED NEAR DRIVER SEAT RISER WITH BRACKET 5. FOUR ADJUSTABLE SHELVES IN COMPARTMENTS PER SHOP ORDER 6. NON-RAISED AERIAL PEDESTAL 7. 3-in-1 LYFCOMBO BRACKETS AT AERIAL BASKET 8. REMOVABLE 10" JACK EXTENSIONS SHIPPED LOOSE 9. ONE FLOOR MOUNTED SLIDE-OUT TRAY IN COMPARTMENT PER SHOP ORDER 10. ONE SLIDE-OUT TOOLBOARD IN COMPARTMENT PER SHOP ORDER 11. ONE VERTICAL PARTITION IN COMPARTMENT PER SHOP ORDER 12. ONE SPECIAL HEIGHT VERTICAL PARTITION IN COMPARTMENT PER SHOP ORDER 13. PEGBOARD ON BACK WALL OF COMPARTMENT PER SHOP ORDER 14. LITTLE GIANT VELOCITY MODEL 13 IN COMPARTMENT PER SHOP ORDER 15. DC POWER TO AERIAL LADDER TIP 16. 2-WAY INTERCOM SYSTEM BETWEEN AERIAL TIP AND TURNABLE										
MAXIMUM O.A.H. 129.00" EXCEEDED										
REV	DATE	BY	CH	VELOCITY						CHASSIS DATA MAKE PIERCE MODEL DWG NO. 37329AD