

# Pumper, PUC BODY

Pumper, PUC, Aluminum

## CHASSIS

Enforcer Chassis, PUC

## CHASSIS AXLE, FRONT, CUSTOM

19,500 Lb TAK-4 Axle

## AXLE, REAR

31,000 Lb Dana Axle

## ENGINE

450 HP Cummins L9 Engine

## TRANSMISSION

Allison 5th Gen, 4000 EVS P

## BUMPER

26" Extended Painted Steel

## CAB

7010 Enforcer Cab, PUC

## BODY

### WATER TANK

1000 Gallon Poly Water Tank

### COMPT, PUMPER, REAR

33.50' FF RollUp Rear Compt w/Tailboard, PUC

### COMPT, PUMPER, LEFT SIDE

214" RollUp Full Height & Depth Front & Rear, PUC

### COMPT, PUMPER, RIGHT SIDE

214" RollUp Full Height & Depth Front & Rear, PUC

## FIRE SUPPRESSION PUMPHOUSE

Control Zone, PUC

### PUMP

1500 GPM Pierce PUC

### CROSSLAYS, 1.50"

(2) 1.50", Poly Trays, 200"

### CROSSLAYS, 2.50"

(1) 2.50", Poly Tray, 200"

### GENERATOR

Generator Not Required

### Foam System

Husky 3 Single Agent Foam System

### Foam Cell

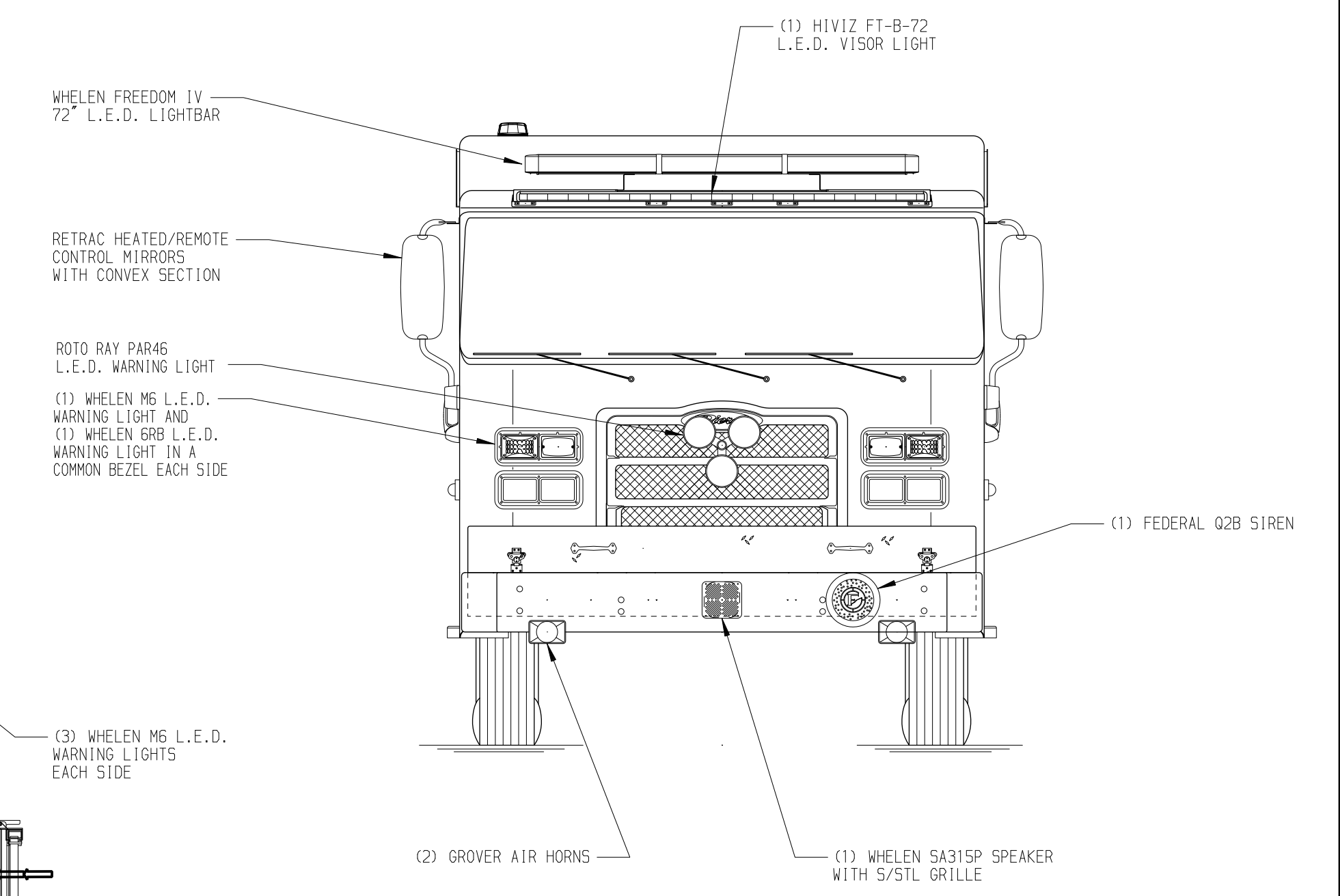
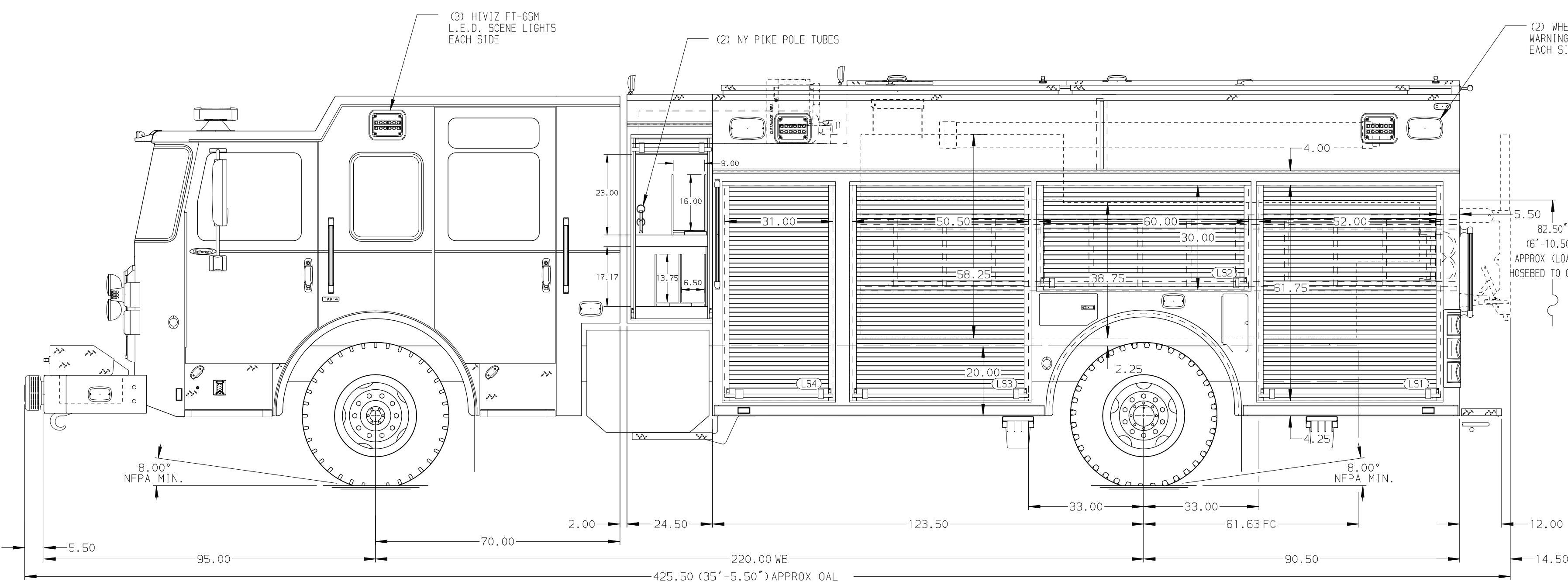
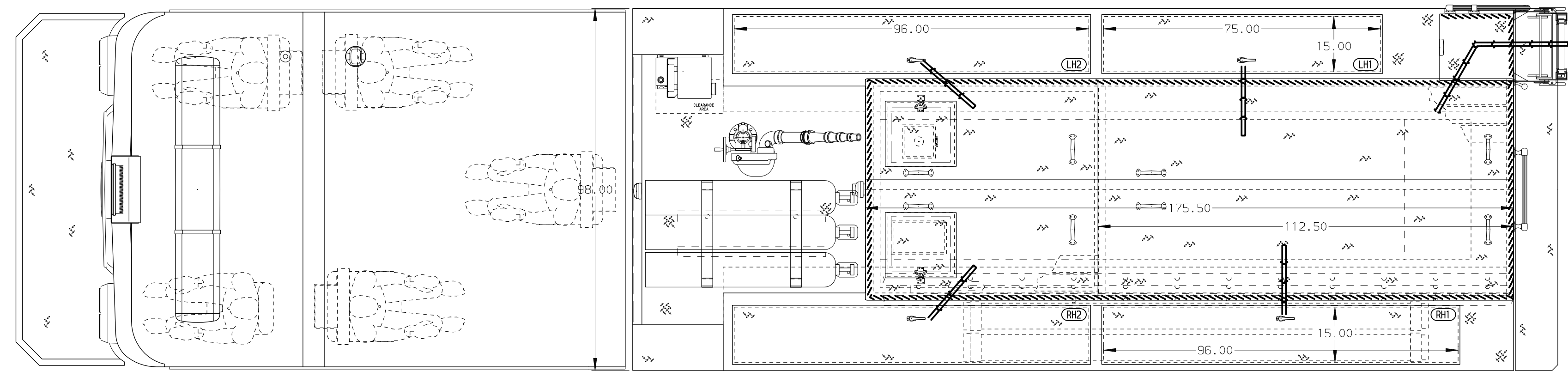
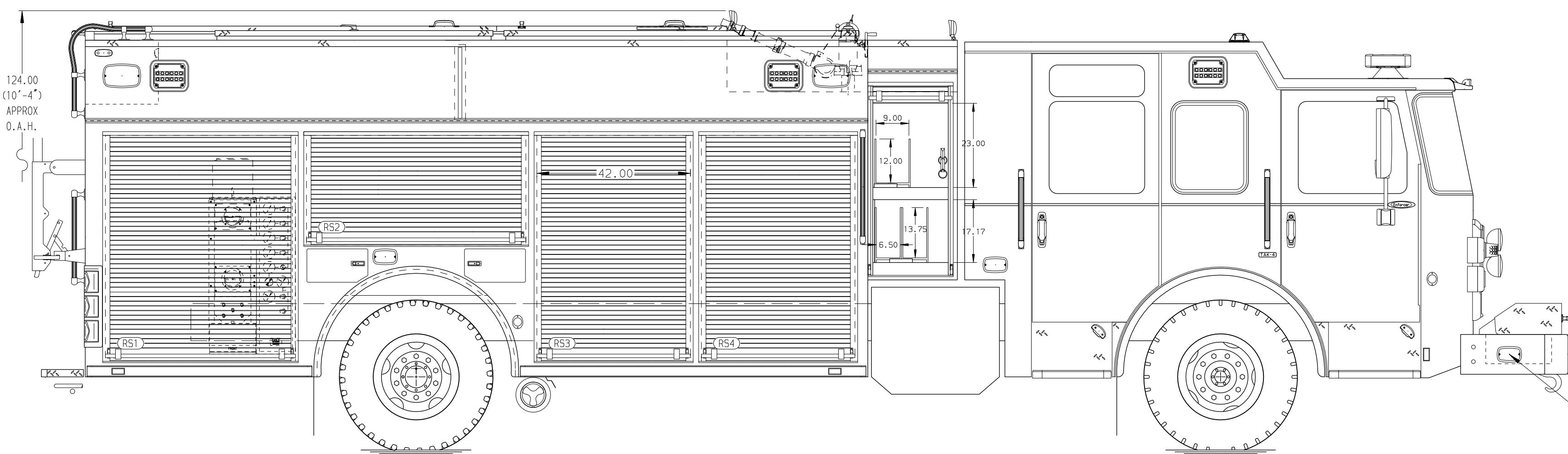
30 Gallon Foam Cell, Reduced Water, PUC

Side Roll and Frontal Impact Protection

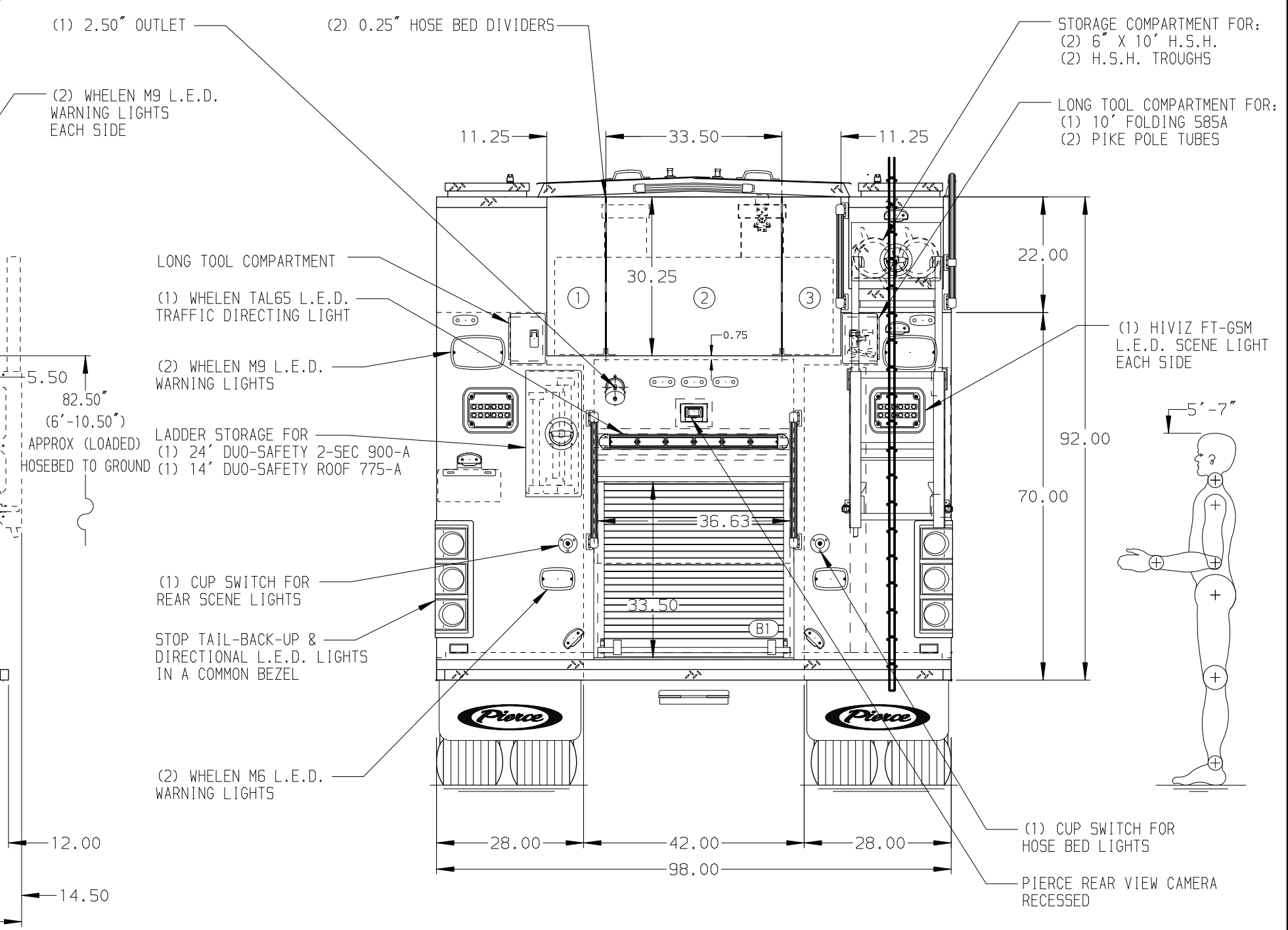
### NOTE

DIMENSIONS SHOWN ARE APPROXIMATE AND ARE SUBJECT TO MINOR DEVIATIONS AS MAY OCCUR OR BE NECESSARY IN CONSTRUCTION. MINOR DETAILS NOT SHOWN.

- ONE 1.50" OUTLET WITH 2.00" PIPING AND SWIVEL LOCATED IN CENTER BUMPER TRAY
- BLUE SEA SURE EJECT SHORELINE LOCATED ON DRIVER SIDE OF THE CAB
- AIR INLET/OUTLET WITH DISCONNECT COUPLING IN THE DRIVER SIDE STEPWELL
- BATTERY CHARGER LOCATED IN COMPARTMENT PER SHOP ORDER
- BATTERY CHARGE INDICATOR LOCATED ON THE DRIVER SIDE SEAT RISER
- SIXTEEN ADJUSTABLE SHELVES IN COMPARTMENTS PER SHOP ORDER
- TWO FLOOR MOUNTED SLIDE-OUT TRAY IN COMPARTMENT PER SHOP ORDER
- TWO SLIDE-OUT TOOLBOARDS LOCATED PER SHOP ORDER
- TWO SWING-OUT TOOLBOARDS LOCATED PER SHOP ORDER
- ONE HORIZONTAL PARTITION LOCATED PER SHOP ORDER
- ONE POLY TOOL BOX LOCATED PER SHOP ORDER



HOSEBED CAPACITY	
BED 1	500' OF 3.00" D.J. POLY HOSE
BED 2	1000' OF 5.00" D.J. POLY HOSE
BED 3	500' OF 3.00" D.J. POLY HOSE



### CUSTOMER APPROVAL

APPROVED BY: \_\_\_\_\_  
DATE: \_\_\_\_\_



JOB NO. 37332

SCALE 1:24 DATE

REV	DATE	BY	CH	ENFORCER

TITLE	FOR	DWG NO.
Pierce PUC Pumper Approval Drawing	Town of Edenton	37332AD

DRAWN BY	CHECKED BY	SHEET SIZE	SHEET NO.
MMF	COL	D	1 OF 1