

**RIGHT SIDE COMPARTMENTS CONTAIN THE FOLLOWING:**

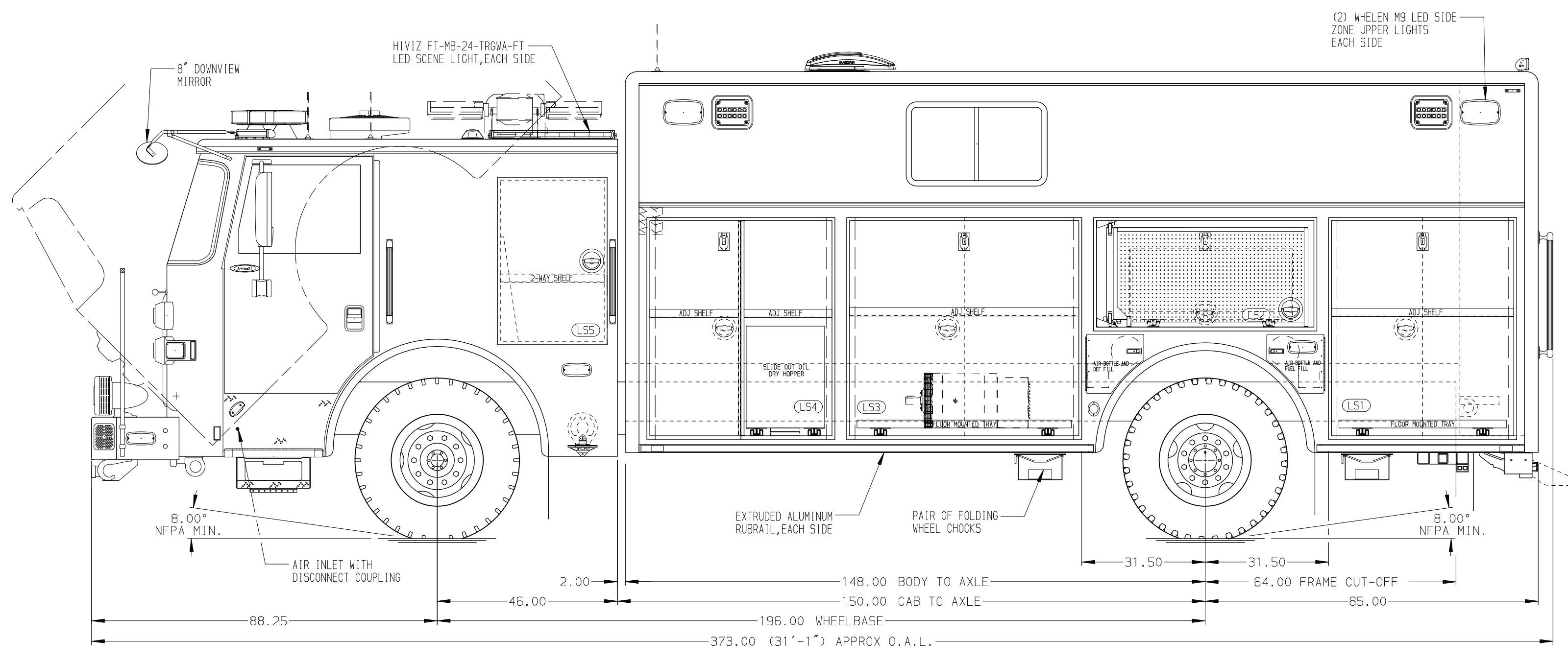
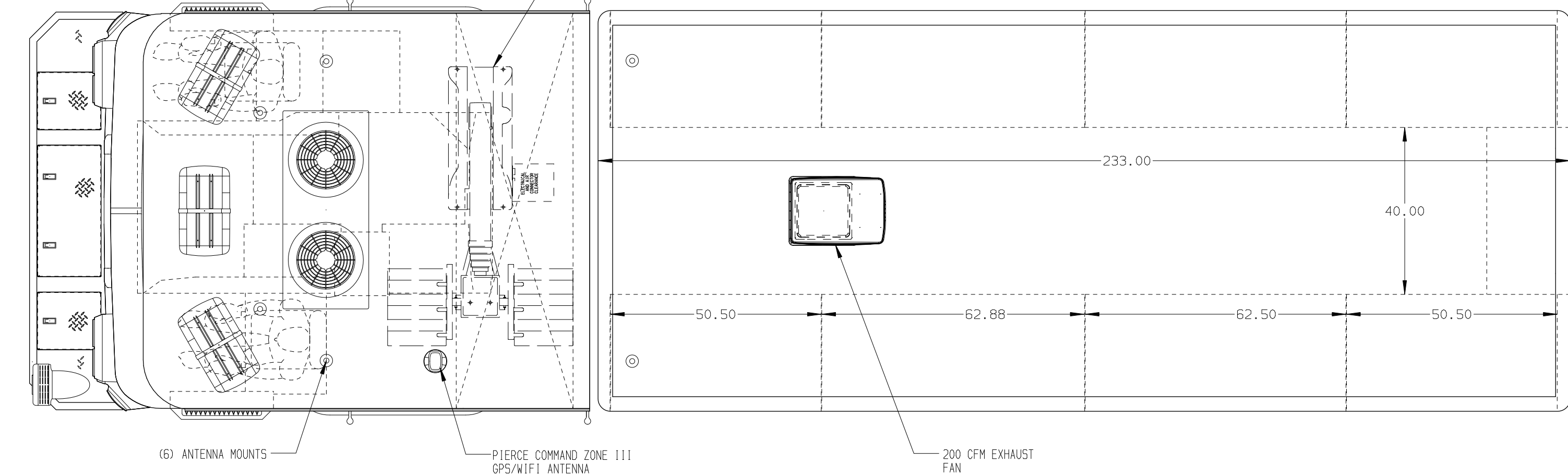
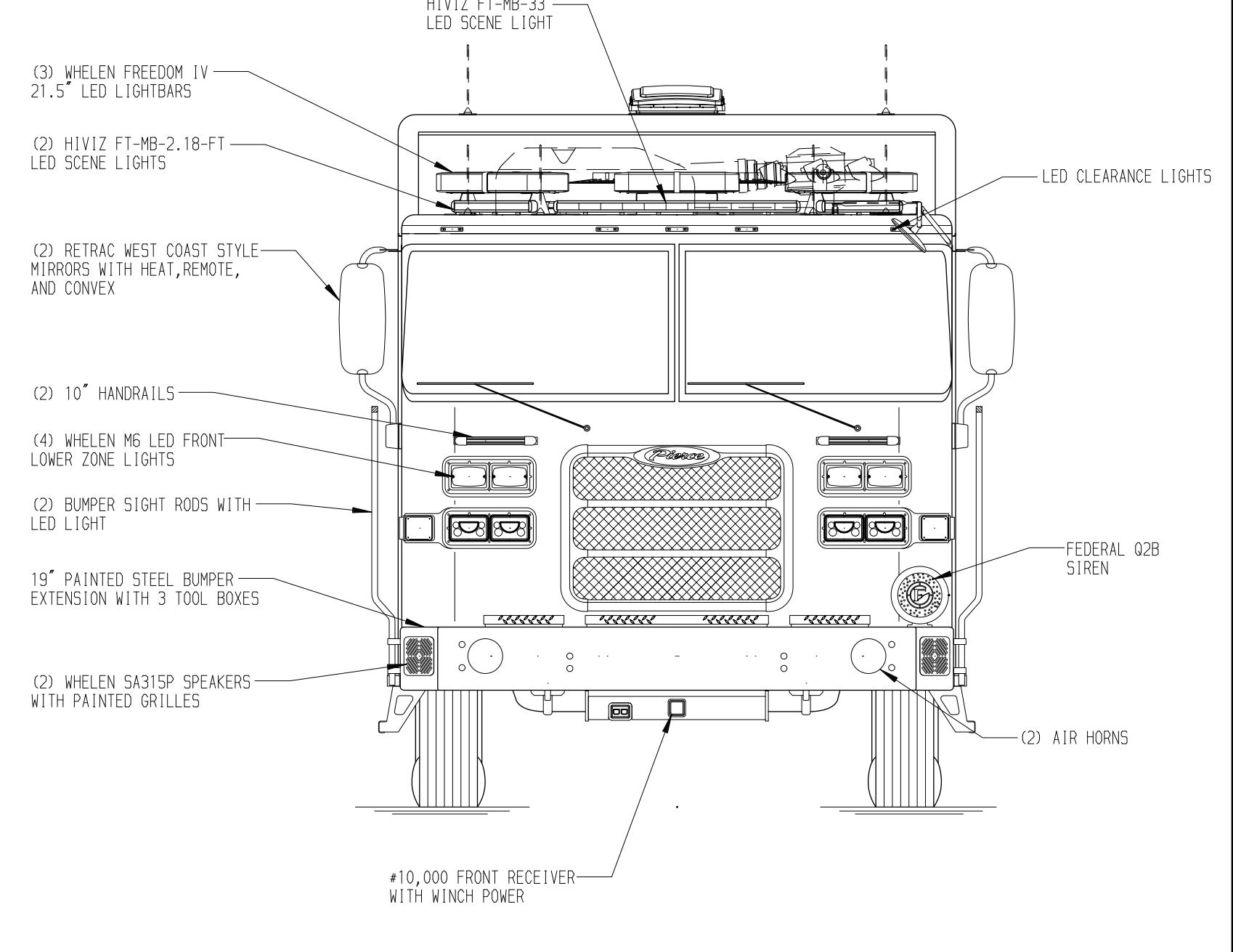
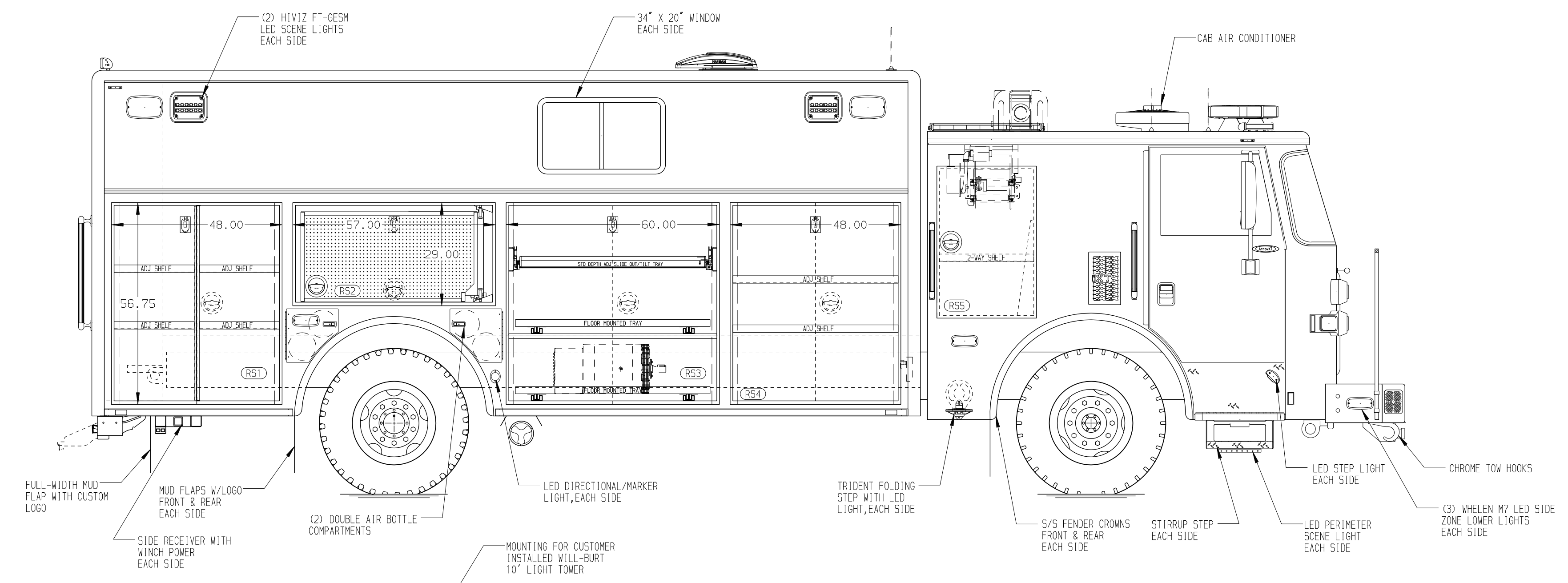
COMPARTMENT RS1 CONTAINS:  
 - (1) 15/20A, 120V DUPLEX RECEPTACLE  
 - (4) STD DEPTH ADJ SHELVES  
 - (1) VERTICAL COMPARTMENT DIVIDER

COMPARTMENT RS2 CONTAINS:  
 - (1) 15/20A, 120V DUPLEX RECEPTACLE  
 - (1) SWING OUT TOOLBOARD

COMPARTMENT RS3 CONTAINS:  
 - (1) 15/20A, 120V DUPLEX RECEPTACLE  
 - (1) STD DEPTH ADJ SLIDE OUT/TILT TRAY  
 - (2) STD DEPTH FLOOR MOUNTED TRAYS  
 - (1) #500 ADJUSTABLE 3/8" PLATE

COMPARTMENT RS4 CONTAINS:  
 - (1) 15/20A, 120V DUPLEX RECEPTACLE  
 - (1) CAB LIFT CONTROLLER  
 - (2) STD DEPTH ADJ SHELVES

COMPARTMENT RS5 CONTAINS:  
 - (1) ELECTRIC CORD REEL WITH 175' OF 10/3 YELLOW CORD  
 - (1) 2-WAY ADJUSTABLE SHELF



**LEFT SIDE COMPARTMENTS CONTAIN THE FOLLOWING:**

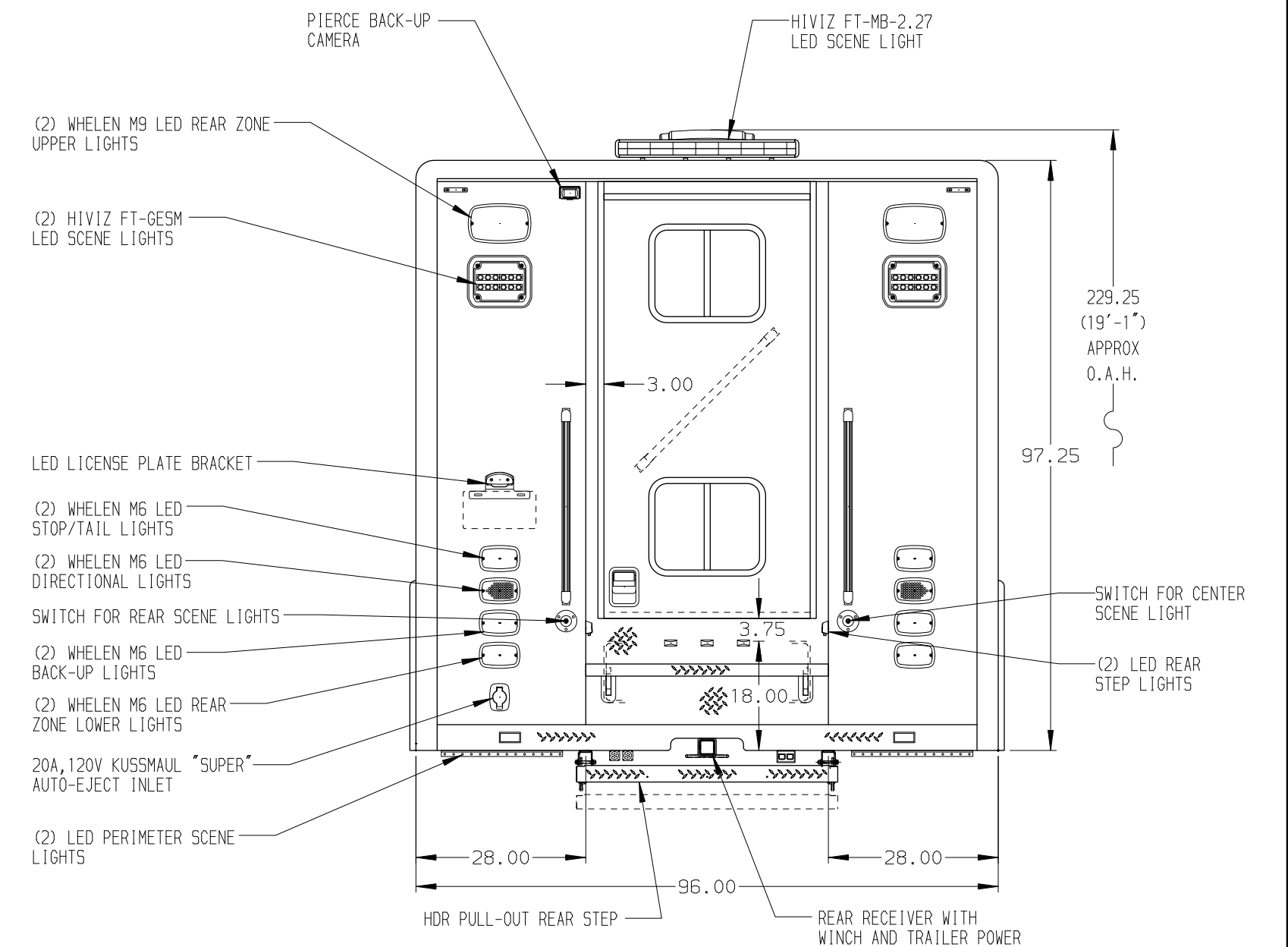
COMPARTMENT LS1 CONTAINS:  
 - (1) 15/20A, 120V DUPLEX RECEPTACLE  
 - (1) STD DEPTH ADJ SHELF  
 - (1) STD DEPTH FLOOR MOUNTED TRAY

COMPARTMENT LS2 CONTAINS:  
 - (1) 15/20A, 120V DUPLEX RECEPTACLE  
 - (1) SPECIAL DEPTH FLOOR MOUNTED TRAY  
 - (1) SWING OUT TOOLBOARD

COMPARTMENT LS3 CONTAINS:  
 - (1) 15/20A, 120V DUPLEX RECEPTACLE  
 - (1) STD DEPTH ADJ SHELF  
 - (1) STD DEPTH FLOOR MOUNTED TRAY

COMPARTMENT LS4 CONTAINS:  
 - (1) 15/20A, 120V DUPLEX RECEPTACLE  
 - (1) KUSSMAUL 1200 CHARGER  
 - (1) SLIDE OUT OIL DRY HOPPER  
 - (2) STD DEPTH ADJ SHELVES  
 - (1) VERTICAL COMPARTMENT DIVIDER

COMPARTMENT LS5 CONTAINS:  
 - (1) 2-WAY ADJ SHELF



**NOTE**  
 DIMENSIONS SHOWN ARE APPROXIMATE AND ARE SUBJECT TO MINOR DEVIATIONS AS MAY OCCUR OR BE NECESSARY IN CONSTRUCTION.  
 MINOR DETAILS NOT SHOWN.

**NOTES:**

- RUD AUTOMATIC TIRE CHAINS
- POLISHED 5/5 SCUFFPLATES ON CAB DOOR JAMBS
- FLOOR IN CAB TO BE PADDED RUBBER
- BATTERY CHARGE INDICATOR LOCATED ON DRIVER'S SEAT WITH BRACKET
- PIERCE LED LIGHTS IN ALL BODY COMPARTMENTS AND TRANSVERSE CAB COMPARTMENT
- TURTLE TILE MATTING ON ALL SHELVES AND TRAYS
- ONAN 25kW SINGLE PHASE PTO DRIVEN GENERATOR WITH SPLASH GUARD LOCATED BETWEEN THE FRAME RAILS
- 15/20A, 120V DUPLEX RECEPTACLE LOCATED BEHIND THE OFFICER'S SEAT

**NOTE:**  
 LAP DOORS HAVE BEEN SHOWN IN HIDDEN LINES TO CLEARLY IDENTIFY THE EQUIPMENT IN EACH COMPARTMENT. DASHED LINES ON SIDES ARE DOORS IN OPEN POSITION

CLEAR DOOR WIDTH KEY		CHASSIS DATA	
AMDR ROLL UP DOORS:	-2 1/4"	28NOV22	DHE AZU
CORTITE ROLL UP DOORS:	-2 1/2"	10OCT22	DHE AZU
PIERCE DOUBLE LAP DOORS:	-4 1/4"	15JUN22	DHE AZU
PIERCE LIFT-UP LAP DOORS:	-1 1/2"		
(EX: 60" F-F - 2 1/4" = 57 3/4" CLEAR)			
(F-F) = FRAME TO FRAME			

		JOB NO.	37351
		SCALE	DATE
TITLE	HEAVY DUTY RESCUE WALKIN	DRAWN BY	DHE 27MAY22
FOR	BOROUGH OF PARK RIDGE BID #883	CHECKED BY	AZU 31MAY22
DWG NO.	37351AD-SH1	SHEET SIZE	SHEET NO.
		D	1 OF 1