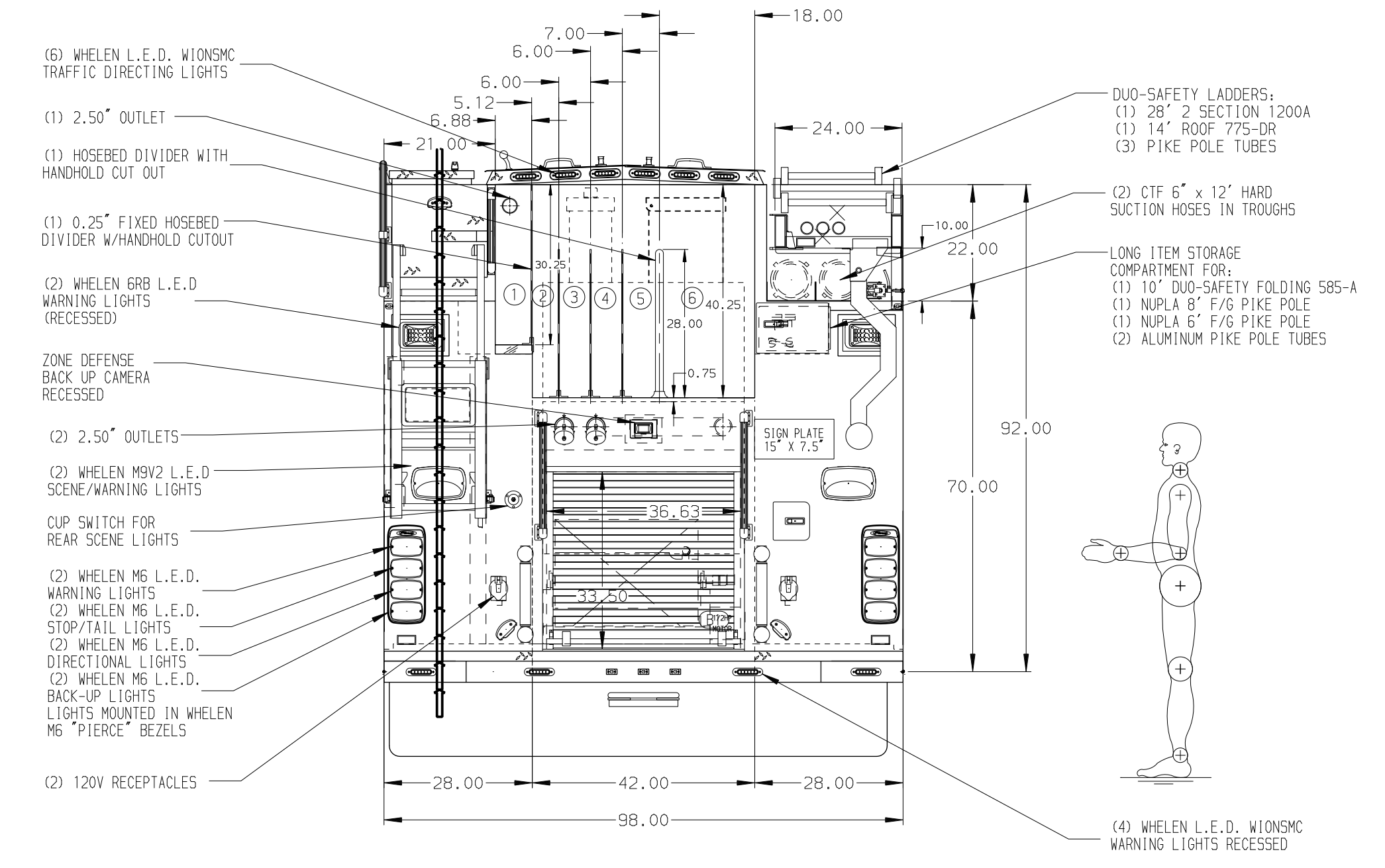


- HOSEBED CAPACITIES**
- ① - 250' OF 2.00" MASTER COMBAT FLOW HOSE
 - ② - 250' OF 2.50" TRUID HOSE
 - ③ - 300' OF 3.00" ECHO10 HOSE
 - ④ - 250' OF 1.75" D.J. POLY HOSE
 - ⑤ - 300' OF 3.00" ECHO10 HOSE
 - ⑥ - 900' OF 5.00" KEY PROFLO HOSE

SURFACE DESIGNATION AND PATHWAY MARKINGS



ALUMINUM BODY

SIDE ROLL AND FRONTAL IMPACT PROTECTION

NOTE
DIMENSIONS SHOWN ARE APPROXIMATE AND ARE SUBJECT TO MINOR DEVIATIONS AS MAY OCCUR OR BE NECESSARY IN CONSTRUCTION. MINOR DETAILS NOT SHOWN.

1. AIR INLET/OUTLET WITH DISCONNECT FITTING ON D.S. PUMP PANEL
2. BATTERY CHARGER LOCATED IN COMPARTMENT L53
3. ONE ADJUSTABLE FULL WIDTH/DEPTH SPECIAL SIDE HEIGHT SHELF LOCATED PER SHOP ORDER
4. FOUR ADJUSTABLE FULL WIDTH/DEPTH SHelves LOCATED PER SHOP ORDER
5. ONE ADJUSTABLE NOTCHED FULL WIDTH SHELF LOCATED PER SHOP ORDER
6. TWO ADJUSTABLE SLIDE-OUT TRAYS LOCATED PER SHOP ORDER
7. ONE ADJUSTABLE TILTING SLIDE-OUT TRAY LOCATED PER SHOP ORDER
8. THREE FLOOR MOUNTED SLIDE-OUT TRAYS LOCATED PER SHOP ORDER
9. ONE SWING-OUT ALUMINUM TOOL BOARD WITH PAC TRAC LOCATED PER SHOP ORDER
10. ONE VERTICAL PARTITION IN LH1 HATCH COMPARTMENT
11. STORAGE BIN FOR (4) EXTINGUISHERS LOCATED PER SHOP ORDER
12. ONE HANNAY BOOSTER REEL MODEL SRF 34-23-24 LOCATED IN COMPARTMENT B1 WITH CAPACITY FOR 150' OF 1.00" HOSE
13. CIRCUIT BREAKER PANEL LOCATED PER SHOP ORDER
14. ONE HANNAY ECR1618-17-18 ELECTRIC REWIND CORD REEL LOCATED PER SHOP ORDER WITH 200' OF 10/3 CABLE
15. EXTINGUISHER RACK LOCATED PER SHOP ORDER
16. DEF TANK MOUNTED UNDER CAB ON THE DRIVER'S SIDE

		JOB NO.	37354
		SCALE	DATE
TITLE 1500-D-520P, 500G WATER, 20G FOAM, 189" PUC RESCUE RS HYD. LADDER RACK, (3) XLYS, GENERATOR, DELUGE	FOR THE WOODLANDS TOWNSHIP THE WOODLANDS, TEXAS	DRAWN BY	JJB
		CHECKED BY	MGE
DWG NO. 37354AD	VELOCITY	SHEET SIZE	D
		SHEET NO.	1 OF 1