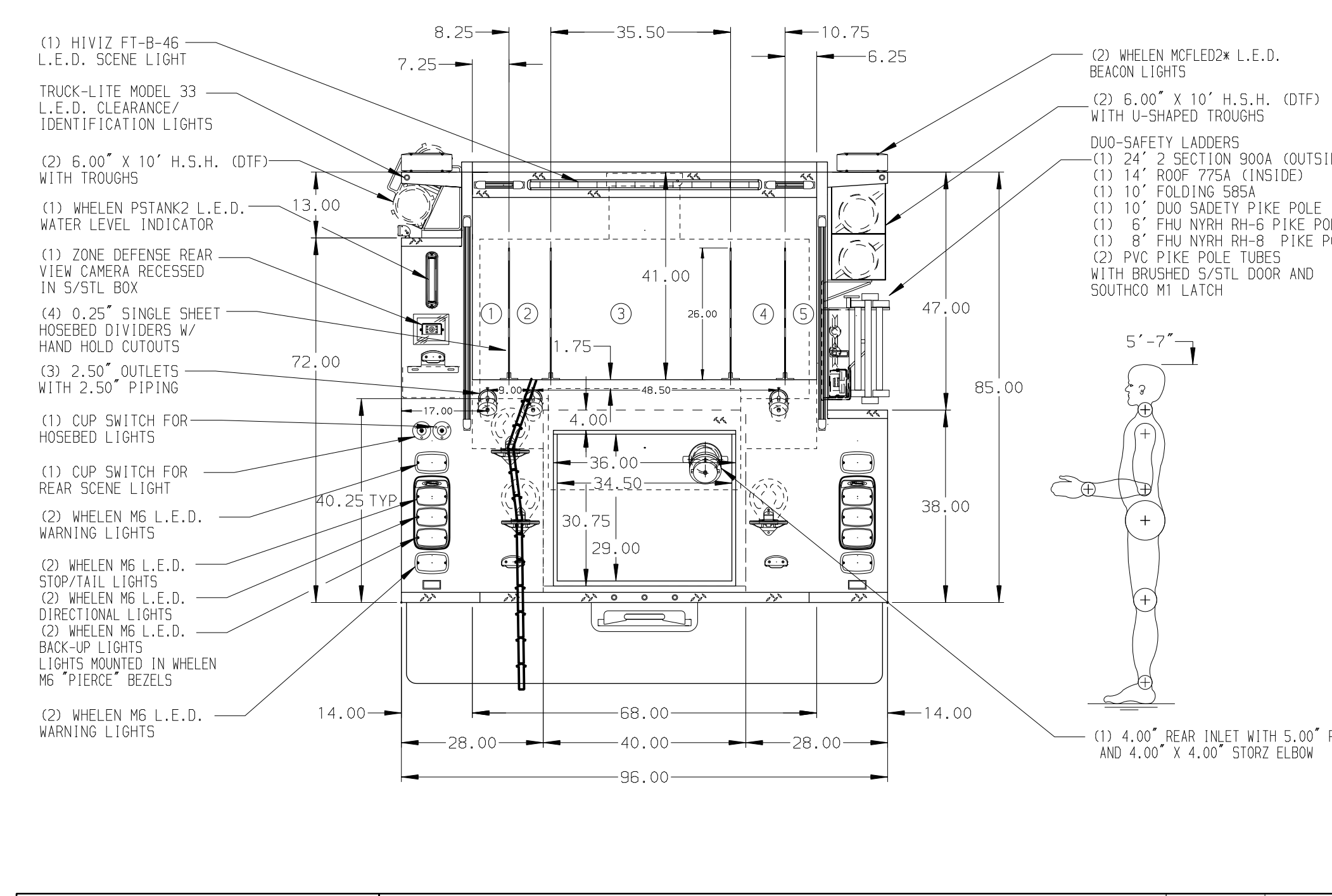


- HOSEBED CAPACITIES**
- ① 300' OF 1.75" MERCEDES HOSE
  - ② 300' OF 2.00" MERCEDES HOSE
  - ③ 1200' OF 4.00" MERCEDES HOSE
  - ④ 600' OF 3.00" MERCEDES HOSE
  - ⑤ 300' OF 2.50" MERCEDES HOSE



ALUMINUM BODY

SIDE ROLL AND FRONTAL IMPACT PROTECTION

**NOTE**  
DIMENSIONS SHOWN ARE APPROXIMATE AND ARE SUBJECT TO MINOR DEVIATIONS AS MAY OCCUR OR BE NECESSARY IN CONSTRUCTION. MINOR DETAILS NOT SHOWN.

- 1. PUMP PANEL DRAWING REQUIRED
- 2. ONSPOT AUTOMATIC TIRE CHAINS TO BE PROVIDED AT REAR
- 3. BATTERY CHARGER LOCATED BEHIND DRIVER'S SEAT
- 4. BATTERY CHARGER INDICATOR LOCATED ON DRIVER'S SEAT RISER
- 5. ONE 120V NEMA DUPLEX RECEPTACLE IN EACH EMS COMPARTMENT

CUSTOMER APPROVAL			
APPROVED BY:			
DATE:			
CHASSIS DATA	TITLE	1500-D-750P 152" FHF&R DS, LOW SIDE PS, (2)CROSSLAYS (4)HARD SUCTION HOSE TROUGHS, LADDER BRACKETS	
MAKE	FOR	FREDERICK COUNTY PIERCE	
MODEL	DWG NO.	37355AD-SH1	
ENFORCER			

Pierce MANUFACTURING INC.		JOB NO.	37355 01-03
SCALE	1:24	DATE	
DRAWN BY	LST	DATE	20APR22
CHECKED BY	JBL	DATE	22APR22
SHEET SIZE	D	SHEET NO.	1 OF 2