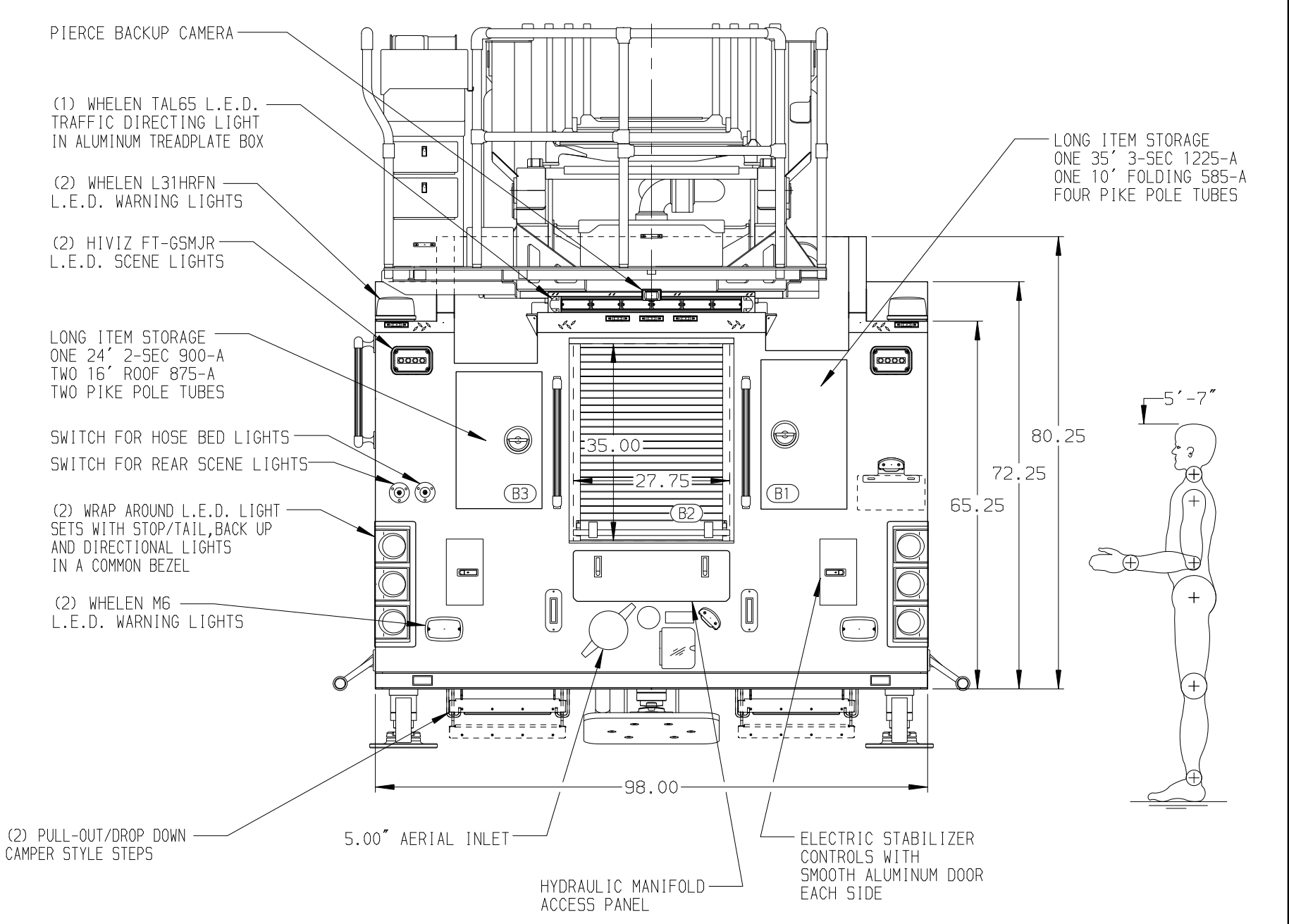
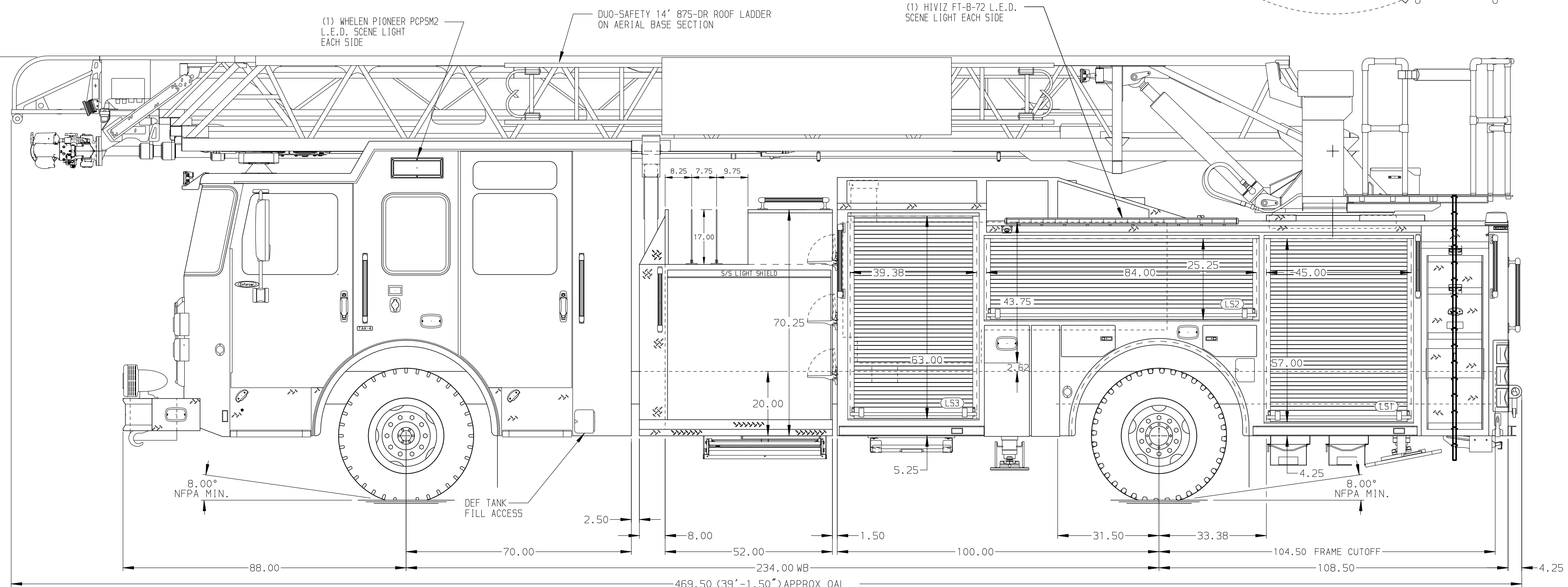


BODY	WATER TANK
107' ASL Aluminum Body	480 Gallon Poly Water Tank
COMPT, LEFT SIDE FRONT	Foam System
Full Height RollUp Forward	Plumbing for Future Husky Foam System
COMPT, LEFT SIDE REAR	Foam Cell
Full Height RollUp Rearward	20 Gallon Foam Cell, Reduced Water
COMPT, RIGHT SIDE FRONT	
Full Height RollUp Forward	
COMPT, RIGHT SIDE REAR	
Full Height RollUp Rearward	



CHASSIS	CAB	AXLE, FRONT, CUSTOM	TRANSMISSION	PUMPHOUSE	CROSSLAYS, 1.50"	SPEEDLAYS	SAFETY	CUSTOMER APPROVAL	Pierce MANUFACTURING INC.		JOB NO.	
Enforcer Chassis ENGINE 510 HP Paccor MX13 Engine	7010 Enforcer Notched Cab BUMPER 19" Extended Stainless Steel	22,800 Lb TAK-4 Axle AXLE, REAR 33,500 Lb Meritor Axle	Allison 5th Gen, 4500 EV5 P	52" Control Zone Side Mount PUMP 2000 GPM Waterous CSU	(2) 1.50" Standard Capacity CROSSLAYS, 2.50" (1) 2.50" Standard Capacity	Speedlays Not Required GENERATOR Generator Not Required	Side Roll and Frontal Impact Protection	APPROVED BY: _____ DATE: _____			37379	
<b>NOTE</b> DIMENSIONS SHOWN ARE APPROXIMATE AND ARE SUBJECT TO MINOR DEVIATIONS AS MAY OCCUR OR BE NECESSARY IN CONSTRUCTION. MINOR DETAILS NOT SHOWN.											SCALE 1:24	DATE
1. ONE 1.50 OUTLET WITH 2.00 PIPING AND SWIVEL LOCATED IN CENTER BUMPER TRAY 2. SHORELINE RECEPTACLE WITH KUSSMAUL SUPER AUTO-EJECT LOCATED ON DRIVER SIDE OF THE CAB 3. AIR INLET WITH DISCONNECT COUPLING IN THE DRIVER SIDE STEPWELL 4. BATTERY CHARGER LOCATED BEHIND DRIVER SEAT 5. BATTERY CHARGE INDICATOR LOCATED ON DRIVERS SIDE CAB 6. L.E.D. LIGHT STRIPS LOCATED IN THE HOSE BED PER SHOP ORDER 7. SIX ADJUSTABLE SHELVES LOCATED IN COMPARTMENTS PER SHOP ORDER 8. FOUR FLOOR MOUNTED SLIDE-OUT TRAYS LOCATED IN COMPARTMENTS PER SHOP ORDER 9. MOUNTING PROVISIONS FOR FRONT INLET 10. DEF TANK MOUNTED UNDER CAB ON THE DRIVER'S SIDE 11. NON-RAISED AERIAL PEDESTAL 12. LIFTING EYE ROPE RESCUE ATTACHMENT AT AERIAL TIP 13. 1500 GPM HIGH FLOW WATERWAY 14. LIMITED RETRACTION NOT REQUIRED											DRAWN BY TKA	15SEP21
TITLE 107' ASCENDANT AERIAL LADDER AND BODY ASSEMBLY											CHECKED BY MSA	17SEP21
MAKE PIERCE											SHEET SIZE D	SHEET NO. 1 OF 1
MODEL ENFORCER											DWG NO. 37379AD	