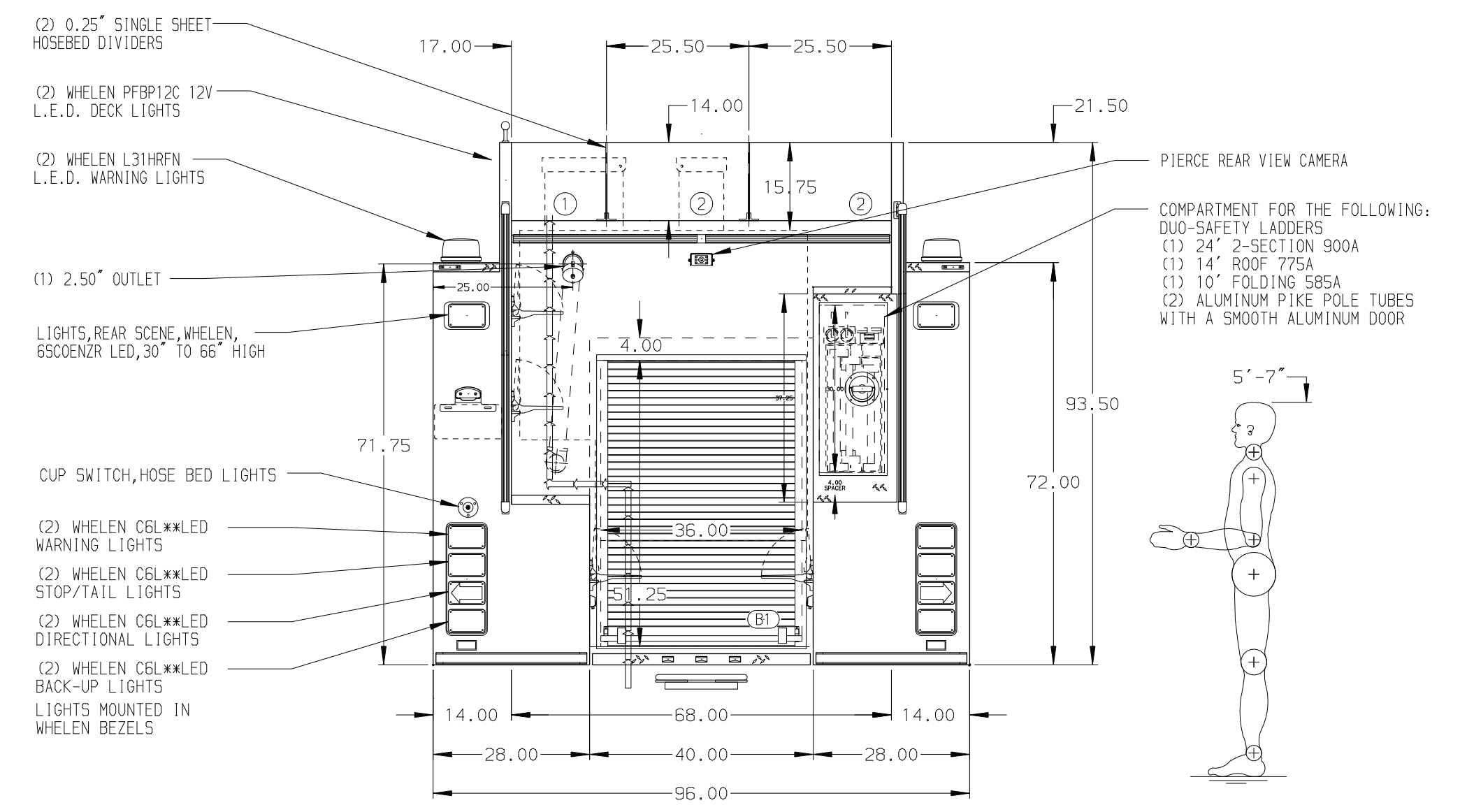
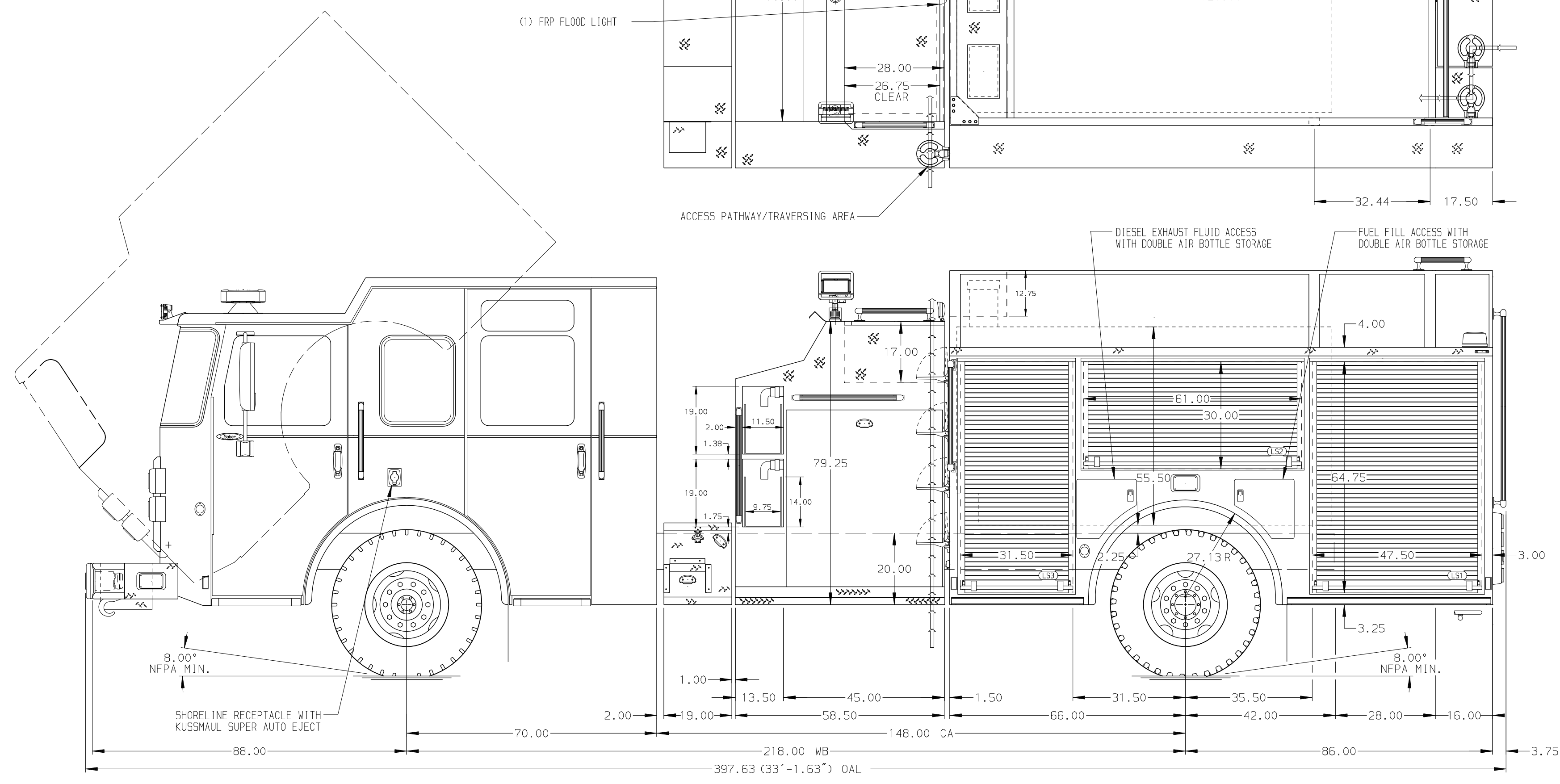


HOSEBED CAPACITIES

① 400' OF 2.50" D.J. HOSE

② 1000' OF 5.00" D.J. HOSE



ALUMINUM BODY

NOTE
DIMENSIONS SHOWN ARE APPROXIMATE AND ARE SUBJECT TO MINOR DEVIATIONS AS MAY OCCUR OR BE NECESSARY IN CONSTRUCTION. MINOR DETAILS NOT SHOWN.

		JOB NO.	37383
		SCALE	DATE
TITLE 1500-D-1030P, 1000 GAL WATER W/30 GAL FOAM SYSTEM 152" PUMPER BODY, TOP CONTROL, LADDERS BESIDE TANK		DRAWN BY	JLA
MAKE PIERCE		CHECKED BY	CAG
MODEL 280C21		SHEET SIZE	SHEET NO.
DWG NO. 37383AD		1 OF 1	

CHASSIS DATA	TITLE	1500-D-1030P, 1000 GAL WATER W/30 GAL FOAM SYSTEM 152" PUMPER BODY, TOP CONTROL, LADDERS BESIDE TANK
MAKE	FOR	PIERCE FIELD UNIT BRADENTON, FLORIDA
MODEL	DWG NO.	37383AD
REV	DATE	
BY	CH	
RHU	CGA	
SABER FR		