

Pumper, PUC BODY

Pumper, PUC, Aluminum

CHASSIS

Enforcer Chassis, PUC

CHASSIS AXLE, FRONT, CUSTOM

19,500 Lb TAK-4 Axle

AXLE, REAR

27,000 Lb Dana Axle

ENGINE

450 HP Cummins L9 Engine

TRANSMISSION

Allison 5th Gen, 3000 EVS P

BUMPER

19" Extended Painted Steel

CAB

7010 Enforcer Cab, PUC

BODY

WATER TANK

730 Gallon Poly Water Tank

COMPT, PUMPER, REAR

33.50" FF RollUp Rear Compt w/Tailboard, PUC

COMPT, PUMPER, LEFT SIDE

189" RollUp Full Height & Depth Front & Rear, PUC

COMPT, PUMPER, RIGHT SIDE

189" RollUp Full Height & Depth Front & Rear, PUC

FIRE SUPPRESSION PUMPHOUSE

Control Zone, PUC

PUMP

1500 GPM Pierce PUC

CROSSLAYS, 1.50"

(2) 1.50", Poly Trays, 200"

CROSSLAYS, 2.50"

(1) 2.50", Poly Tray, 200"
(1) 2.50", Deadlay, Poly Tray, 200"

GENERATOR

Generator Not Required

Foam System

Husky 3 Single Agent Foam System

Foam Cell

20 Gallon Foam Cell, Reduced Water, PUC

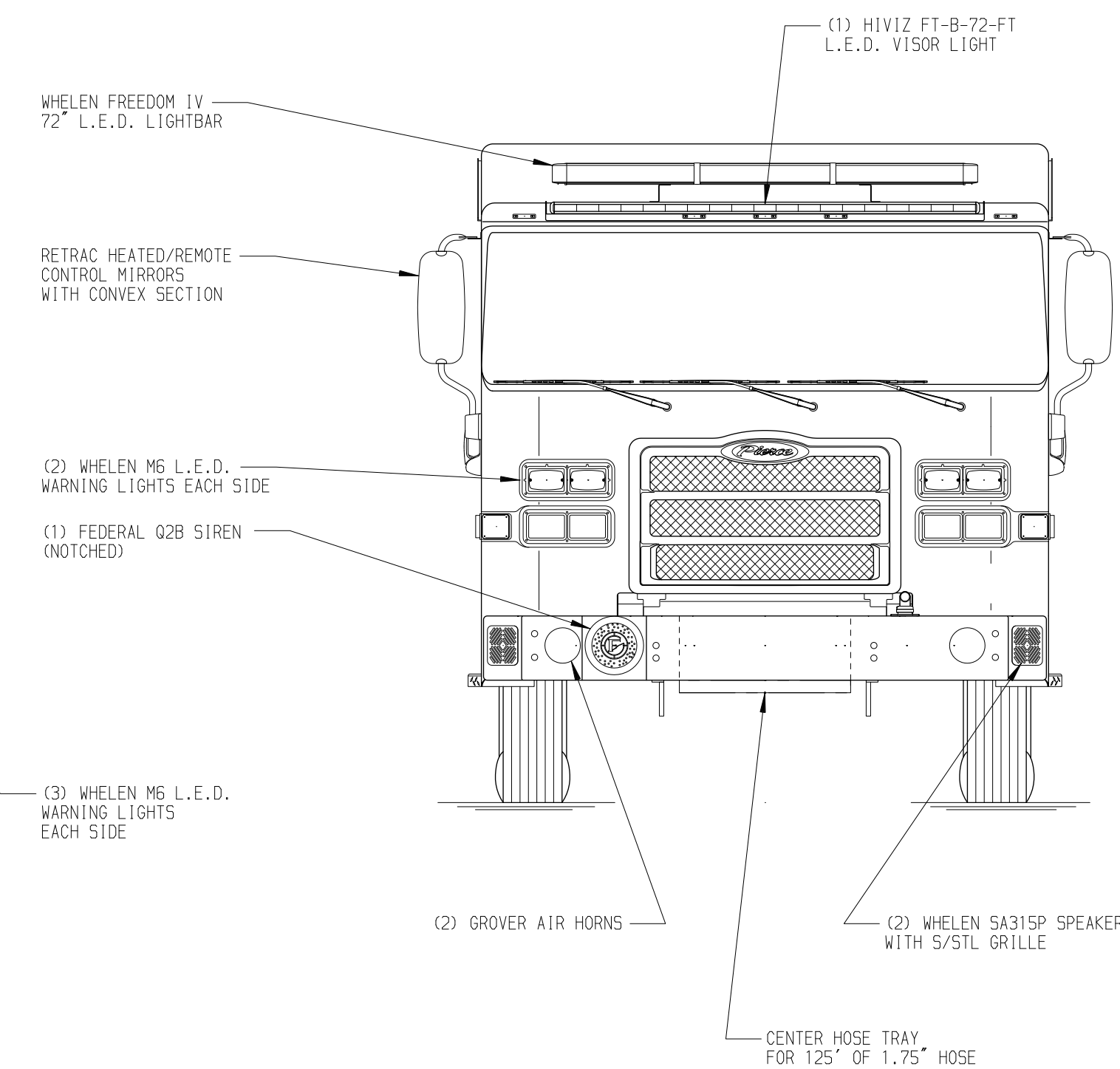
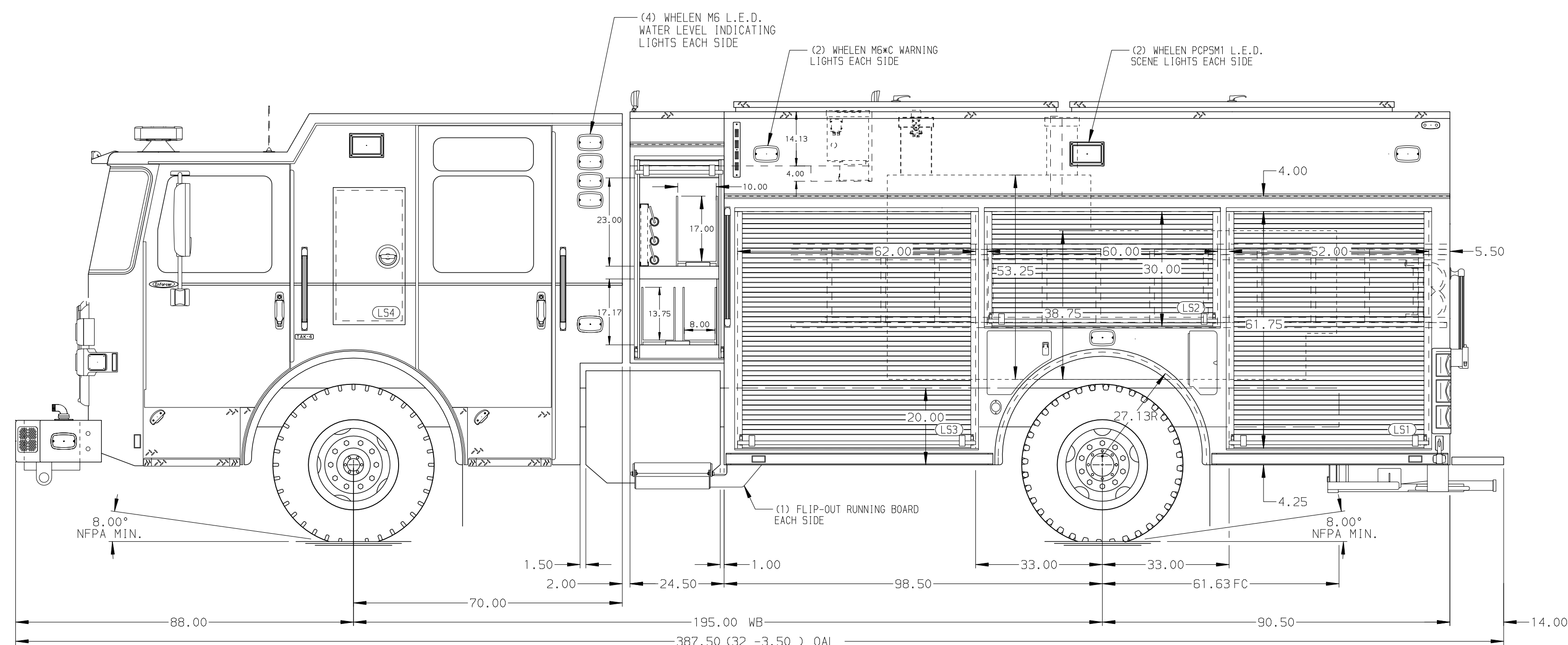
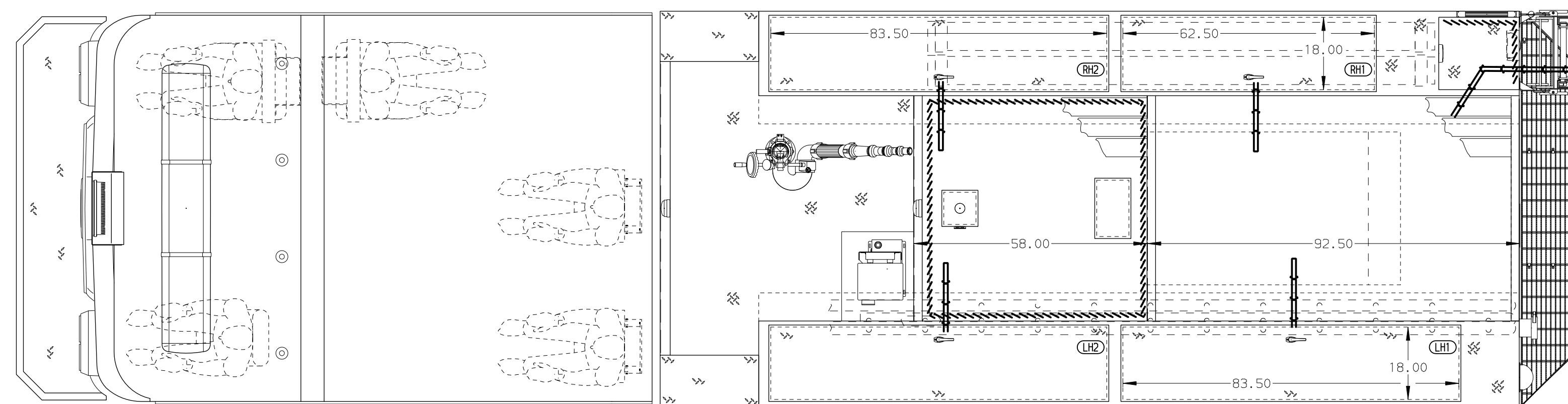
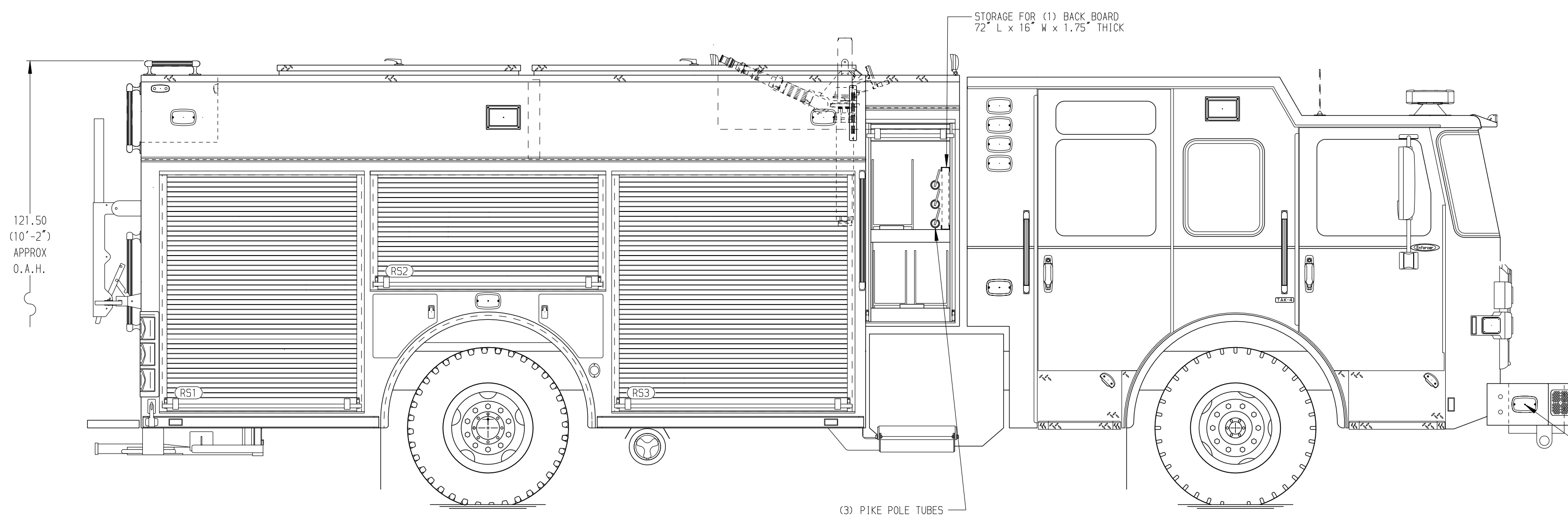
Side Roll and Frontal Impact Protection

NOTE

DIMENSIONS SHOWN ARE APPROXIMATE AND ARE SUBJECT TO MINOR DEVIATIONS AS MAY OCCUR OR BE NECESSARY IN CONSTRUCTION. MINOR DETAILS NOT SHOWN.

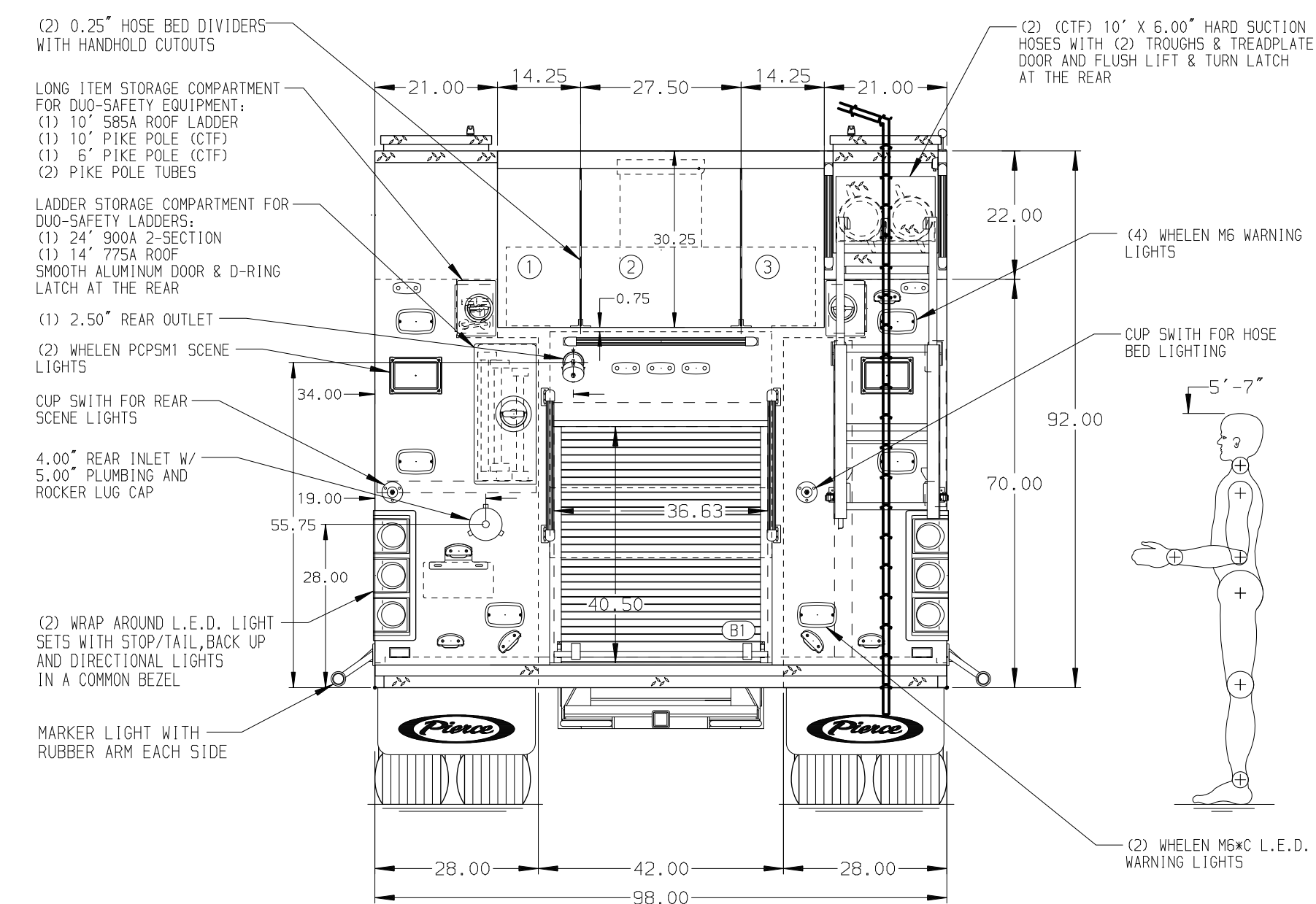
- ONE 1.50" OUTLET WITH 2.00" PIPING AND SMIVEL LOCATED ON TOP BUMPER LEFT SIDE
- SHORELINE RECEPTACLE WITH KUSSMAUL SUPER AUTO-EJECT LOCATED ON DRIVER SIDE SEAT RISER
- AIR INLET WITH DISCONNECT COUPLING ON THE DRIVER SIDE PUMP PANEL
- BATTERY CHARGER LOCATED IN COMPARTMENT PER SHOP ORDER
- BATTERY CHARGE INDICATOR LOCATED ON THE DRIVER SIDE SEAT RISER
- SIX ADJUSTABLE SHELVES IN COMPARTMENTS PER SHOP ORDER
- THREE FLOOR MOUNTED SLIDE-OUT TRAY IN COMPARTMENT PER SHOP ORDER
- ONE SWING-OUT TOOLBOARD LOCATED IN COMPARTMENT PER SHOP ORDER
- AUTOMATIC TIRE CHAINS
- WHEEL CHOCKS AND MOUNTING PROVIDED BY FIRE DEPARTMENT
- ONE SLIDE-OUT TRAY LOCATED PER SHOP ORDER

- TWO VERTICAL PARTITIONS IN COMPARTMENT PER SHOP ORDER
- PEERBOARD ON BACK WALL IN COMPARTMENTS PER SHOP ORDER



HOSEBED CAPACITY

- BED 1**
400' OF 2.50" D.J. POLY HOSE
- BED 2**
1000' OF 4.00" D.J. POLY HOSE
- BED 3**
500' OF 3.00" D.J. POLY HOSE



		JOB NO.	37405
		SCALE	DATE
TITLE	Pierce PUC Pumper Approval Drawing		
FOR	North Andover Fire Department Bid 550		
DWG NO.	37405AD		
REV	DATE	BY	CH
17DEC21	MMF	AST	
03NOV21	MMF	AST	
SHEET SIZE		SHEET NO.	
D		1 OF 1	

CHASSIS DATA	TITLE	Pierce PUC Pumper Approval Drawing	
MAKE	FOR	North Andover Fire Department Bid 550	
MODEL	DWG NO.	37405AD	
ENFORCER	REV	DATE	BY
	17DEC21	MMF	AST
	03NOV21	MMF	AST