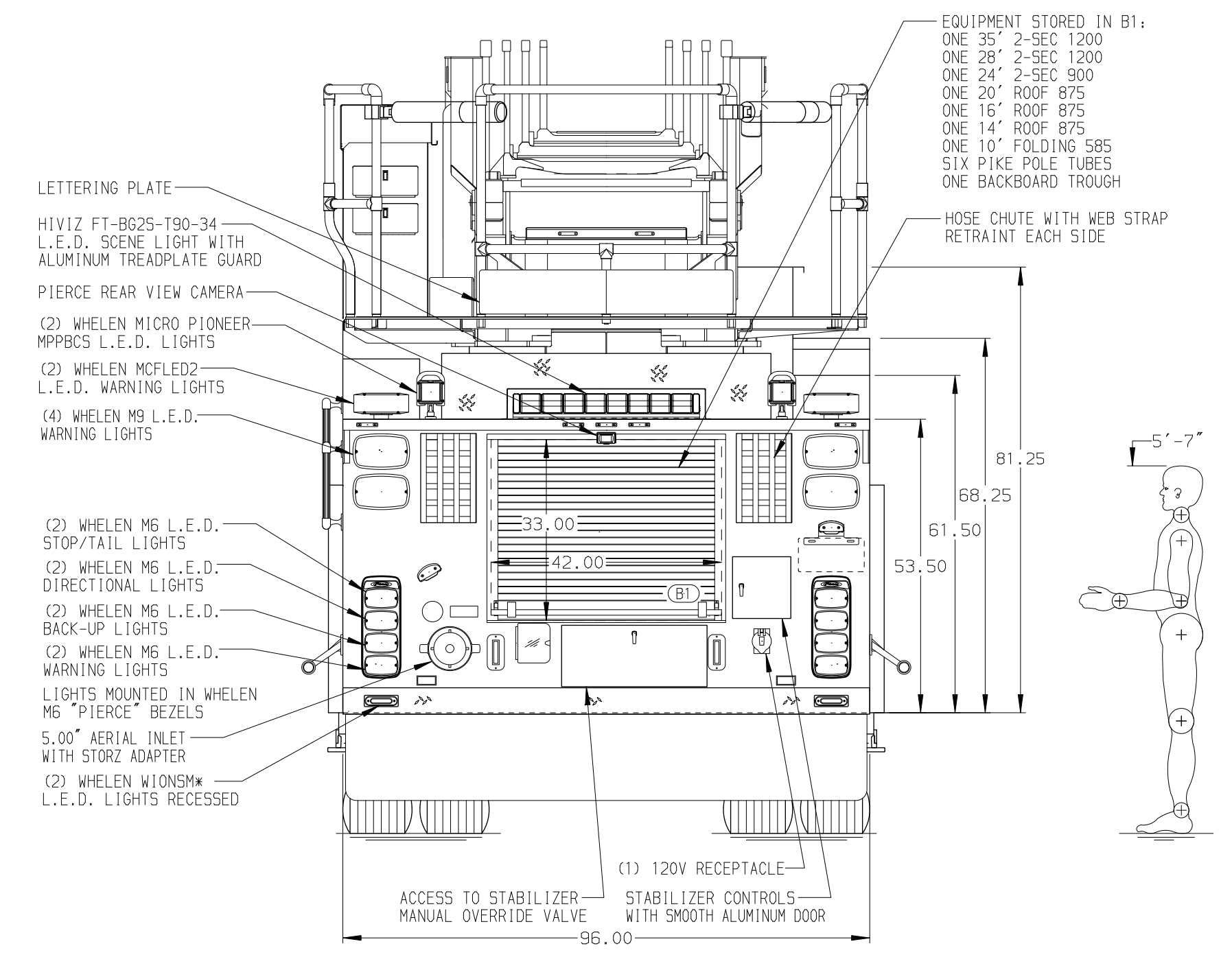
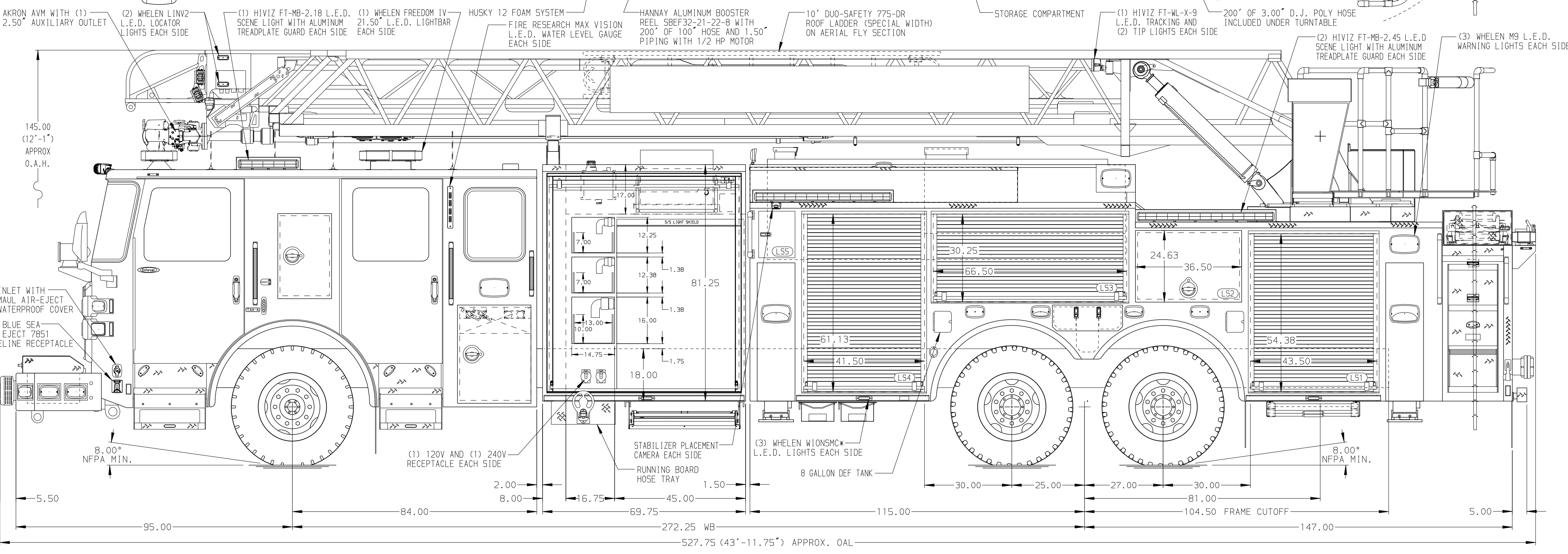
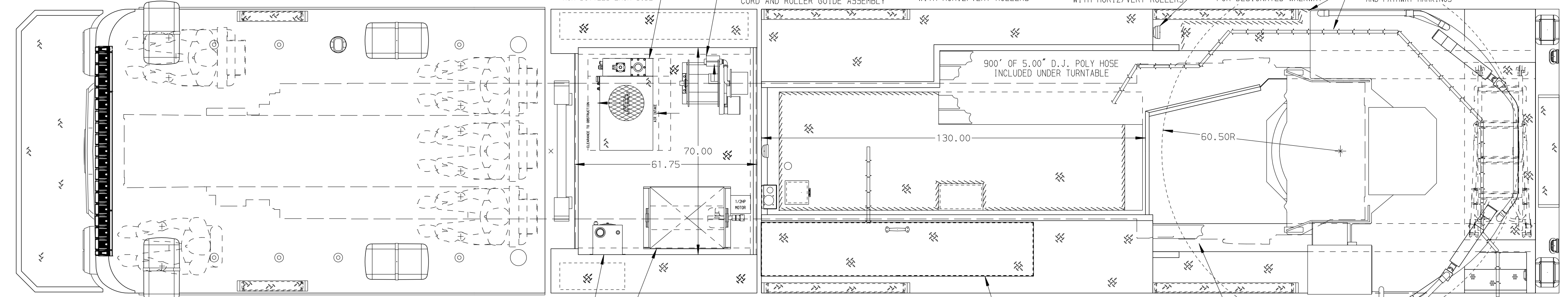
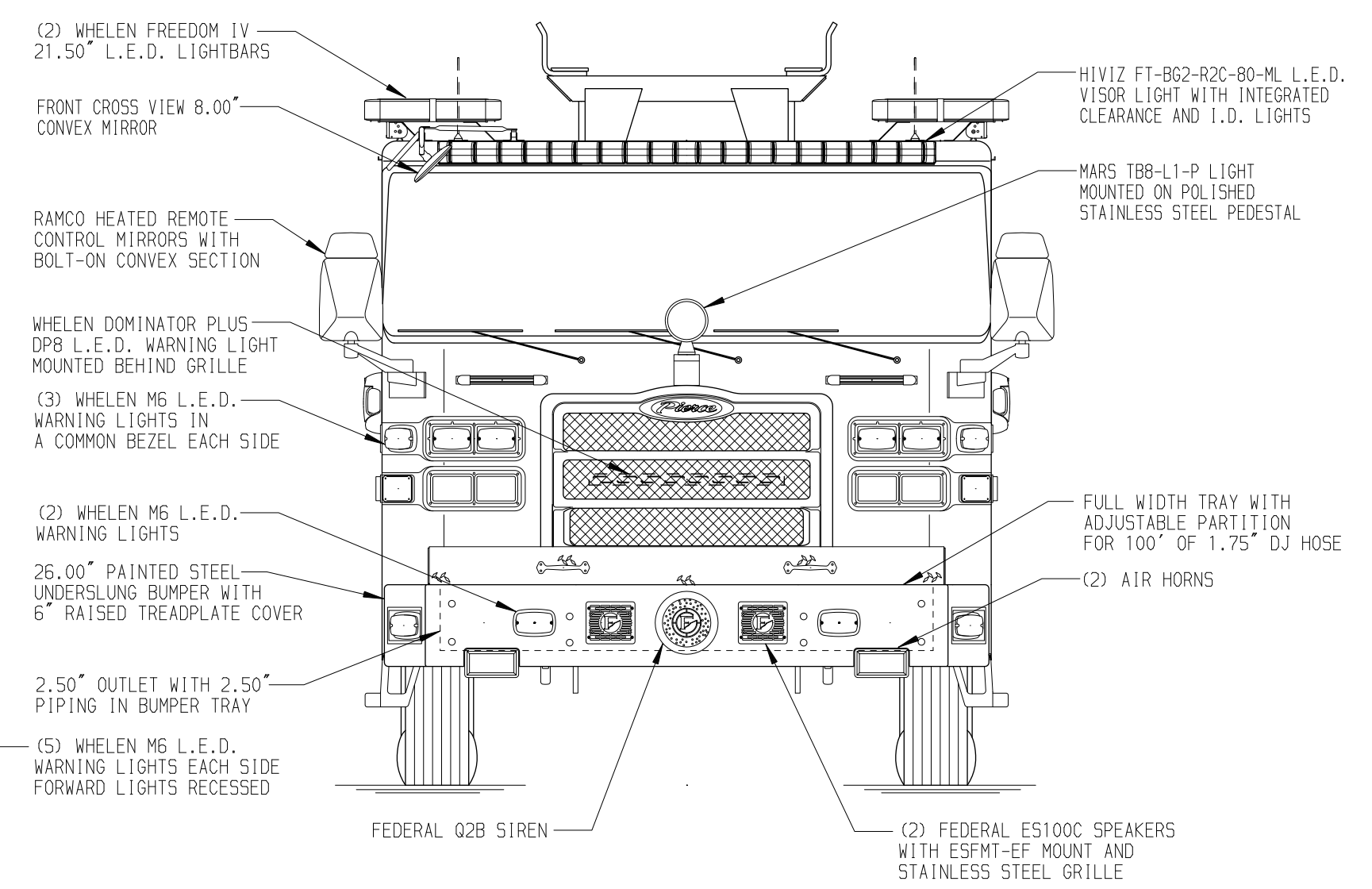
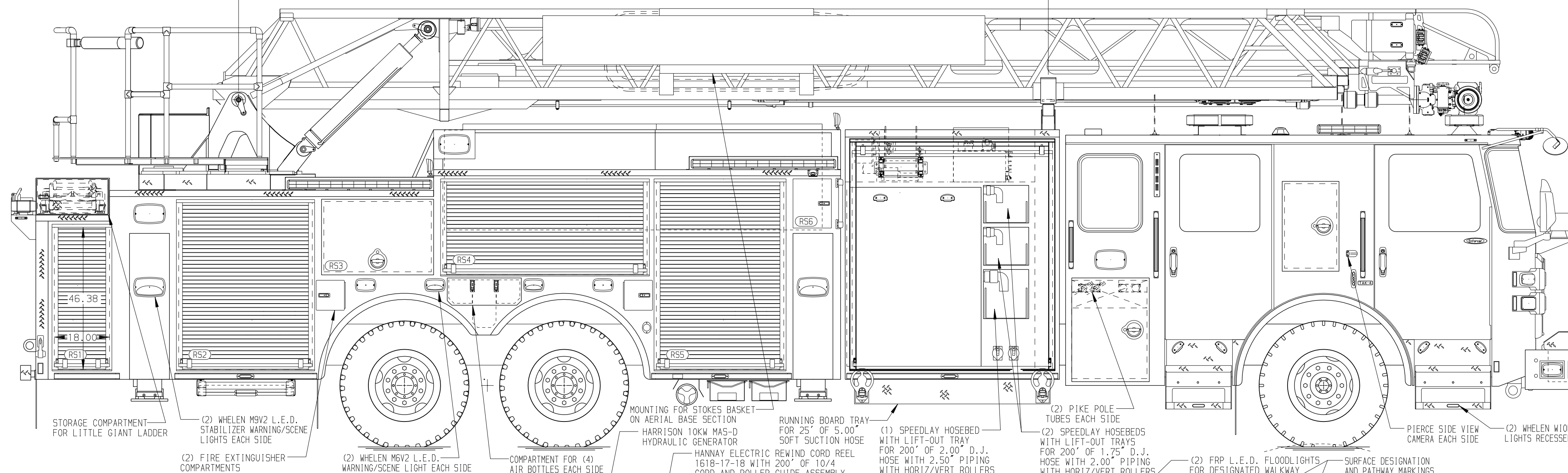


263.63



ALUMINUM BODY SIDE ROLL AND FRONTAL IMPACT PROTECTION

NOTE
 DIMENSIONS SHOWN ARE APPROXIMATE AND ARE SUBJECT TO MINOR DEVIATIONS AS MAY OCCUR OR BE NECESSARY IN CONSTRUCTION.
 MINOR DETAILS NOT SHOWN.

- ONSPOT AUTOMATIC TIRE CHAINS TO BE PROVIDED AT REAR
- AIR OUTLET WITH SHUT-OFF VALVE LOCATED PER ORDER
- BATTERY CHARGER LOCATED IN CAB EMS COMPARTMENT PER ORDER
- BATTERY CHARGER INDICATOR LOCATED ON DRIVER'S SEAT RISER
- L.E.D. LIGHT STRIPS LOCATED IN THE HOSE BED PER ORDER
- STABILIZER COMPARTMENTS MODIFIED FOR 18" GROUND PENETRATION
- 5-STILL DRIP PAN/GUARD FOR EACH ROLL-UP DOOR PER ORDER
- PULL STRAP ON EACH ROLL-UP DOOR PER ORDER
- ONE ADJUSTABLE SLIDE-OUT TRAY IN COMPARTMENT PER ORDER
- TWELVE ADJUSTABLE FULL WIDTH/FULL DEPTH SHELVES IN COMPARTMENTS PER ORDER
- FOUR FLOOR MOUNTED SLIDE-OUT TRAYS IN COMPARTMENTS PER ORDER
- PAC TRAC ON BACK WALL OF COMPARTMENT PER ORDER
- ONE ALUMINUM SWING-OUT TOOLBOARD WITH PAC TRAC IN COMPARTMENT PER ORDER
- ONE ALUMINUM SWING-OUT TOOLBOARD WITH PAC TRAC IN COMPARTMENT PER ORDER
- ONE VERTICAL PARTITION IN COMPARTMENT PER ORDER
- CIRCUIT BREAKER PANEL IN COMPARTMENT PER ORDER
- EIGHT 120V DUPLEX RECEPTACLES LOCATED IN COMPARTMENTS PER ORDER
- TRIDENT FOLDING STEPS ON AERIAL DEVICE
- AERIAL WIRELESS REMOTE CONTROL
- L.E.D. LIGHTING ON AERIAL LADDER SECTIONS

- DC POWER TO AERIAL TIP
- 2-WAY INTERCOM SYSTEM BETWEEN AERIAL TIP AND TURNABLE
- LIFTING EYE ROPE RESCUE ATTACHMENT AT AERIAL TIP
- 1500 GPM HIGH FLOW WATERWAY
- AERIAL PEDESTAL RAISED 8.00"
- NO LIMITED RETRACTION ON AERIAL DEVICE
- TWO POLY TOOL BOXES LOCATED IN COMPARTMENTS PER ORDER
- MOUNTING BRACKETS FOR (1) 10' PIKE POLE ON AERIAL FLY SECTION

CHASSIS DATA	MAKE	PIERCE
MODEL	ENFORCER	
REV	DATE	BY
14NOV22	SHU	CLM
30JUN22	SHU	CW1

Pierce MANUFACTURING INC.

JOB NO. 37418

SCALE 1:24 DATE

TITLE 107' ASL AERIAL LADDER AND BODY ASSEMBLY
 550 GALLON TANK, 500 GAL WATER/50 GAL FOAM

FOR ZONETON FIRE PROTECTION DISTRICT
 SHEPHERDSVILLE, KY

DWG NO. 37418AD

CHECKED BY NDA DATE 03MAY22

SHEET SIZE D SHEET NO. 1 OF 1