

PUMPER BODY

Long Aluminum 2nd Gen Pumper

CHASSIS

Enforcer Chassis

CHASSIS AXLE, FRONT, CUSTOM

19,500 Lb TAK-4 Axle

AXLE, REAR

27,000 Lb Dana Axle

ENGINE

450 HP Cummins L9 Engine

TRANSMISSION

Allison 5th Gen, 3000 EVS P

BUMPER

22" Extended Painted Steel

CAB

7000 Enforcer Cab

BODY WATER TANK

1000 Gallon Poly Water Tank

COMPT, PUMPER, REAR

37.75" FF RollUp Rear Compt

COMPT, PUMPER, LEFT SIDE

161" RollUp Full Height & Depth Front & Rear

COMPT, PUMPER, RIGHT SIDE

161" RollUp Full Height Front & Rear FDLER

FIRE SUPPRESSION PUMPHOUSE

52" Control Zone Side Mount

PUMP

1500 GPM Waterous CSU

CROSSLAYS, 1.50"

(2) 1.50" Standard Capacity

CROSSLAYS, 2.50"

(1) 2.50" Standard Capacity

SPEEDLAYS

SpeedLays Not Required

GENERATOR

6kW MCR Generator

Foam System

Foam System Not Required

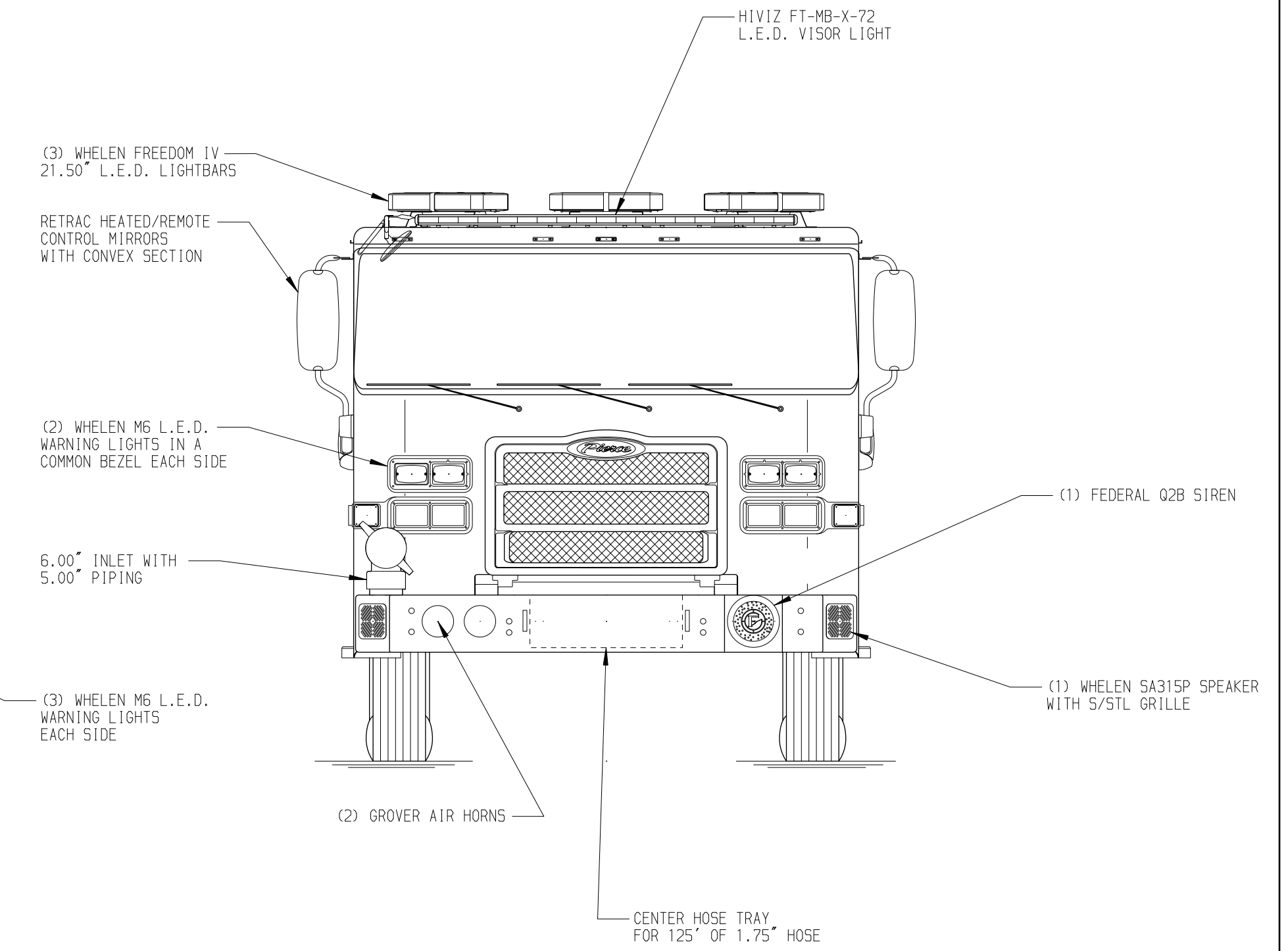
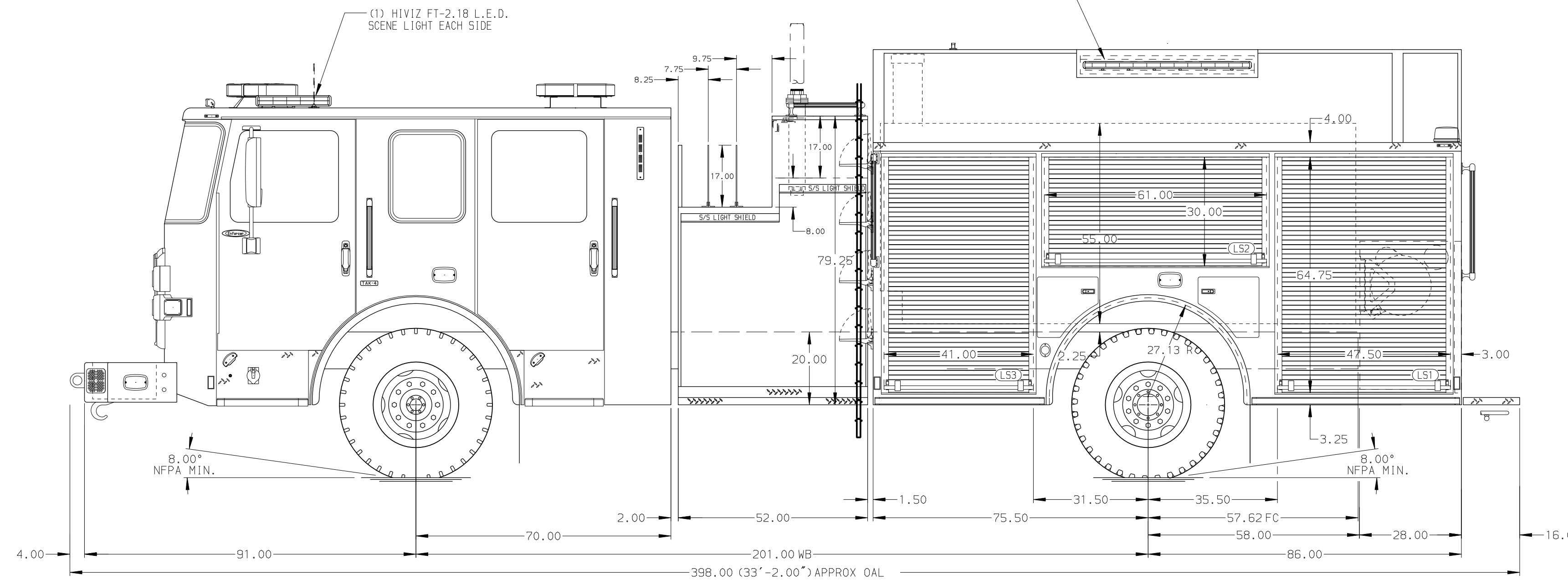
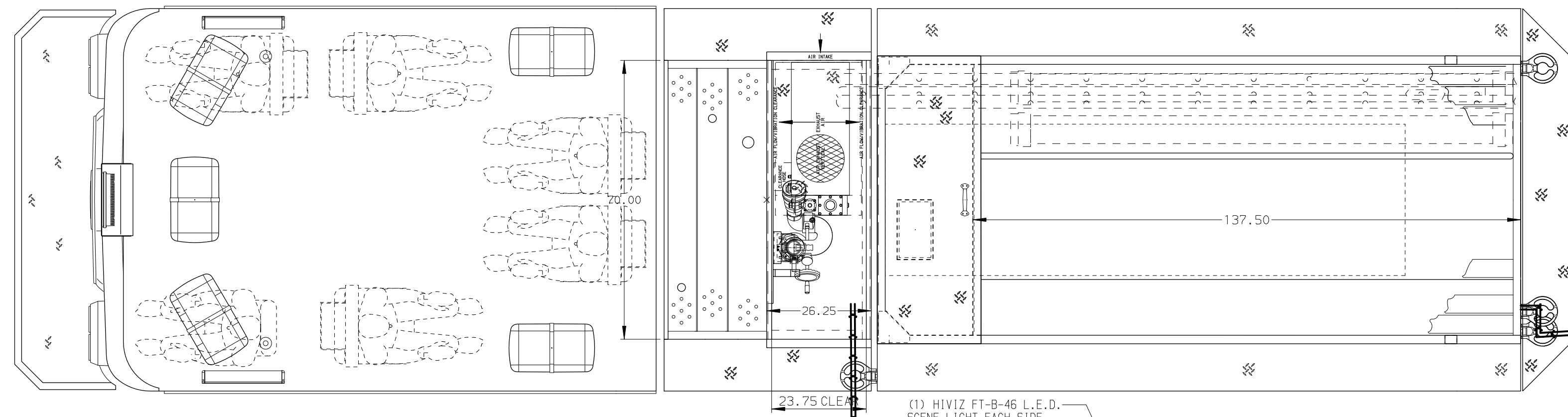
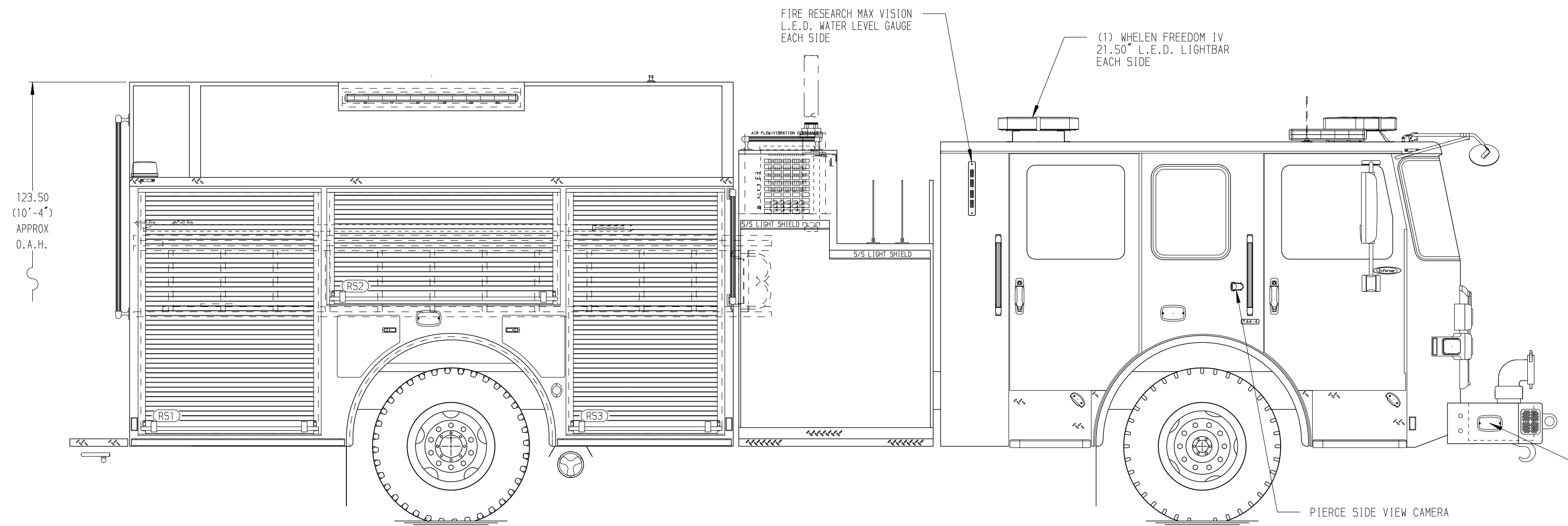
Foam Cell

Foam Cell Not Required

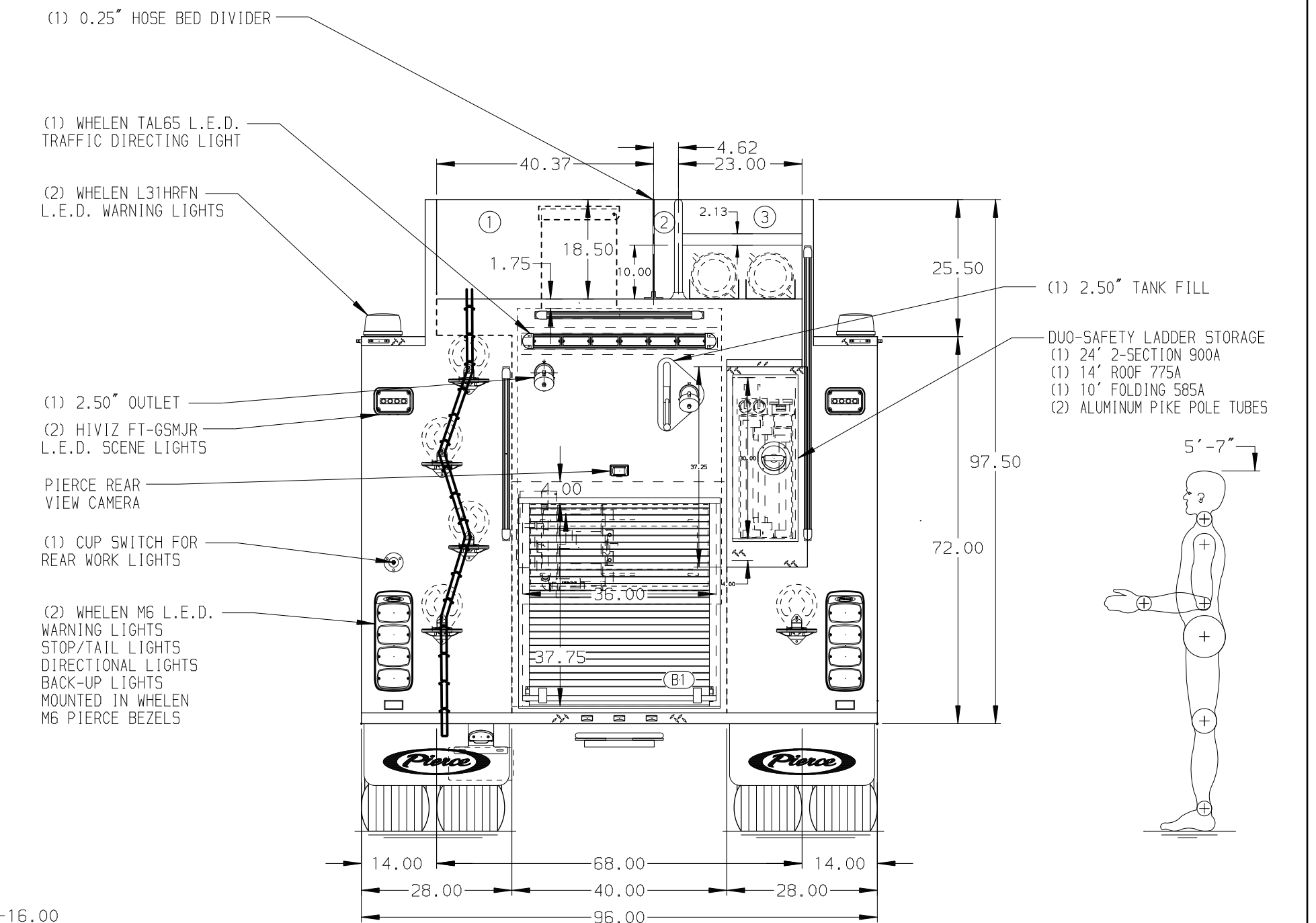
Side Roll and Frontal Impact Protection

NOTE
DIMENSIONS SHOWN ARE APPROXIMATE AND ARE SUBJECT TO MINOR DEVIATIONS AS MAY OCCUR OR BE NECESSARY IN CONSTRUCTION. MINOR DETAILS NOT SHOWN.

- ONE 1.50" OUTLET WITH 2.00" PIPING AND SWIVEL LOCATED IN CENTER BUMPER TRAY
- SHORELINE RECEPTACLE LOCATED DRIVER SIDE STEPMELL
- AIR INLET WITH DISCONNECT COUPLING IN THE DRIVER SIDE STEPMELL
- BATTERY CHARGER LOCATED IN COMPARTMENT PER SHOP ORDER
- BATTERY CHARGE INDICATOR LOCATED ON THE DRIVER SIDE SEAT RISER
- FOUR ADJUSTABLE SHELVES IN COMPARTMENTS PER SHOP ORDER
- ONE FLOOR MOUNTED SLIDE-OUT TRAY IN COMPARTMENT PER SHOP ORDER
- ONE SWING OUT TOOLBOARD LOCATED IN COMPARTMENT PER SHOP ORDER
- ONE VERTICAL PARTITION LOCATED IN COMPARTMENT PER SHOP ORDER
- HANNAY CORD REEL 1616-17-18 WITH 200' OF 12/3 CABLE LOCATED IN COMPARTMENT B1



HOSEBED CAPACITY	
BED 1	1000' OF 5.00" D.J. POLY HOSE
BED 2	200' OF 1.75" D.J. POLY HOSE
BED 3	300' OF 2.50" D.J. POLY HOSE



CUSTOMER APPROVAL

APPROVED BY: _____
DATE: _____



JOB NO.	37445
SCALE	1:24
DATE	DATE
DRAWN BY	MMF
CHECKED BY	COL
SHEET SIZE	D
SHEET NO.	1 OF 1

TITLE	Pierce Pumper Approval Drawing
MAKE	PIERCE
MODEL	ENFORCER
DWG NO.	37445AD

FOR	Lyons Fire District Bid 857
DWG NO.	37445AD