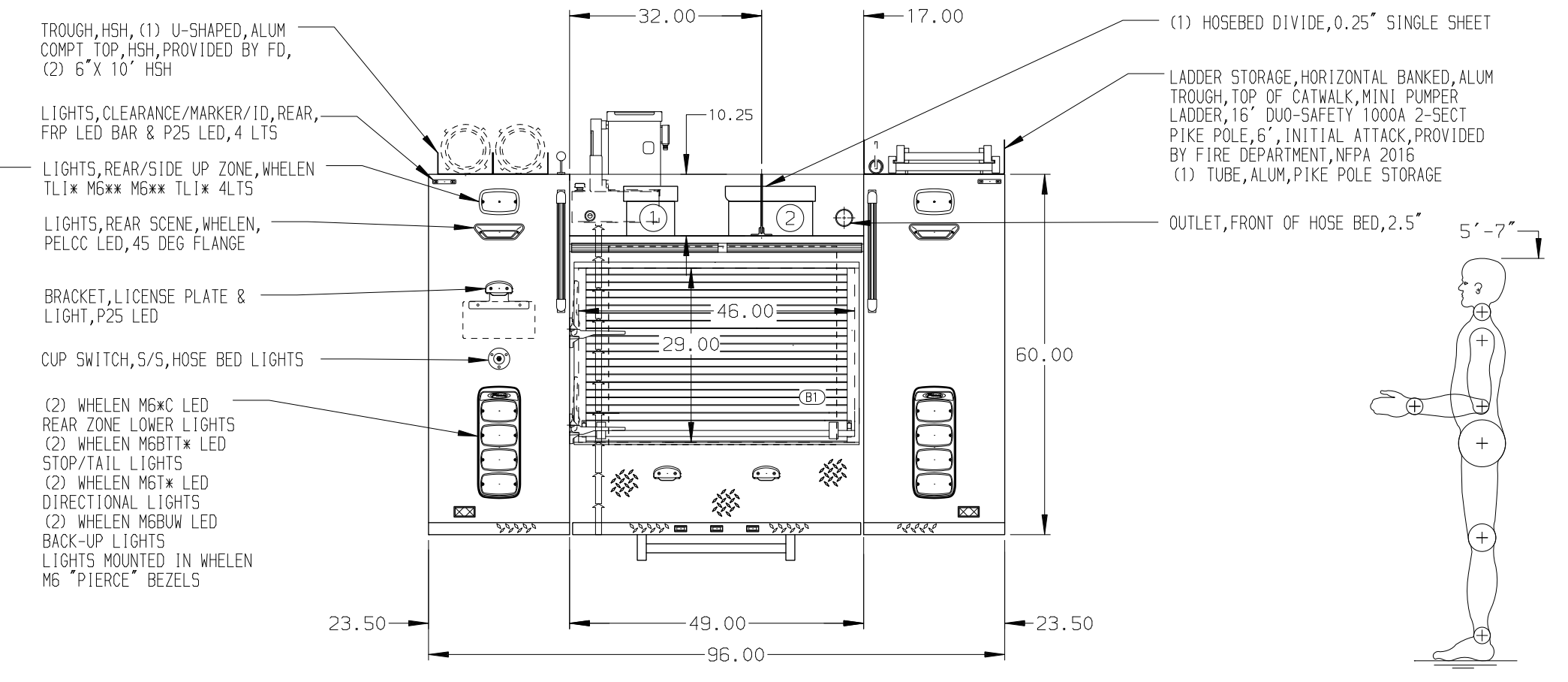
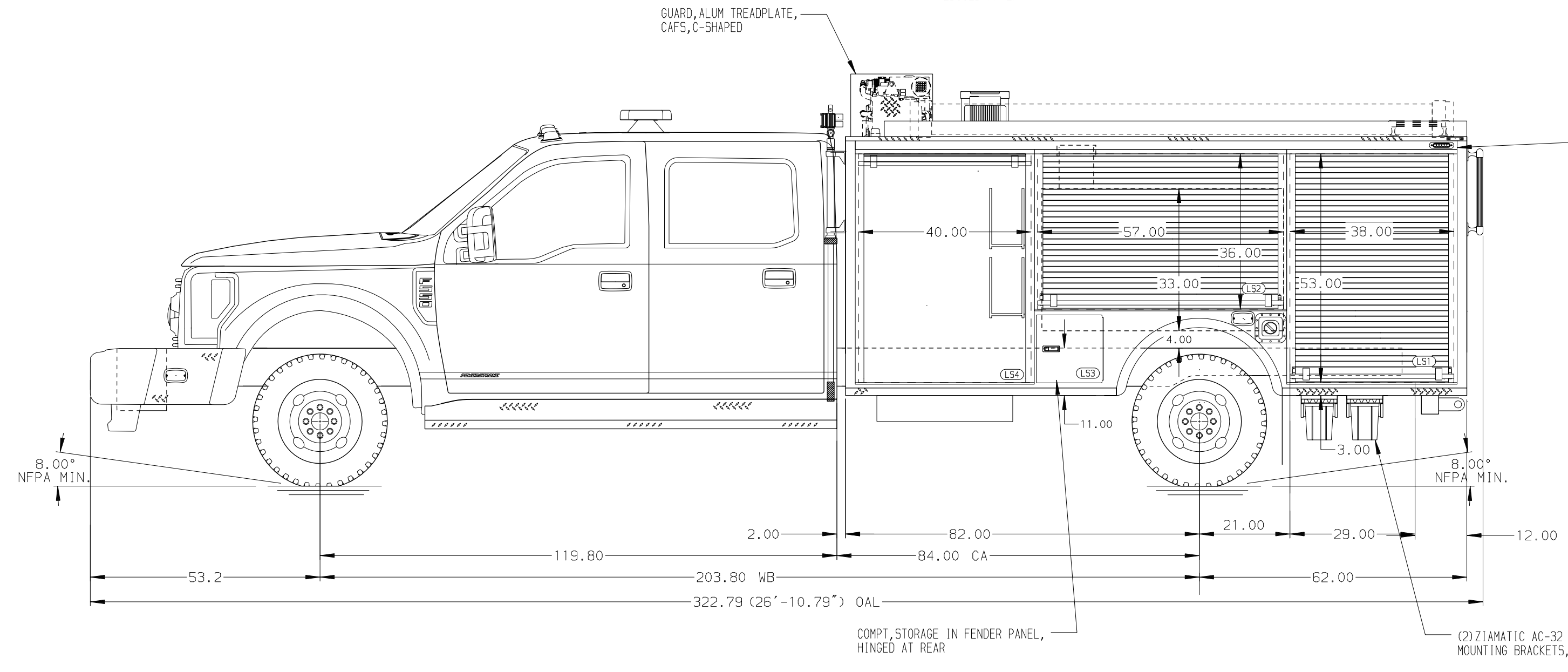


HOSEBED CAPACITIES

- ① 400' OF 5.00" D.J. POLYESTER HOSE
- ② 150' OF 2.50" D.J. POLYESTER HOSE



ALUMINUM BODY

NOTE
DIMENSIONS SHOWN ARE APPROXIMATE AND ARE SUBJECT TO MINOR DEVIATIONS AS MAY OCCUR OR BE NECESSARY IN CONSTRUCTION. MINOR DETAILS NOT SHOWN.

PIERCE MANUFACTURING INC. BRADENTON, FLORIDA		JOB NO.	37488
		DATE	SCALE 1:24
TITLE	1500-D-230P, 20 GAL FOAM, 84"CA, MINI PUMPER BODY (2) SPEEDLAYS	16AUG22	DRAWN BY JLA
FOR	JAY TOWNSHIP VFD BYRNEDALE, PENNSYLVANIA	16AUG22	CHK'D BY RWI
DRWG. NO.	37448AD	SHEET NO.	SHEET SIZE
		1 OF 1	D

REV.	DATE	BY	CHK'D	CHASSIS DATA
17JUL23	WHO	CCS		CHASSIS DATA
21NOV22	JLA	CCS		CHASSIS FORD
23SEP22	JLA	RWI		MODEL F-550 4X4