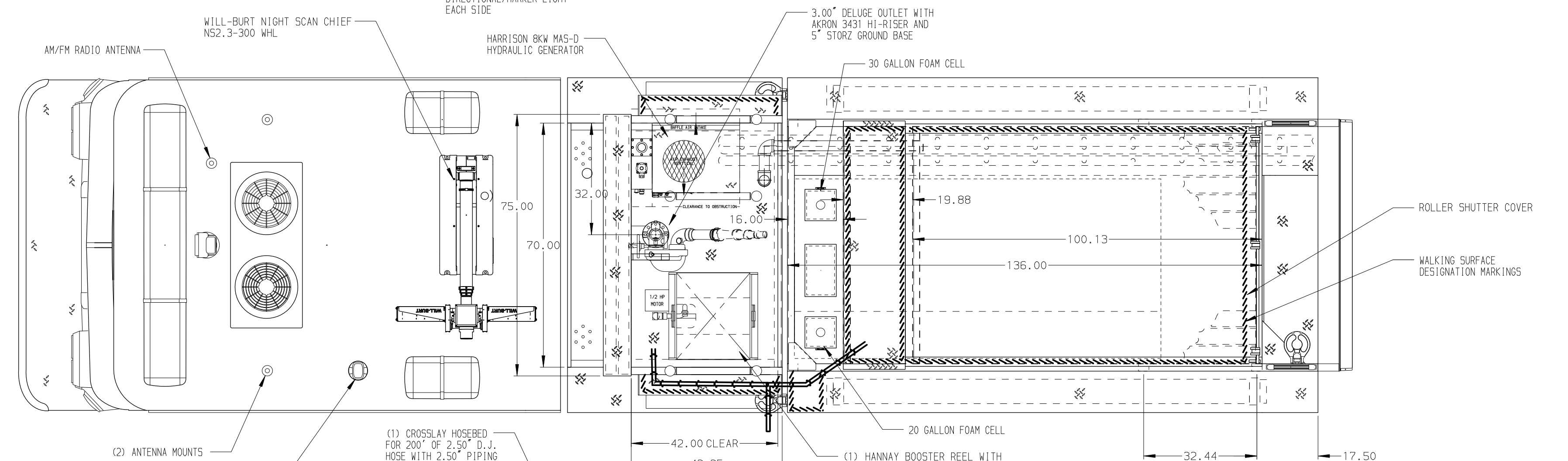
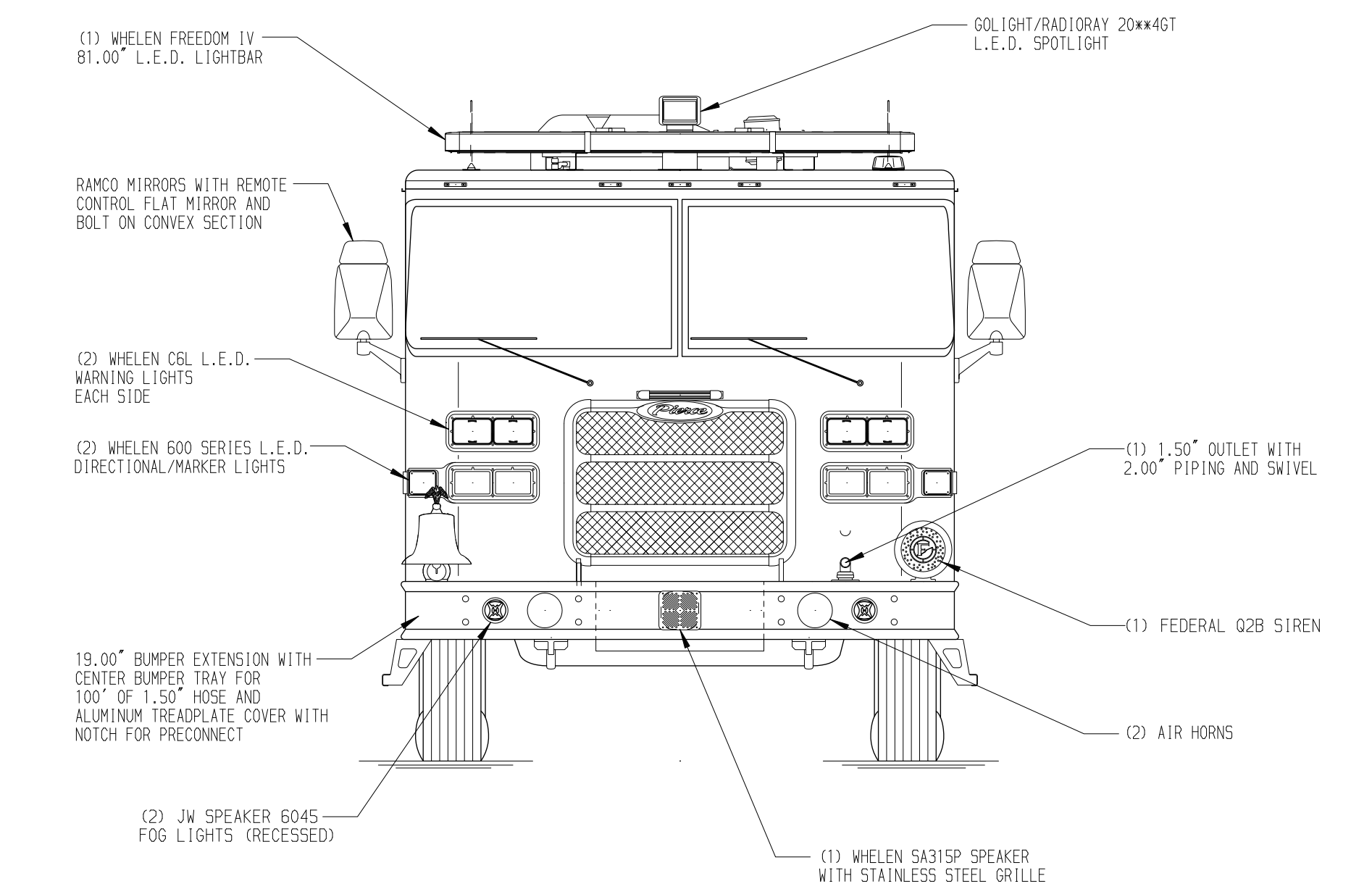
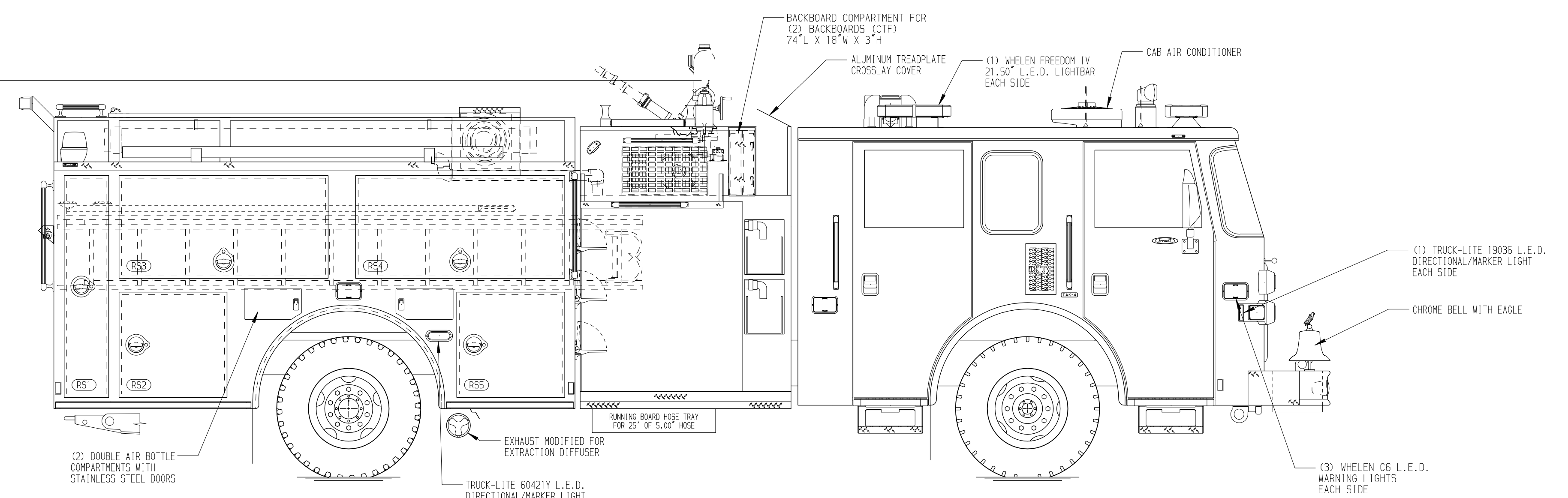
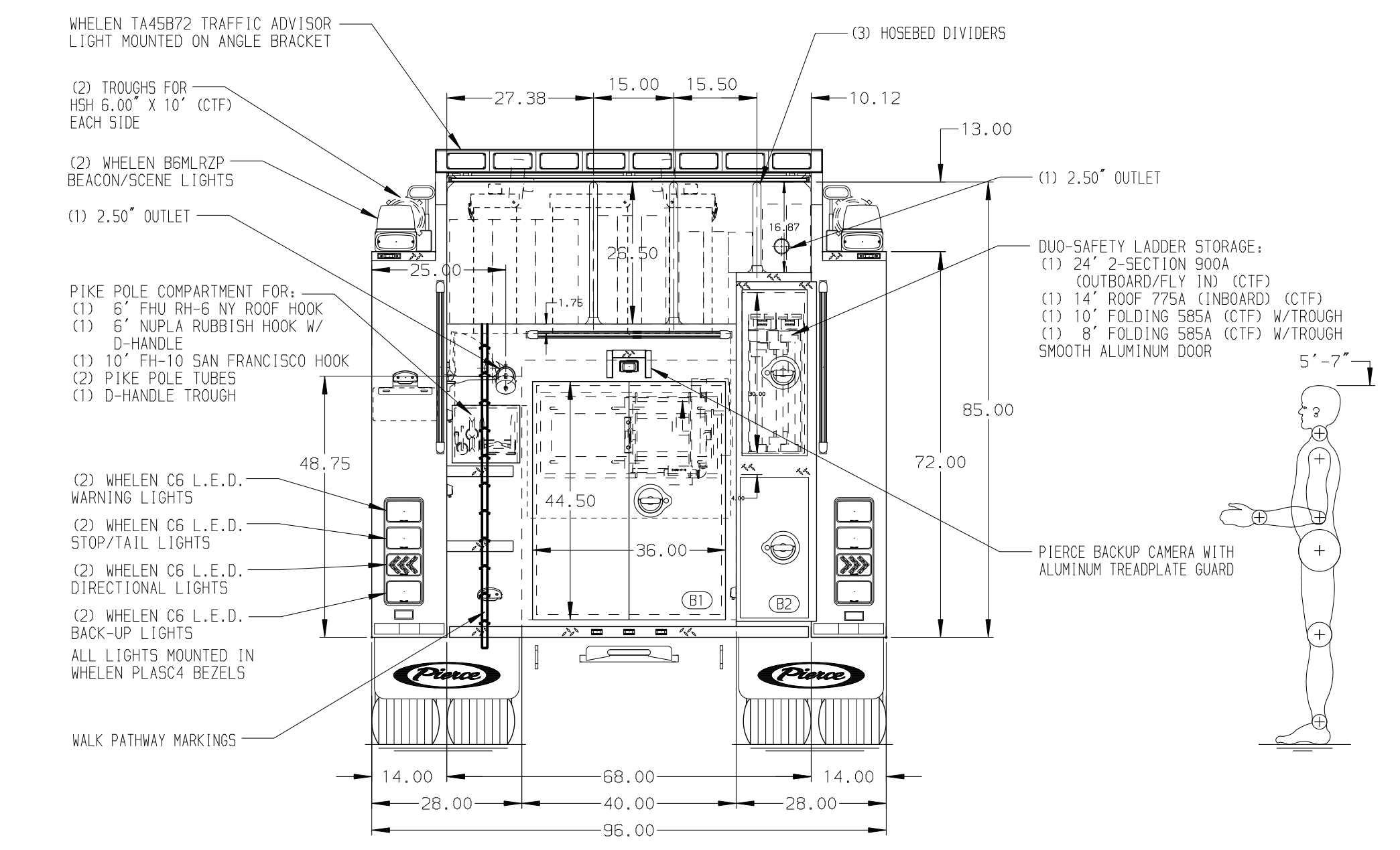
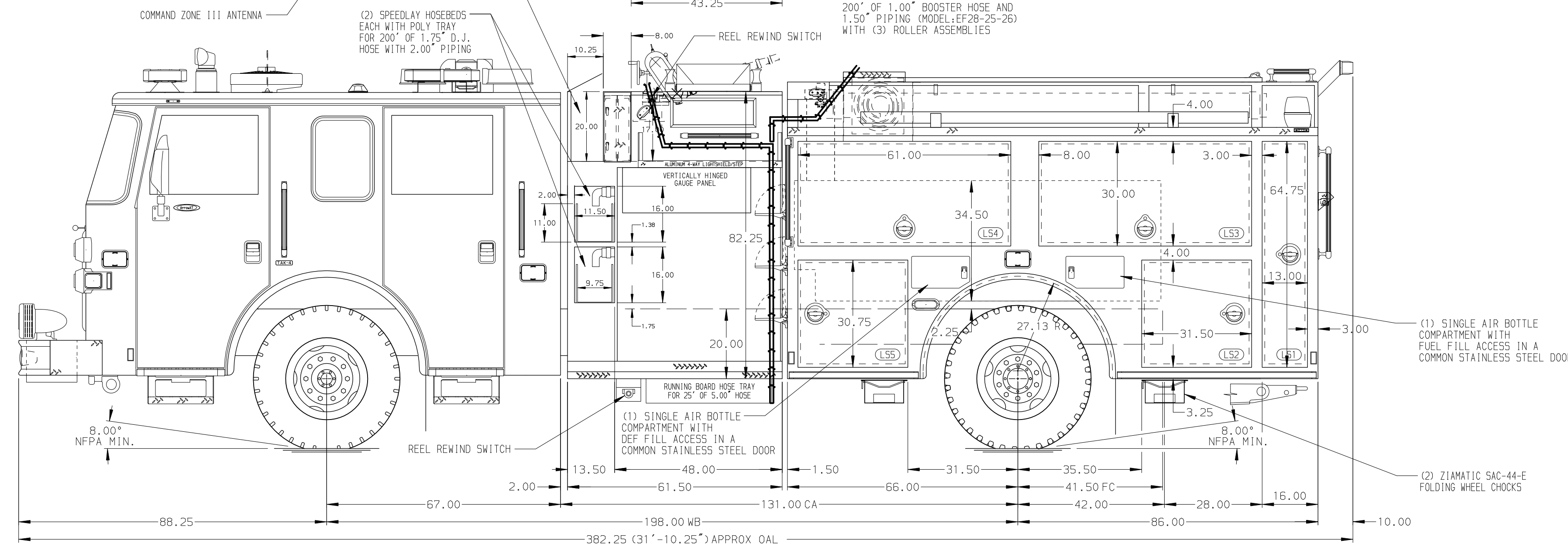


119.00
(9'-11")
APPROX
O.A.H.



- HOSEBED CAPACITIES
- ① 600' OF 5.00" D.J.P HOSE
 - ② 600' OF 2.50" D.J.P HOSE
 - ③ 400' OF 2.50" D.J.P HOSE
 - ④ 250' OF 2.50" D.J.P HOSE



GALVANNEAL

NOTE
DIMENSIONS SHOWN ARE APPROXIMATE AND ARE SUBJECT TO MINOR DEVIATIONS AS MAY OCCUR OR BE NECESSARY IN CONSTRUCTION. MINOR DETAILS NOT SHOWN.

1. AIR OUTLET WITH SHUT OFF VALVE LOCATED ON DS PUMP PANEL
2. BATTERY CHARGER LOCATED IN BODY COMPARTMENT PER ORDER
3. BATTERY CHARGER INDICATOR LOCATED AT DRIVER'S SIDE STEP AREA
4. SHORELINE RECEPTACLE LOCATED AT DRIVER'S SIDE STEP AREA
5. DUAL L.E.D. LIGHT STRIPS LOCATED IN HOSE BED
6. DUAL L.E.D. LIGHT STRIPS LOCATED IN CARBO AREA
7. KEYPED LOCKS FOR LATCHES FOR ALL SIDE BODY AND REAR COMPARTMENTS
8. REVERSED HINGED DOOR ON COMPARTMENT L55
9. DUAL L.E.D. LIGHT STRIPS LOCATED ON COMPARTMENT DOORS PER ORDER
10. FOUR PULL STRAPS FOR COMPARTMENT DOORS LOCATED PER ORDER
11. TEN ADJUSTABLE FULL WIDTH/DEPTH SHELVES LOCATED PER ORDER
12. ONE FLOOR MOUNTED SLIDE-OUT TRAY LOCATED PER ORDER
13. PARTITION BETWEEN COMPARTMENTS L51/B1 AND RS1/B1
14. ONE PEGBOARD W/TRACK ON BACK WALL LOCATED PER ORDER
15. FOAM PRO 2002 DUAL AGENT FOAM SYSTEM PUMP LOCATED PER SHOP ORDER
16. ERNST SIGHT WATER LEVEL GAUGE
17. CIRCUIT BREAKER PANEL IN LOCATED IN COMPARTMENT PER ORDER
18. ONE HANNAY ELECTRIC REWIND CORD REEL MODEL 1618-17-18 LOCATED IN COMPARTMENT B1 WITH 200' OF 12/3 CABLE AND CAPTIVE ROLLER ASSEMBLY

		JOB NO.	37449
		SCALE	DATE
Pierce MANUFACTURING INC.		DRAWN BY	SAM
TITLE 1500-D-550P, 500G WATER W/30G & 20G FOAM, 136" BODY (1) CROSSLAY, (2) SPEEDLAYS, LADDERS BTWN TANK & SS		CHECKED BY	WKL
FOR CITY OF WEST SACRAMENTO FIRE DEPARTMENT WEST SACRAMENTO, CALIFORNIA		SHEET SIZE	SHEET NO.
DWG NO.		37449AD	
REV	DATE	BY	CH
09FEB23		SAM	AST
17OCT22		SAM	AST
23SEP22		LME	AST
ARROW	XT		