

Pumper, PUC

BODY

Pumper, PUC, Aluminum

CHASSIS

Impel Chassis, PUC

CHASSIS AXLE, FRONT, CUSTOM

18,000 Lb TAK-4 Axle

AXLE, REAR

31,000 Lb Meritor Axle

ENGINE

450 HP Cummins L9 Engine

TRANSMISSION

Allison 5th Gen, 3000 EVS P

BUMPER

19" Extended Stainless Steel

CAB

7010 Impel FR Cab, PUC

BODY

WATER TANK

950 Gallon Poly Water Tank

COMPT, PUMPER, REAR

40.50" FF RollUp Rear Compt w/Tailboard, PUC

COMPT, PUMPER, LEFT SIDE

189" RollUp Full Height & Depth Front & Rear, PUC

COMPT, PUMPER, RIGHT SIDE

189" RollUp Full Height & Depth Front & Rear, PUC

FIRE SUPPRESSION PUMPHOUSE

Control Zone, PUC

PUMP

1500 GPM Pierce PUC

CROSSLAYS, 1.50"

(2) 1.50", Poly Trays, 200"

CROSSLAYS, 2.50"

(1) 2.50", Poly Tray, 200"

GENERATOR

Generator Not Required

Foam System

Husky 3 Single Agent Foam System

Foam Cell

20 Gallon Foam Cell, Reduced Water, PUC

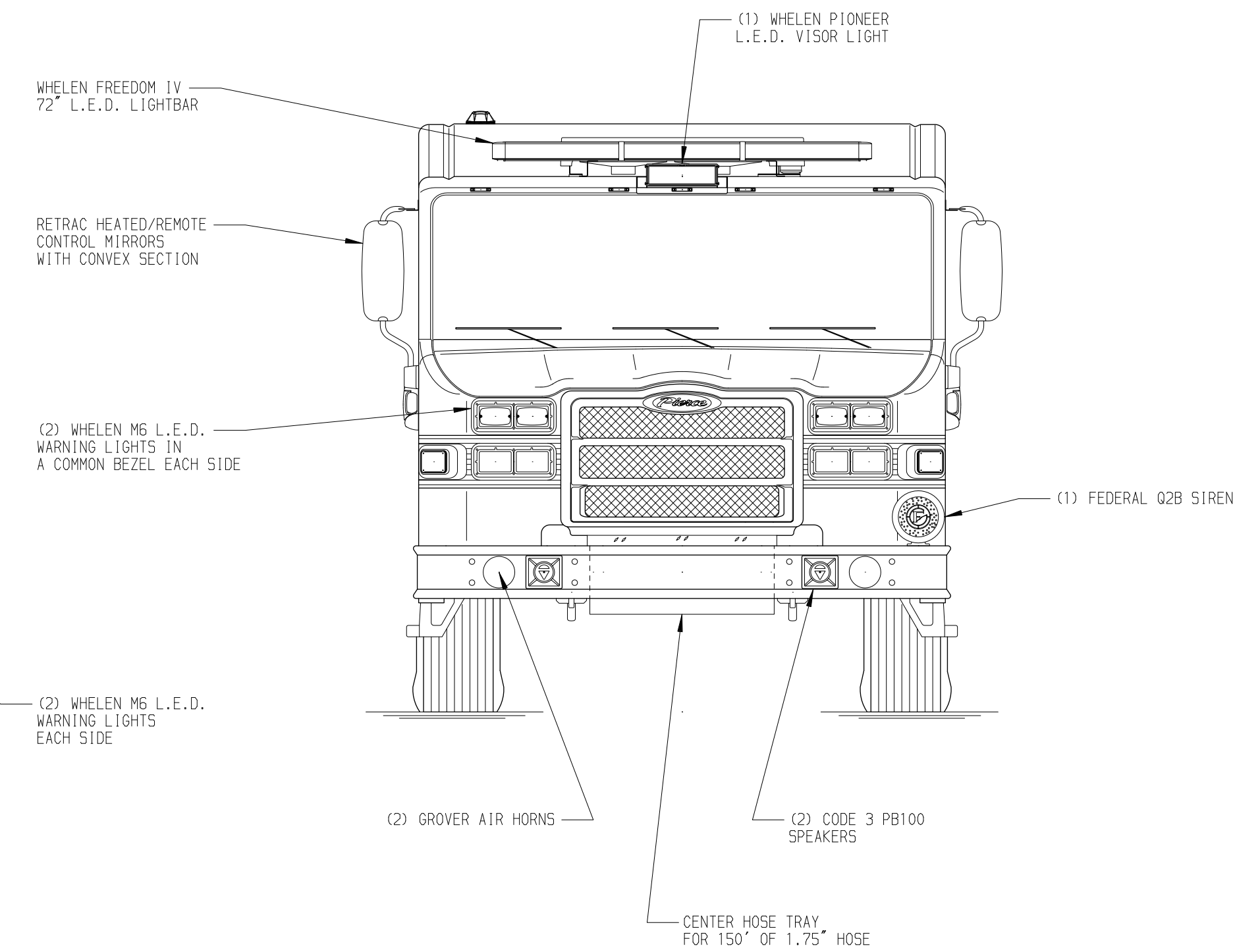
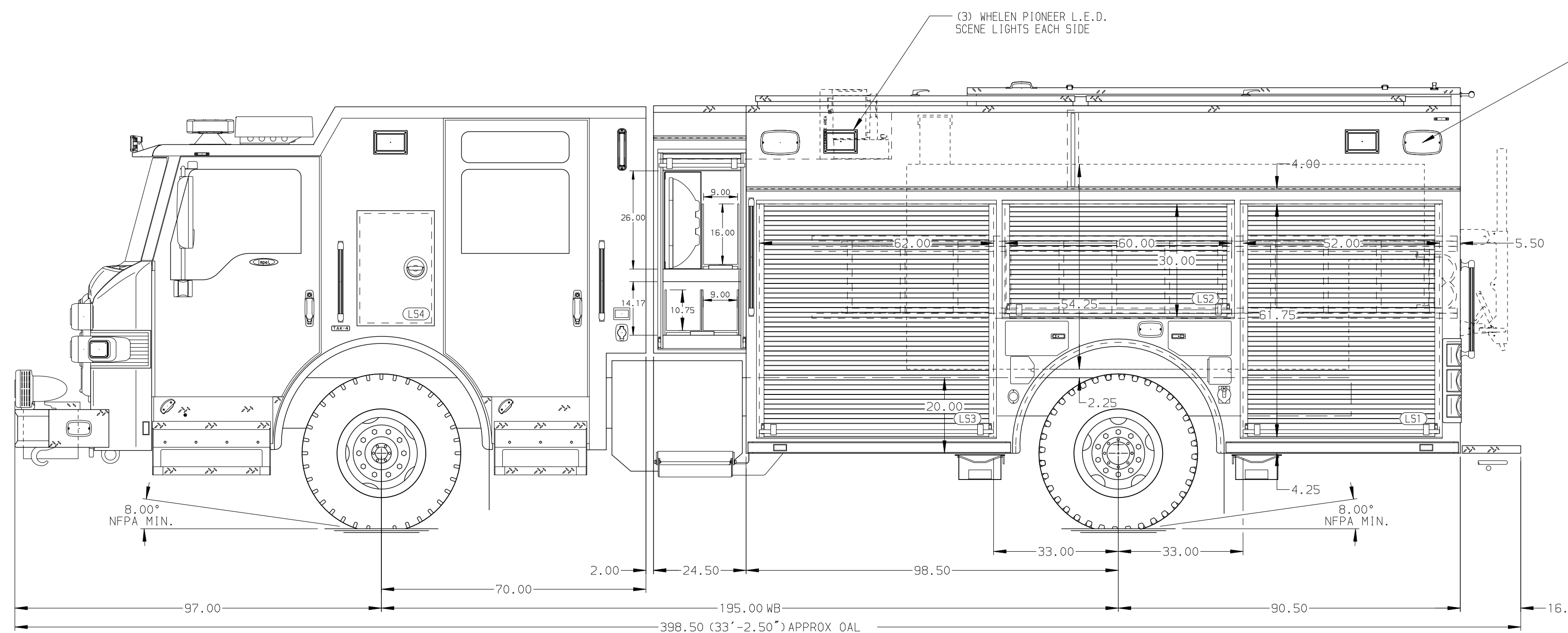
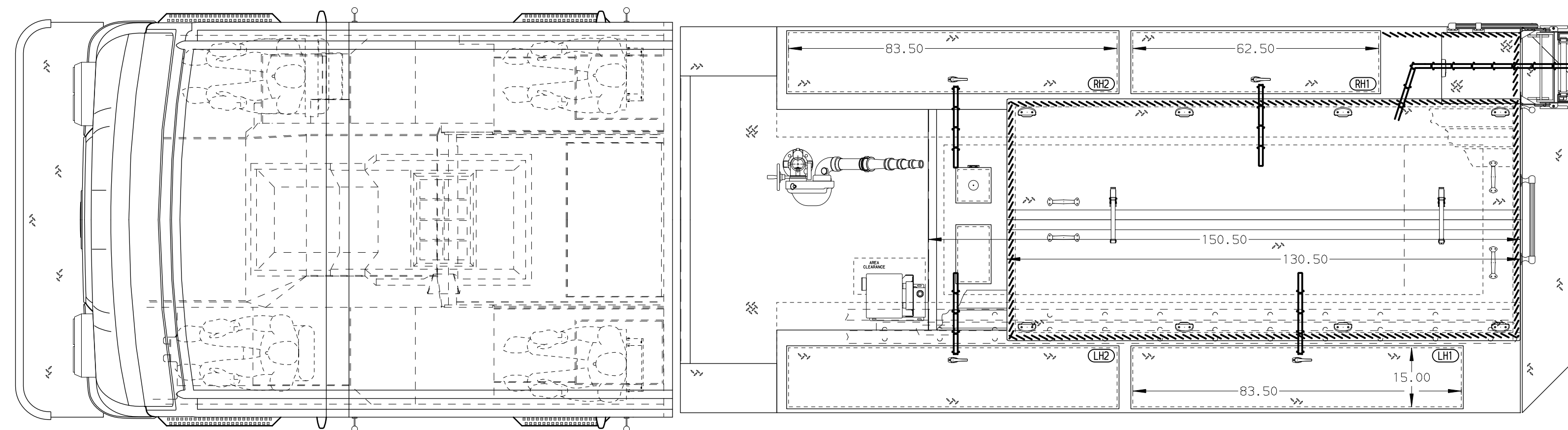
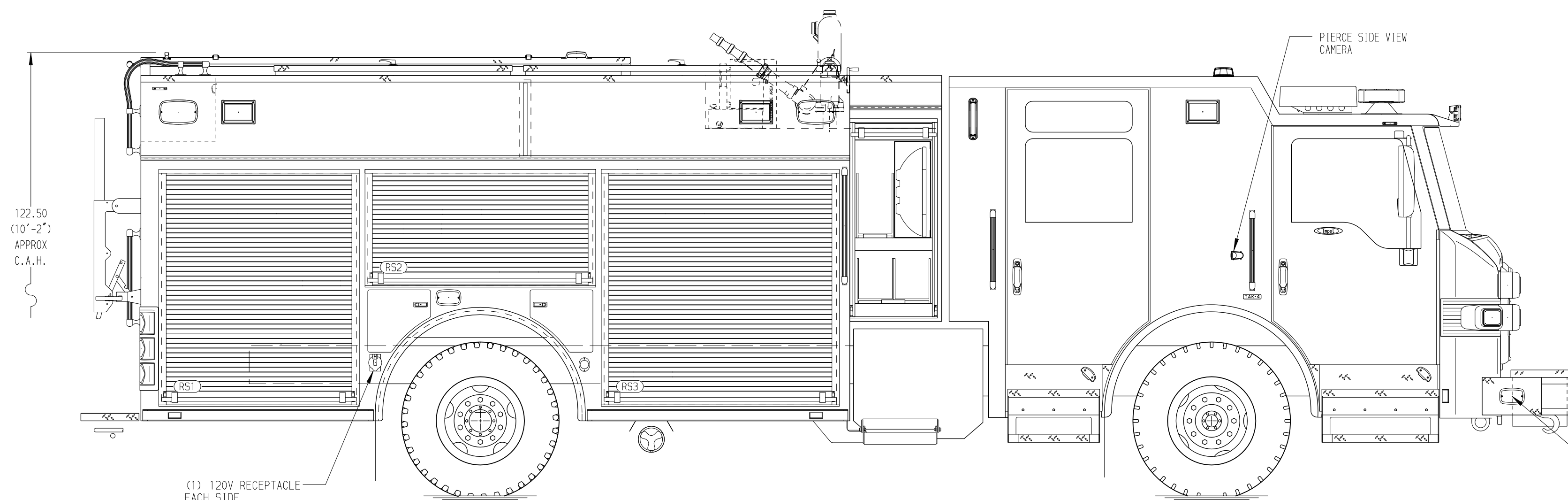
Side Roll and Frontal Impact Protection

NOTE

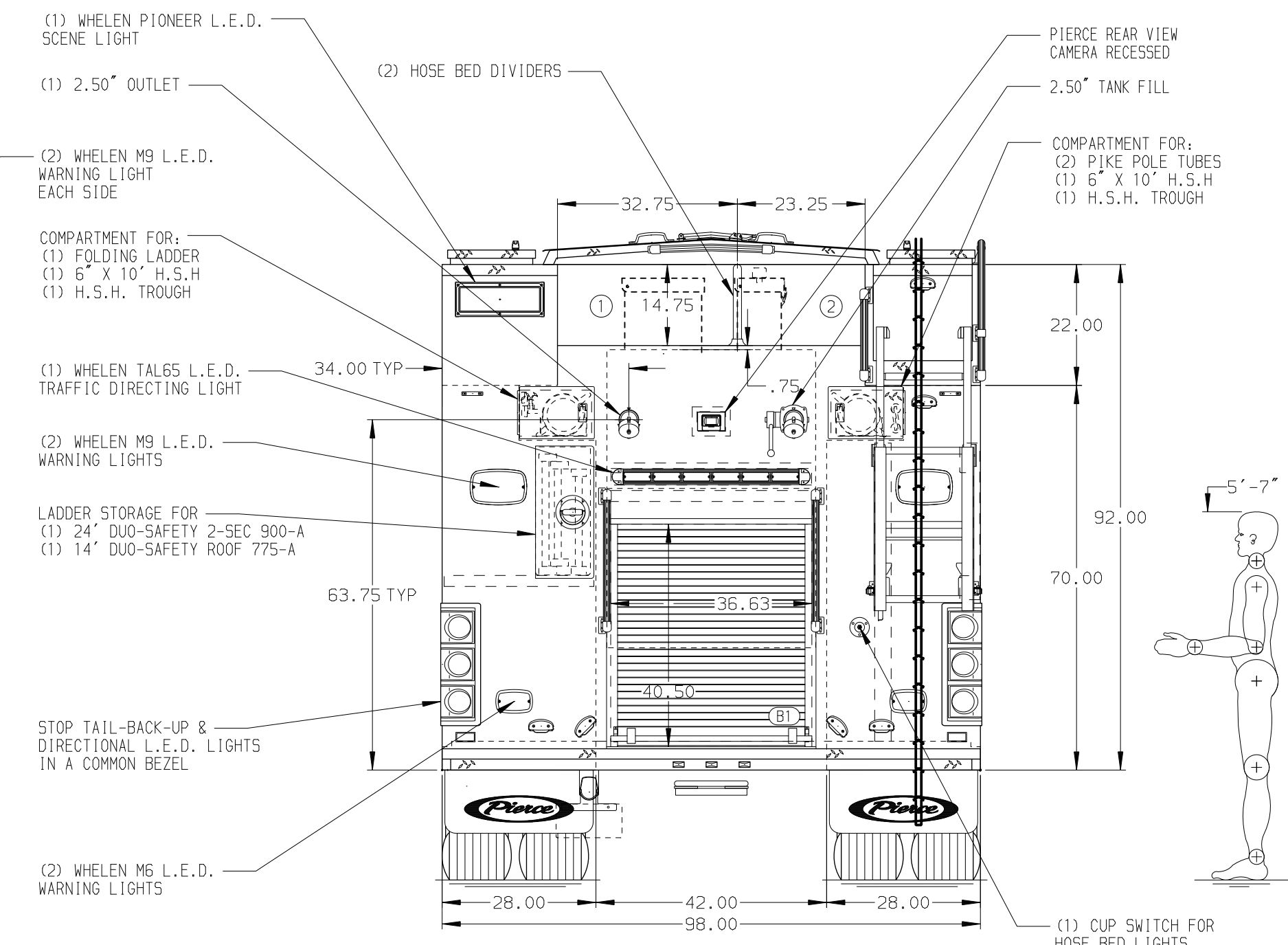
DIMENSIONS SHOWN ARE APPROXIMATE AND ARE SUBJECT TO MINOR DEVIATIONS AS MAY OCCUR OR BE NECESSARY IN CONSTRUCTION. MINOR DETAILS NOT SHOWN.

- ONE 1.50" OUTLET WITH 2.00" PIPING AND SHIVEL LOCATED IN CENTER BUMPER TRAY
- SHORELINE RECEPTACLE WITH KISSMALL SUPER AUTO-EJECT LOCATED ON DRIVER SIDE REAR OF CREW CAB DOOR
- AIR INLET WITH DISCONNECT COUPLING IN THE DRIVER SIDE REAR STEPMELL
- BATTERY CHARGER LOCATED IN COMPARTMENT PER SHOP ORDER
- BATTERY CHARGE INDICATOR LOCATED DRIVER SIDE REAR OF CREW CAB DOOR
- FIVE ADJUSTABLE SHELVES IN COMPARTMENTS PER SHOP ORDER
- ONE FLOOR MOUNTED SLIDE-OUT TRAY WITH 2.00" SIDES IN COMPARTMENT PER SHOP ORDER
- ONE FLOOR MOUNTED SLIDE-OUT TRAY IN COMPARTMENT PER SHOP ORDER
- ONE SWING-OUT TOOLBOARD LOCATED IN COMPARTMENT PER SHOP ORDER
- ONE CTECH THREE DRAWER ASSEMBLY LOCATED IN COMPARTMENT PER SHOP ORDER

- ONE ZICO SCBA BRACKET SHIPPED LOOSE
- TWO TOOLBOARDS MOUNTED ON BACK WALL FULL HEIGHT LOCATED IN COMPARTMENT PERS SHOP ORDER
- ONE TOOLBOARD MOUNTED ON BACK WALL STANDARD DEPTH UPPER LOCATED IN COMPARTMENT PER SHOP ORDER



HOSEBED CAPACITY	
BED 1	800' OF 5.00" D.J. POLY HOSE
BED 2	800' OF 3.00" D.J. POLY HOSE



CUSTOMER APPROVAL

APPROVED BY: _____
DATE: _____



JOB NO. 37450

SCALE 1:24 DATE

CHASSIS DATA	TITLE	Pierce PUC Pumper Approval Drawing
MAKE	FOR	St Robert Fire Rescue
PIERCE		
MODEL	DWG NO.	37450AD
IMPEL FR		

DRAWN BY	MMF	10FEB22
CHECKED BY	COL	10FEB22
SHEET SIZE	D	SHEET NO. 1 OF 1