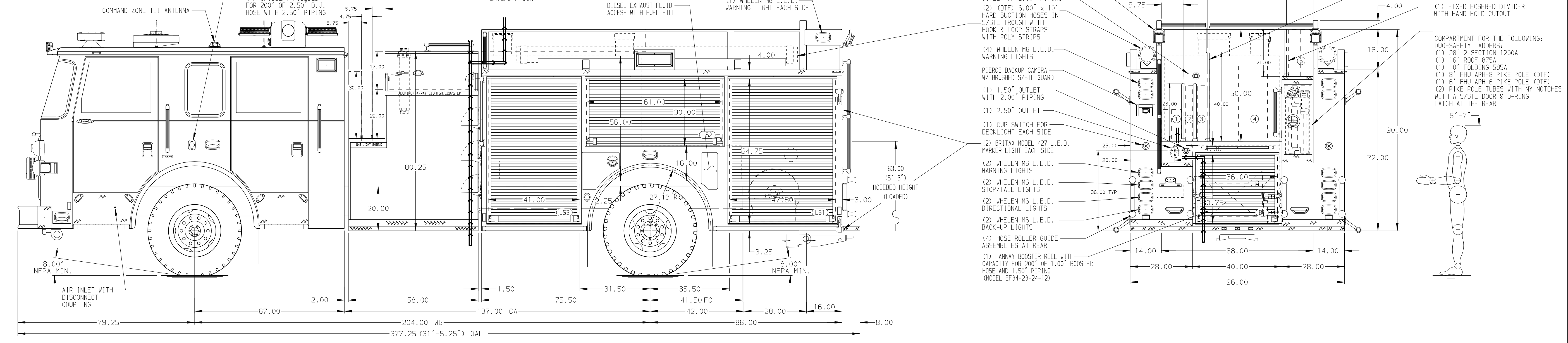


- HOSEBED CAPACITIES**
- ① 200' OF 2.50" D.J. HOSE
 - ② 200' OF 1.75" D.J. HOSE
 - ③ 200' OF 1.75" D.J. HOSE
 - ④ 1200' OF 4.00" L.D. HOSE
 - ⑤ 300' OF 3.00" D.J. HOSE



STAINLESS STEEL BODY (MAXIMUM O.A.H. 116.50") (MAXIMUM O.A.L. 378") (SIDE ROLL AND FRONTAL IMPACT PROTECTION)

NOTE
 DIMENSIONS SHOWN ARE APPROXIMATE AND ARE SUBJECT TO MINOR DEVIATIONS AS MAY OCCUR OR BE NECESSARY IN CONSTRUCTION. MINOR DETAILS NOT SHOWN.

- 1. ONSPOT AUTOMATIC TIRE CHAINS TO BE PROVIDED AT REAR
- 2. PAC TRAC INSTALLED ON REAR CAB WALL PER ORDER
- 4. BATTERY CHARGER LOCATED IN CREW CAB SEAT RISER
- 5. BATTERY CHARGE INDICATOR LOCATED NEAR DRIVER'S SEAT RISER WITH BRACKET
- 6. L.E.D. LIGHT STRIP LOCATED IN HOSE BED PER SHOP ORDER
- 7. THREE EXTRA HANDRAILS SHIPPED LOOSE PER ORDER

| REV | DATE | BY | CH | ARROW | XT |
|---------|------|-----|--------------|-------|----|
| 31JUL23 | BTH | ZWE | CHASSIS DATA | | |
| 08MAR23 | BTH | ZWE | MAKE | | |
| 06DEC22 | BTH | ZWE | PIERCE | | |
| 19OCT22 | BTH | ZWE | MODEL | | |
| 05OCT22 | BTH | ZWE | | | |

Pierce MANUFACTURING INC.

JOB NO. 37455
 SCALE 1:24
 DATE
 DRAWN BY BTH
 07JUN22
 CHECKED BY PHA
 13JUN22
 SHEET SIZE D
 SHEET NO. 1 OF 2

TITLE 1500-D-750P, 720G WATER, 30G FOAM, 161" FDLR BODY (3) XLAYS, LADDERS BESIDE TANK, DELUGE, GENERATOR
 FOR FALMOUTH FIRE DEPARTMENT FALMOUTH, MASSACHUSETTS
 DWG NO. 37455AD-SH1