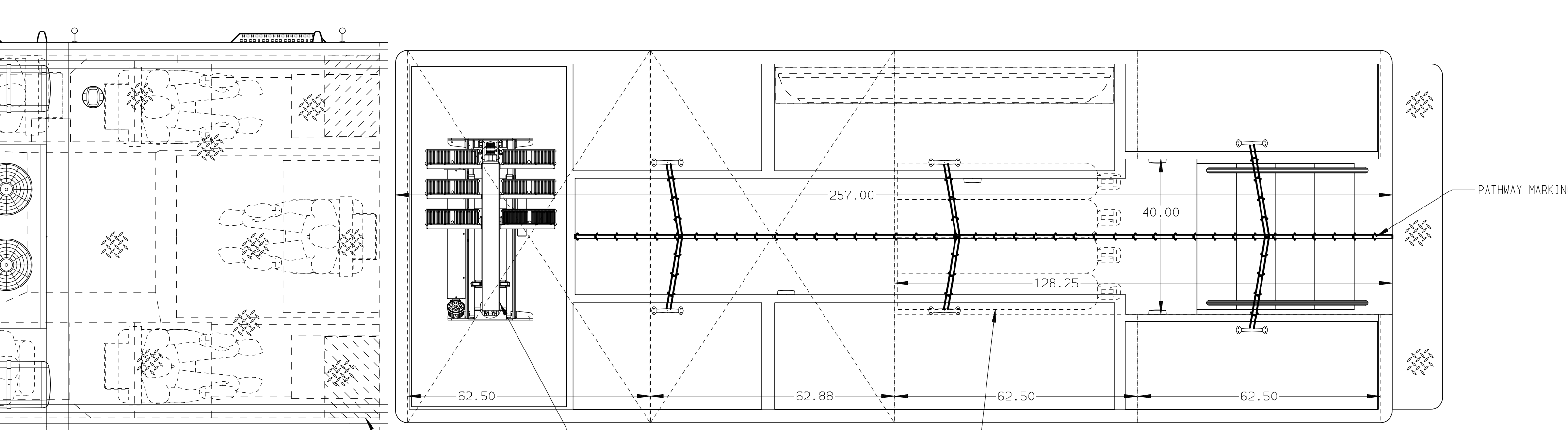
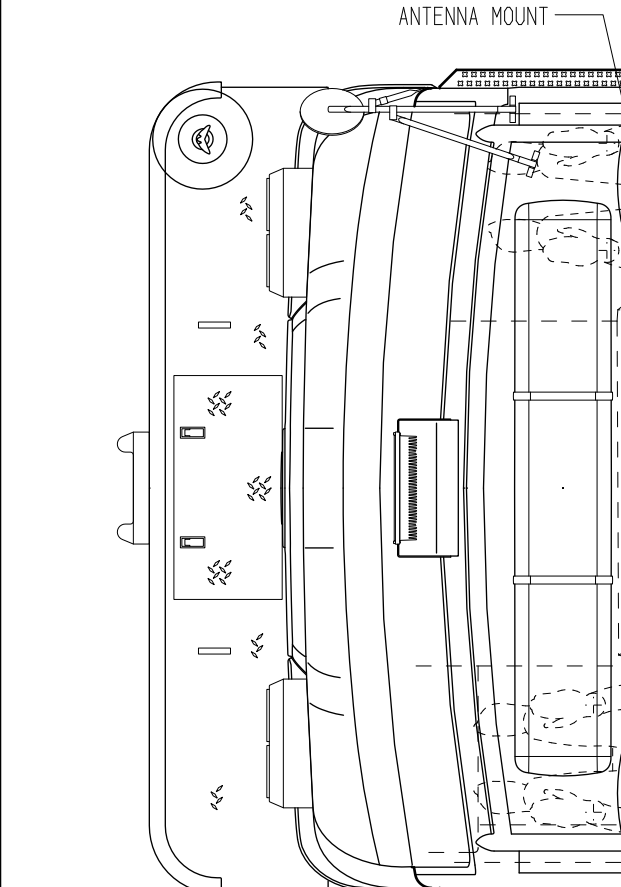
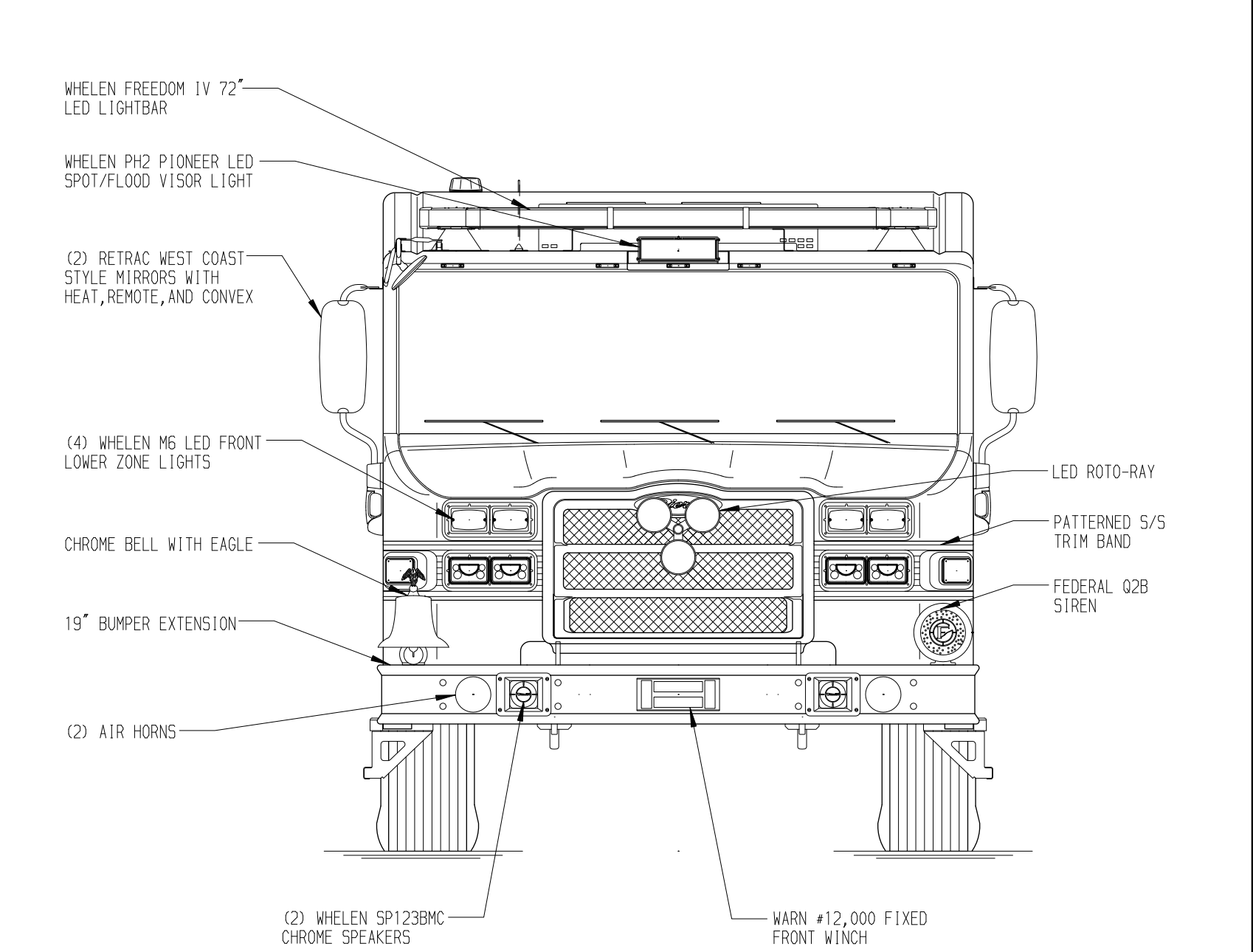
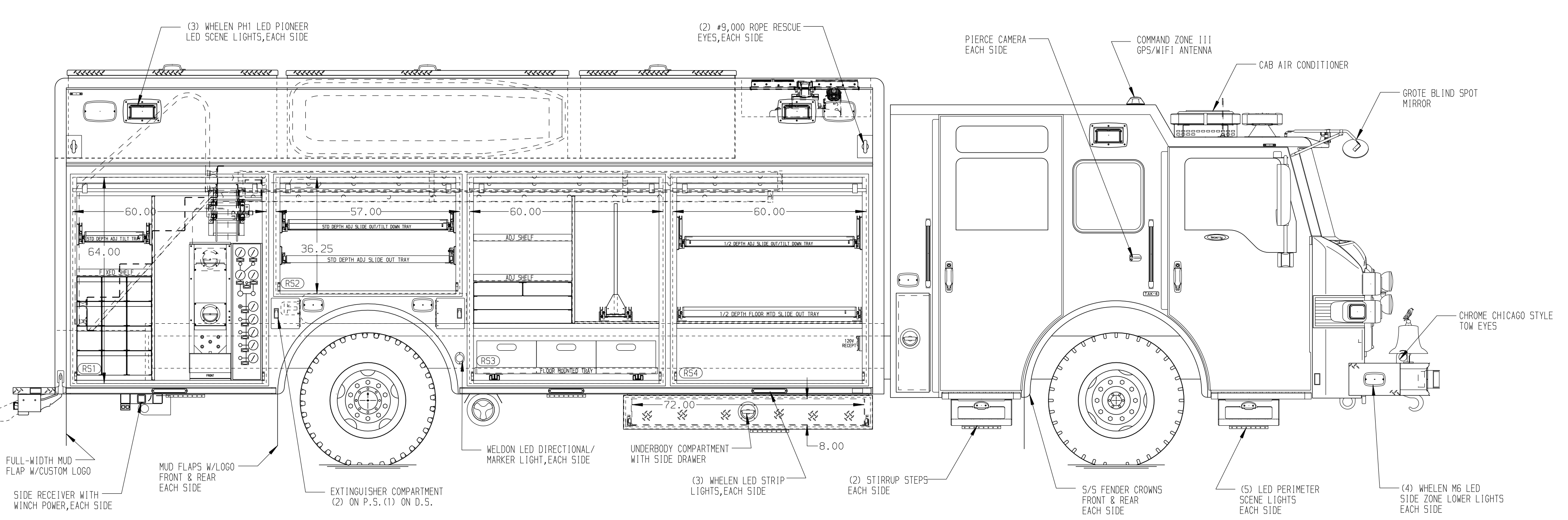
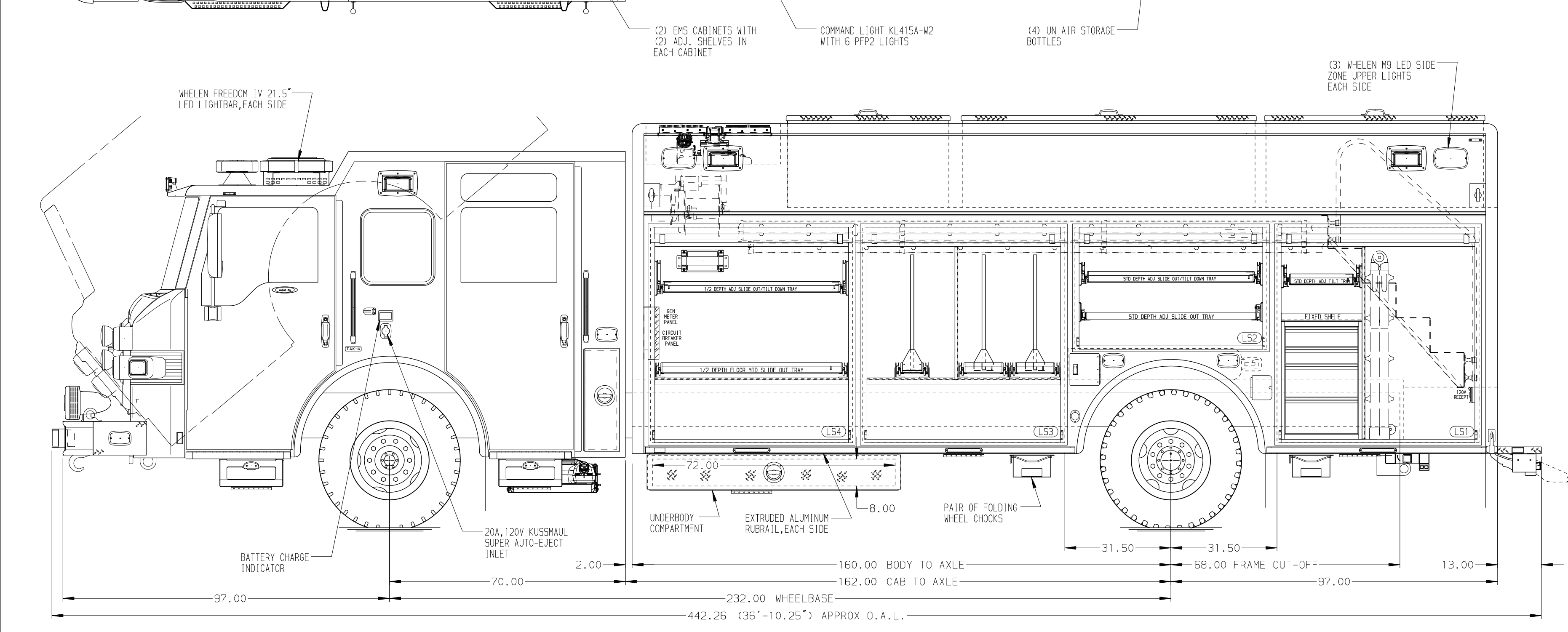


- RIGHT SIDE COMPARTMENTS CONTAIN THE FOLLOWING:**
- COMPARTMENT R51 CONTAINS:**
- (1) VERTICAL COMPARTMENT DIVIDER
  - (1) RACK FOR 12 SCBA BOTTLES
  - (1) STD DEPTH FIXED SHELF
  - (1) STD DEPTH ADJ SLIDE OUT/TILT TRAY
  - (1) CASCADE SYSTEM CONTROL PANEL
  - (1) "SPACE SAVER" 2-BOTTLE FILL ENCLOSURE
  - (1) LOW PRESSURE AIR REEL W/150' OF HOSE
- COMPARTMENT R52 CONTAINS:**
- (1) STD DEPTH ADJ SLIDE OUT TRAY
  - (1) STD DEPTH ADJ SLIDE OUT/TILT TRAY
- COMPARTMENT R53 CONTAINS:**
- (1) HORIZONTAL FLOOR EXTENSION
  - (1) RACK FOR 4 AIR BAGS
  - (1) TRANSVERSE VERTICAL DIVIDER
  - (2) 1/2 DEPTH ADJ SHELVES
  - (1) STD DEPTH FLOOR MOUNTED TRAY
  - (1) 2-WAY ADJ SLIDE OUT TOOLBOARD
  - (3) POLY TOOL BOXES
- COMPARTMENT R54 CONTAINS:**
- (1) HORIZONTAL FLOOR EXTENSION
  - (1) 1/2 DEPTH ADJ SLIDE OUT/TILT TRAY
  - (1) 1/2 DEPTH FLOOR MTD SLIDE OUT TRAY
  - (1) 15/20A, 120V DUPLEX RECEPTACLE

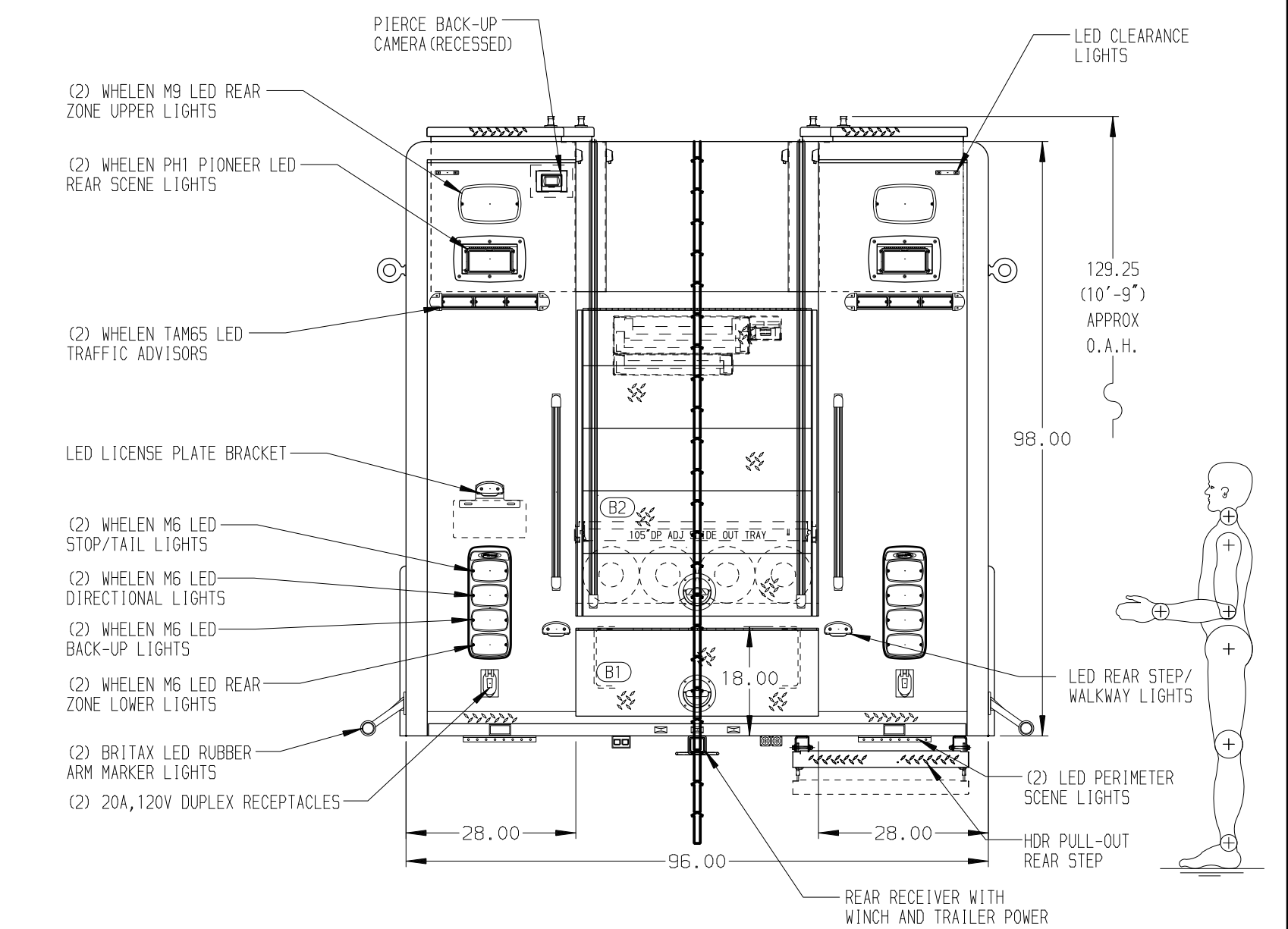


- LEFT SIDE COMPARTMENTS CONTAIN THE FOLLOWING:**
- COMPARTMENT LS1 CONTAINS:**
- (1) VERTICAL COMPARTMENT DIVIDER
  - (1) 4-DRAWER C-TECH CABINET
  - (1) STD DEPTH FIXED SHELF
  - (1) STD DEPTH ADJ SLIDE OUT/TILT TRAY
  - VELCRO STRAP FOR LITTLE GIANT LADDER
  - (1) 15/20A, 120V DUPLEX RECEPTACLE
- COMPARTMENT LS2 CONTAINS:**
- (1) STD DEPTH ADJ SLIDE OUT TRAY
  - (1) STD DEPTH ADJ SLIDE OUT/TILT TRAY
- COMPARTMENT LS3 CONTAINS:**
- (1) HORIZONTAL FLOOR EXTENSION
  - (1) TRANSVERSE VERTICAL DIVIDER
  - (2) 1/2 DEPTH FLOOR MTD SLIDE OUT TRAYS WITH TOOLBOARDS
  - (1) 2-WAY ADJ SLIDE OUT TOOLBOARD
- COMPARTMENT LS4 CONTAINS:**
- (1) HORIZONTAL FLOOR EXTENSION
  - (1) 1/2 DEPTH ADJ SLIDE OUT/TILT TRAY
  - (1) 1/2 DEPTH FLOOR MTD SLIDE OUT TRAY
  - (1) CIRCUIT BREAKER PANEL
  - (1) GENERATOR METER PANEL
  - (1) COMMAND LIGHT CONTROLLER
  - (1) ELECTRIC CORD REEL WITH 200' OF 10/4 YELLOW CORD

- REAR COMPARTMENT CONTAINS THE FOLLOWING:**
- COMPARTMENT B1 CONTAINS:**
- - 
  -
- COMPARTMENT B2 CONTAINS:**
- (1) RACK FOR THE FOLLOWING:
  - (1) 24' 2-SECTION LADDER
  - (1) 14' ROOF LADDER
  - (1) 10' FOLDING LADDER
  - (1) 105" DP ADJ SLIDE OUT TRAY



- LEFT SIDE COMPARTMENTS CONTAIN THE FOLLOWING:**
- COMPARTMENT LS1 CONTAINS:**
- (1) VERTICAL COMPARTMENT DIVIDER
  - (1) 4-DRAWER C-TECH CABINET
  - (1) STD DEPTH FIXED SHELF
  - (1) STD DEPTH ADJ SLIDE OUT/TILT TRAY
  - VELCRO STRAP FOR LITTLE GIANT LADDER
  - (1) 15/20A, 120V DUPLEX RECEPTACLE
- COMPARTMENT LS2 CONTAINS:**
- (1) STD DEPTH ADJ SLIDE OUT TRAY
  - (1) STD DEPTH ADJ SLIDE OUT/TILT TRAY
- COMPARTMENT LS3 CONTAINS:**
- (1) HORIZONTAL FLOOR EXTENSION
  - (1) TRANSVERSE VERTICAL DIVIDER
  - (2) 1/2 DEPTH FLOOR MTD SLIDE OUT TRAYS WITH TOOLBOARDS
  - (1) 2-WAY ADJ SLIDE OUT TOOLBOARD
- COMPARTMENT LS4 CONTAINS:**
- (1) HORIZONTAL FLOOR EXTENSION
  - (1) 1/2 DEPTH ADJ SLIDE OUT/TILT TRAY
  - (1) 1/2 DEPTH FLOOR MTD SLIDE OUT TRAY
  - (1) CIRCUIT BREAKER PANEL
  - (1) GENERATOR METER PANEL
  - (1) COMMAND LIGHT CONTROLLER
  - (1) ELECTRIC CORD REEL WITH 200' OF 10/4 YELLOW CORD



**NOTE**  
DIMENSIONS SHOWN ARE APPROXIMATE AND ARE SUBJECT TO MINOR DEVIATIONS AS MAY OCCUR OR BE NECESSARY IN CONSTRUCTION. MINOR DETAILS NOT SHOWN.

- NOTES:**
- AIR INLET WITH DISCONNECT COUPLING LOCATED IN DRIVER'S STEP WELL OF CAB
  - POLISHED 5/S SCUFFPLATES ON CAB AND CREW CAB DOOR JAMBS
  - ALUMINUM TREADPLATE ON CREW CAB ROOF
  - FLOOR IN CAB AND CREW CAB TO BE ALUMINUM TREADPLATE
  - KUSSMAUL PUMP PLUS 1200 CHARGER LOCATED BEHIND DRIVER'S SEAT
  - 5/S GUARDS ON ALL BODY ROLL-UP DOORS
  - PIERCE LED LIGHTS IN ALL BODY AND HATCH COMPARTMENTS
  - ONAN 25kW SINGLE PHASE PTO DRIVEN GENERATOR WITH SPLASH GUARD LOCATED BETWEEN THE FRAME RAILS

**SIDE ROLL AND FRONTAL IMPACT PROTECTION**

CLEAR DOOR WIDTH KEY		
AMOR ROLL UP DOORS:	-2 1/4"	
GORTITE ROLL UP DOORS:	-2 1/2"	
PIERCE DOUBLE LAP DOORS:	-4 1/4"	
PIERCE LIFT-UP LAP DOORS:	-1 1/2"	
(EX: 60" F-F - 2 1/4" = 57 3/4" CLEAR)		
(F-F) = FRAME TO FRAME		

**CUSTOMER APPROVAL**

APPROVED BY: \_\_\_\_\_

DATE: \_\_\_\_\_

<b>Pierce MANUFACTURING INC.</b>		JOB NO.	37459
		SCALE	DATE
		1:24	
TITLE		HEAVY DUTY RESCUE NON-WALKIN	DRAWN BY DHE 12MAY22
FOR		LANCASTER FIRE DEPARTMENT BLD #609	CHECKED BY AZU 13MAY22
PIERCE		JARED PHILLIPS	SHEET SIZE D
MODEL VXF7R2010		DWG NO.	37459AD
			SHEET NO. 1 OF 1