

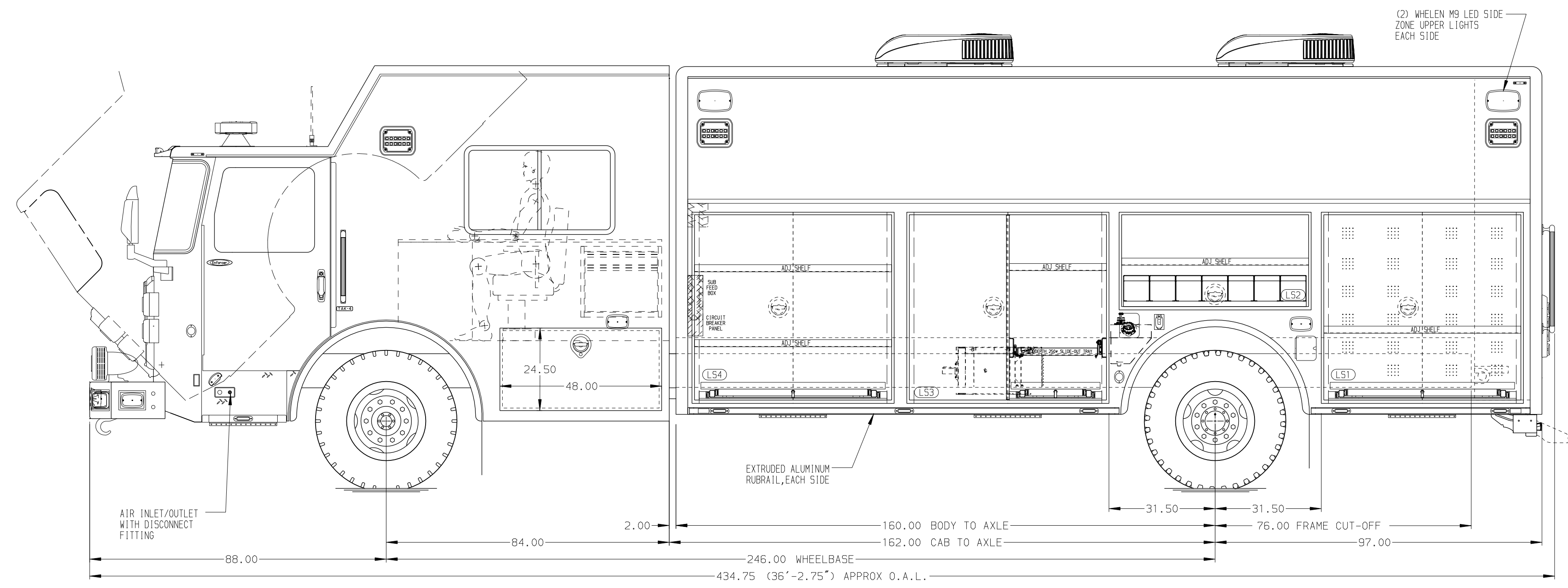
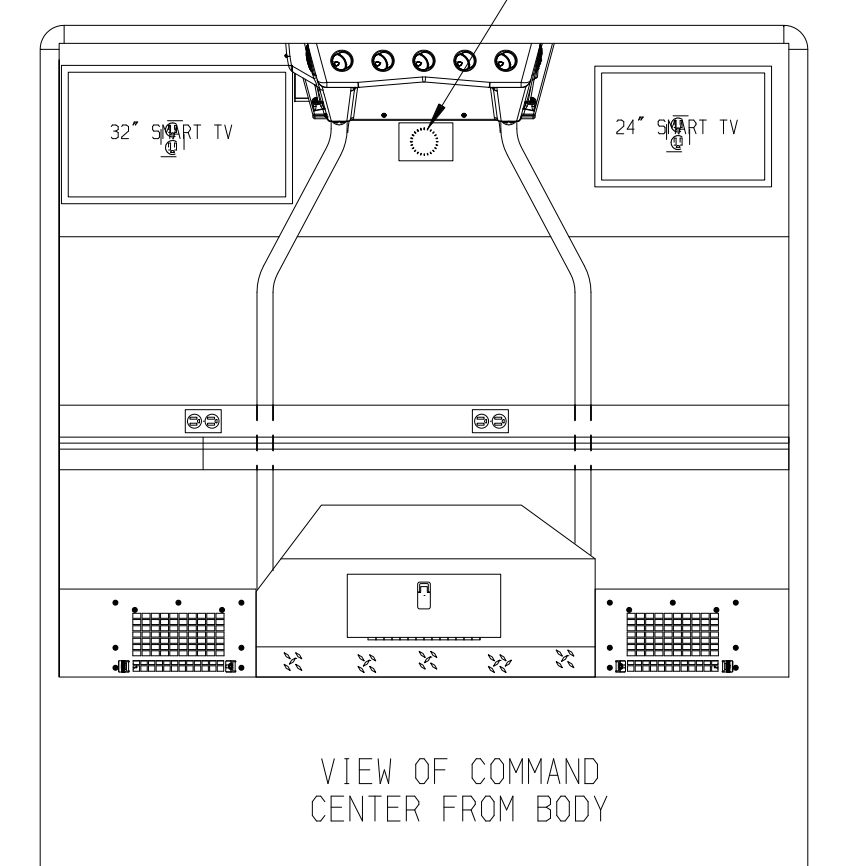
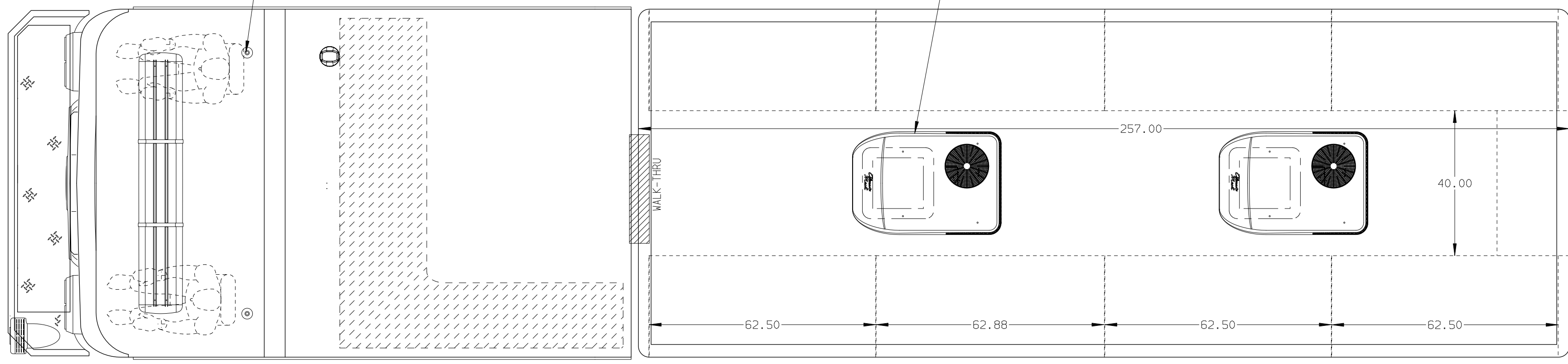
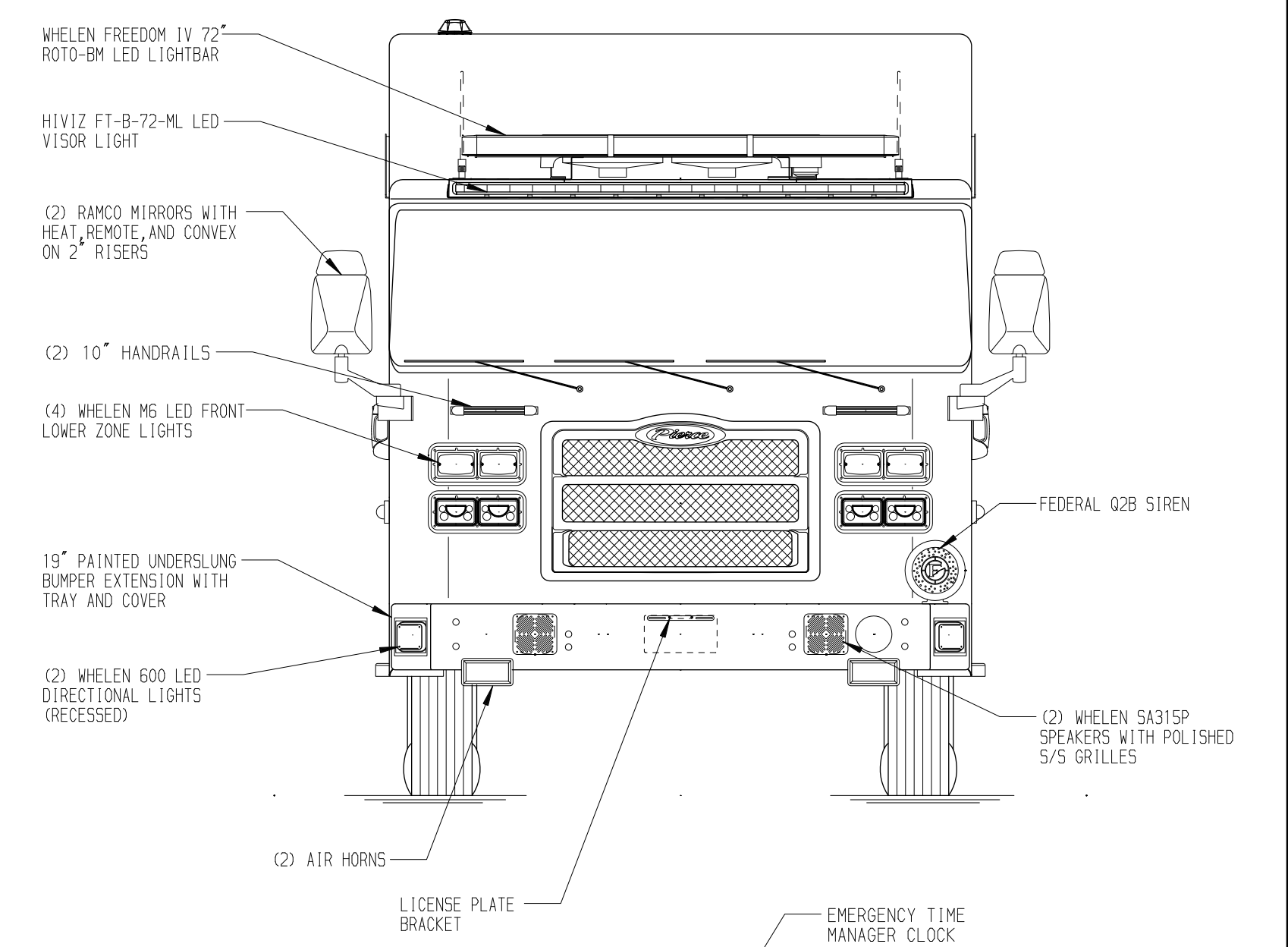
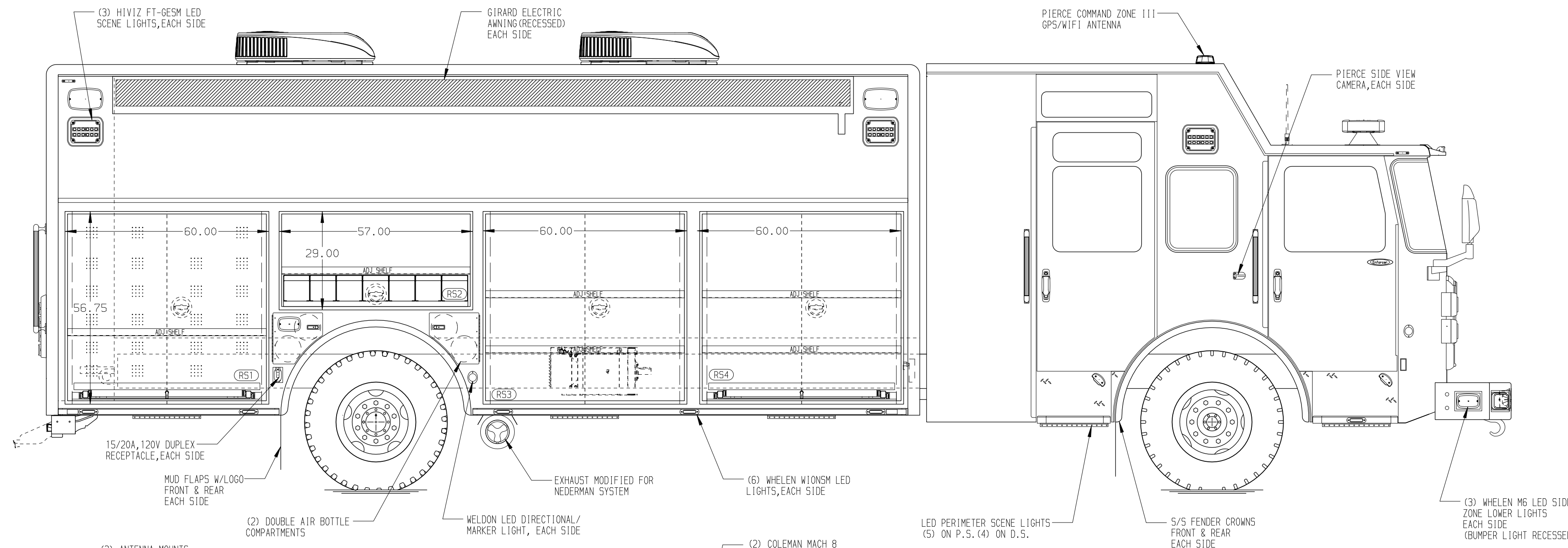
RIGHT SIDE COMPARTMENTS CONTAIN THE FOLLOWING:

COMPARTMENT RS1 CONTAINS:
 - (1) STD DEPTH ADJ SHELF
 - (1) STD DEPTH FLOOR MTD SLIDEMASTER TRAY
 - PEGBOARD ON REAR WALL OF COMPARTMENT

COMPARTMENT RS2 CONTAINS:
 - (1) STD DEPTH ADJ SHELF
 - (1) RACK FOR 7 SCBA BOTTLES

COMPARTMENT RS3 CONTAINS:
 - (2) STD DEPTH ADJ SHELVES

COMPARTMENT RS4 CONTAINS:
 - (1) CAB LEFT CONTROLLER
 - (2) STD DEPTH ADJ SHELVES
 - (1) STD DEPTH FLOOR MTD SLIDEMASTER TRAY



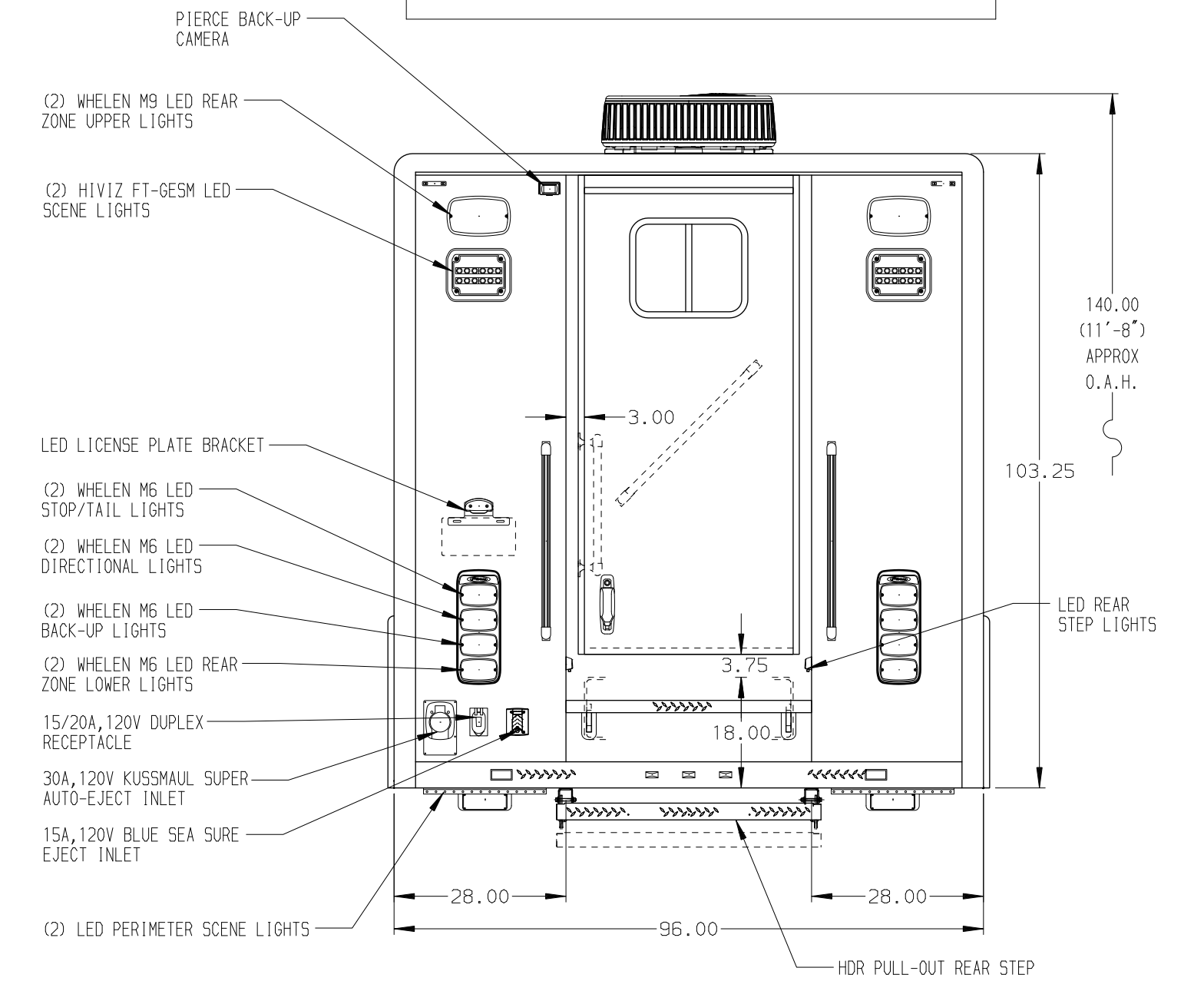
LEFT SIDE COMPARTMENTS CONTAIN THE FOLLOWING:

COMPARTMENT LS1 CONTAINS:
 - (1) STD DEPTH ADJ SHELF
 - (1) STD DEPTH FLOOR MTD SLIDEMASTER TRAY
 - PEGBOARD ON REAR WALL OF COMPARTMENT

COMPARTMENT LS2 CONTAINS:
 - (1) STD DEPTH ADJ SHELF
 - (1) RACK FOR 7 SCBA BOTTLES

COMPARTMENT LS3 CONTAINS:
 - (1) STD DEPTH ADJ SHELF
 - (1) VERTICAL COMPARTMENT DIVIDER
 - (1) STD DEPTH ADJ SLIDE OUT TRAY
 - (1) STD DEPTH FLOOR MTD SLIDEMASTER TRAY

COMPARTMENT LS4 CONTAINS:
 - (1) SUB FEED BOX
 - (1) CIRCUIT BREAKER PANEL
 - (1) STD DEPTH FLOOR MTD SLIDEMASTER TRAY
 - (2) STD DEPTH ADJ SHELVES



NOTE:
 DIMENSIONS SHOWN ARE APPROXIMATE AND ARE SUBJECT TO MINOR DEVIATIONS AS MAY OCCUR OR BE NECESSARY IN CONSTRUCTION. MINOR DETAILS NOT SHOWN.

- NOTE:**
1. ONAN 25kW SINGLE PHASE PTO DRIVEN GENERATOR LOCATED BETWEEN THE FRAME RAILS
 2. ONSPOT AUTOMATIC TIRE CHAINS
 3. KUSSMAUL BRAKE SYSTEM COMPRESSOR LOCATED BEHIND THE DRIVER'S SEAT
 4. FLOOR IN CAB AND CREW CAB TO BE LONGWIN 11
 5. BLUE SEA P12 CHARGER LOCATED BEHIND THE DRIVER'S SEAT
 6. BATTERY CHARGE INDICATOR LOCATED ON DRIVER'S SEAT WITH BRACKET
 7. 8" HIGH SCUFFPLATE ON ALL VERTICALLY HINGED DOORS
 8. PIERCE LED LIGHTS IN ALL BODY COMPARTMENTS

NOTE:
 LAP DOORS HAVE BEEN SHOWN IN HIDDEN LINES TO CLEARLY IDENTIFY THE EQUIPMENT IN EACH COMPARTMENT. DASHED LINES ON SIDES ARE DOORS IN OPEN POSITION

SIDE ROLL AND FRONTAL IMPACT PROTECTION

CLEAR DOOR WIDTH KEY

AMOR ROLL UP DOORS:	-2 1/4"
CORTITE ROLL UP DOORS:	-2 1/2"
PIERCE DOUBLE LAP DOORS:	-4 1/4"
PIERCE LIFT-UP LAP DOORS:	-1 1/2"

(EX: 60" F-F - 2 1/4" = 57 3/4" CLEAR)
 (F-F) = FRAME TO FRAME

CUSTOMER APPROVAL

APPROVED BY: _____
 DATE: _____

REV	DATE	BY	CH
-	-	-	-

Pierce MANUFACTURING INC.		JOB NO.	37472
TITLE: HEAVY DUTY RESCUE WALKIN		SCALE	1:24
FOR: RICHARDSON FIRE DEPARTMENT BID #955		DATE	
DRAWN BY: DHE		CHECKED BY: AZU	16JUN22
MODEL: EN8424		SHEET NO.	1 OF 1
DWG NO. 37472AD-SH1		BRANDON COTTEN	