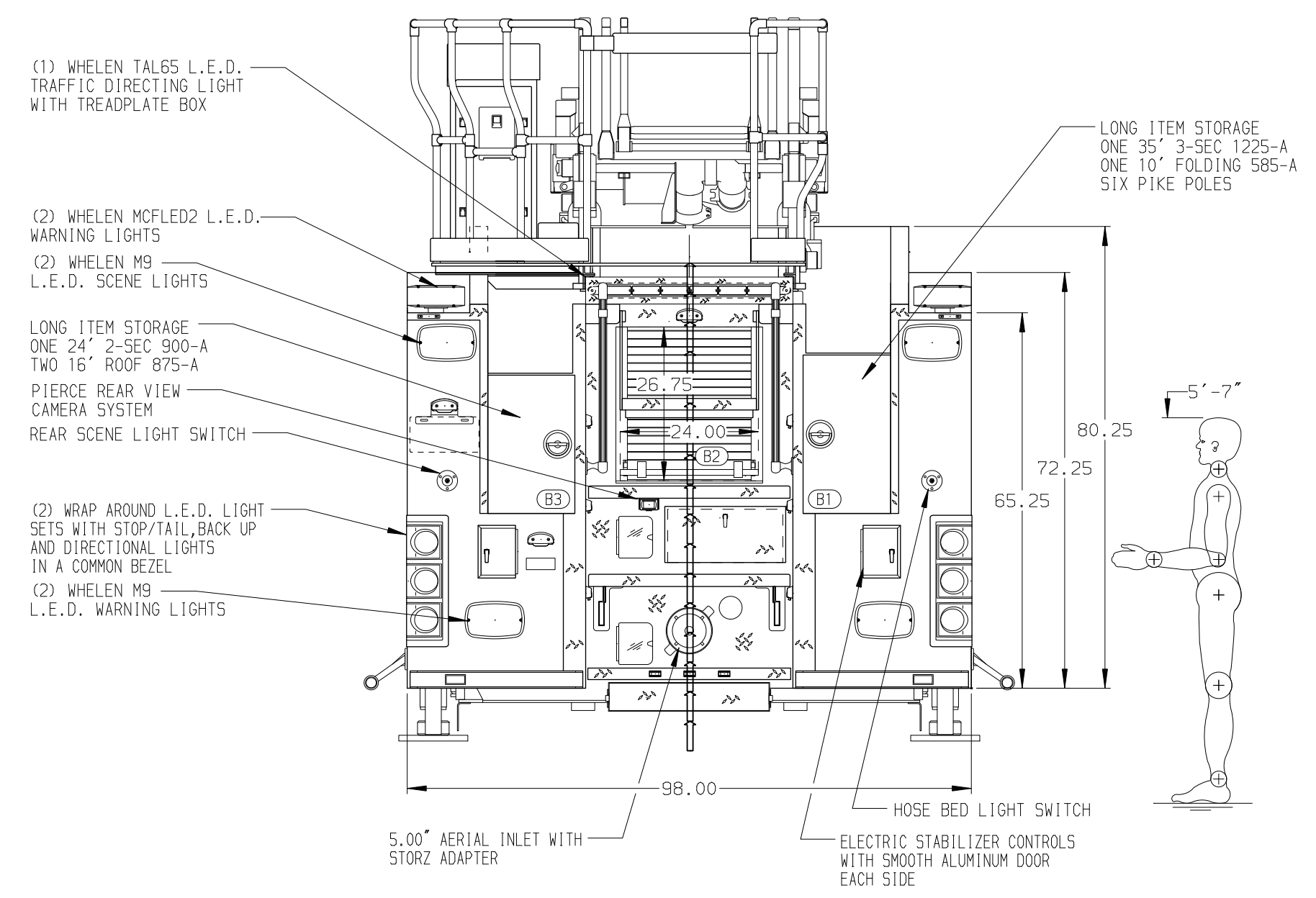
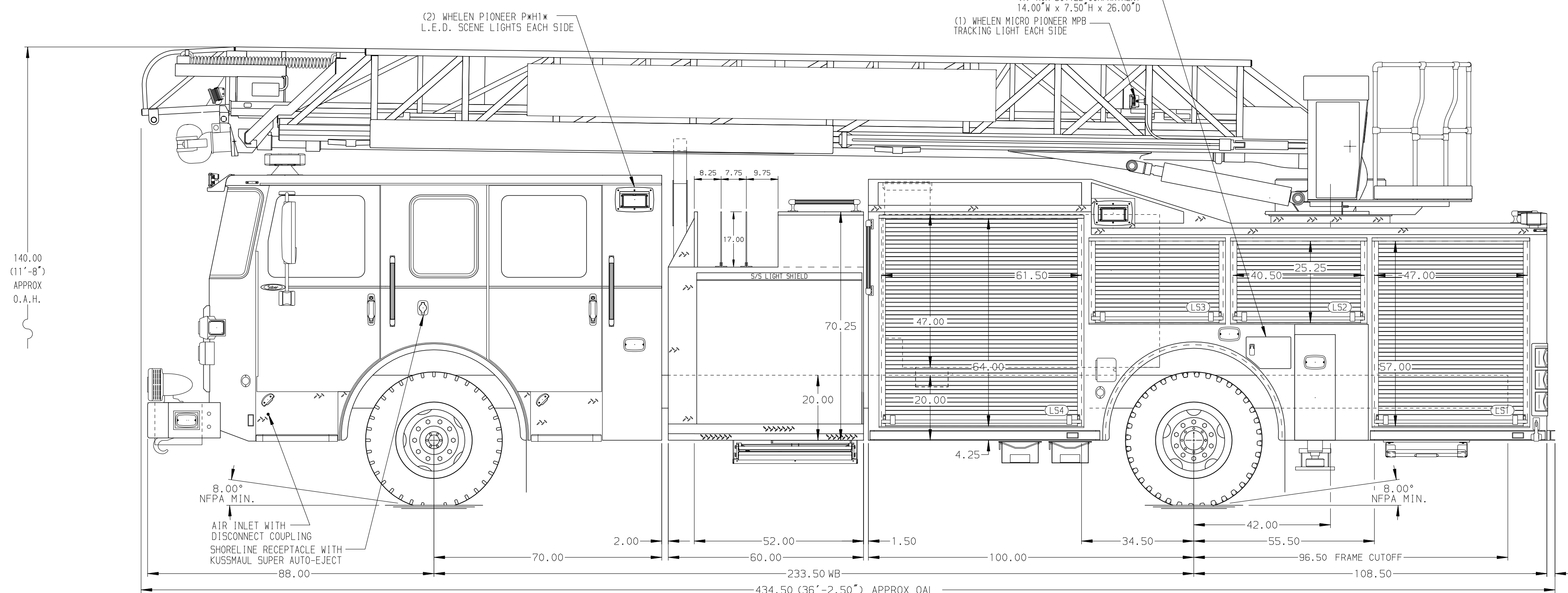


BODY	WATER TANK
75' HAL Aluminum Body	500 Gallon Poly Water Tank
COMPT, LEFT SIDE FRONT	Foam System
Full Height RollUp Forward	Plumbing for Future Husky Foam System
COMPT, LEFT SIDE REAR	Foam Cell
Full Height RollUp Rearward	20 Gallon Foam Cell, Non-Reduced Water
COMPT, RIGHT SIDE FRONT	
Full Height RollUp Forward	
COMPT, RIGHT SIDE REAR	
Full Height RollUp Rearward	



CHASSIS Sober FR Chassis ENGINE 450 HP Cummins L9 Engine	CAB 7000 Sober FR Cab BUMPER 19" Extended Painted Steel	AXLE, FRONT, CUSTOM 20,000 Lb Dana Axle AXLE, REAR 33,500 Lb Meritor Axle	TRANSMISSION Allison 5th Gen, 3000 EVS P	PUMPHOUSE 52" Control Zone Side Mount PUMP 2000 GPM Waterous CSU	CROSSLAYS, 1.50" (2) 1.50" Standard Capacity CROSSLAYS, 2.50" (1) 2.50" Standard Capacity	SPEEDLAYS Speedlays Not Required GENERATOR Generator Not Required	CUSTOMER APPROVAL APPROVED BY: _____ DATE: _____	MANUFACTURING INC.	JOB NO. 37476	
NOTE DIMENSIONS SHOWN ARE APPROXIMATE AND ARE SUBJECT TO MINOR DEVIATIONS AS MAY OCCUR OR BE NECESSARY IN CONSTRUCTION. MINOR DETAILS NOT SHOWN.	1. BATTERY CHARGER LOCATED IN COMPARTMENT PER ORDER 2. BATTERY CHARGER INDICATOR LOCATED ON DRIVER'S SEAT RISER 3. TWO WHELEN 70C0ELZR L.E.D. LIGHTS LOCATED AT THE FRONT OF THE HOSE BED 4. TEN ADJUSTABLE FULL WIDTH/FULL DEPTH SHELVES IN COMPARTMENT PER ORDER 5. FOUR FLOOR MOUNTED SLIDE-OUT TRAYS IN COMPARTMENT PER ORDER 6. TRIDENT FOLDING STEPS ON AERIAL DEVICE 7. L.E.D. LIGHTING ON AERIAL LADDER SECTIONS 8. 2-WAY INTERCOM SYSTEM BETWEEN AERIAL TIP OR PLATFORM AND TURNABLE 9. AERIAL PEDESTAL RAISED 1.50" 10. LIFTING EYE RESCUE ATTACHMENT AT AERIAL TIP	11. COLLISION AVOIDANCE CONTROL SYSTEM 12. 1500 GPM HIGH FLOW WATERWAY					CHASSIS DATA		TITLE 75 AERIAL LADDER & BODY ASSEMBLY (HAL)	DRAWN BY JGA 10JAN22
								MAKE PIERCE	FOR SIDMONS-MARTIN SALES	CHECKED BY NDA 11JAN22
								MODEL	DWG NO. 37476AD	SHEET SIZE D SHEET NO. 1 OF 1