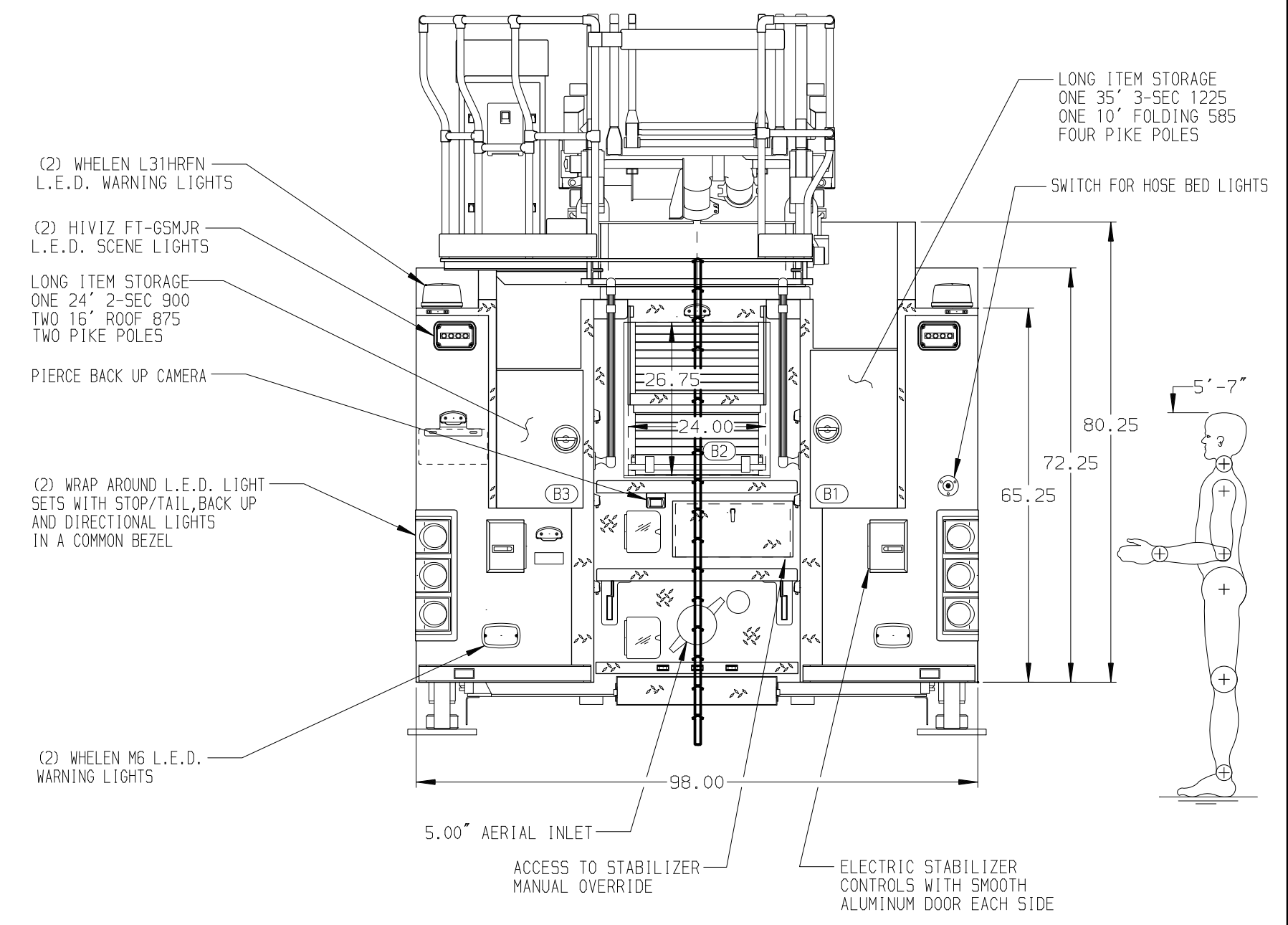
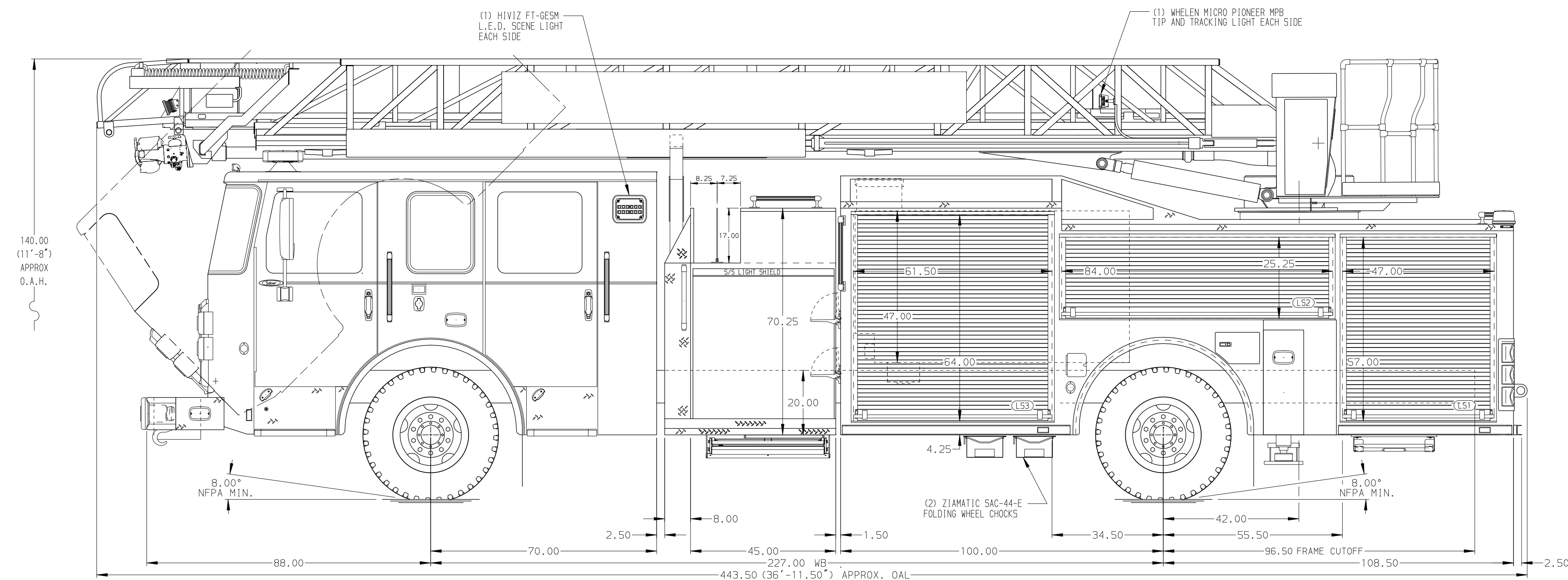


<p>BODY</p> <p>75' HAL Aluminum Body</p> <p>COMPT, LEFT SIDE FRONT Full Height RollUp Forward</p> <p>COMPT, LEFT SIDE REAR Full Height RollUp Rearward</p> <p>COMPT, RIGHT SIDE FRONT Full Height RollUp Forward</p> <p>COMPT, RIGHT SIDE REAR Full Height RollUp Rearward</p>	<p>WATER TANK</p> <p>500 Gallon Poly Water Tank</p> <p>Foam System</p> <p>Plumbing for Future Husky Foam System</p> <p>Foam Cell</p> <p>20 Gallon Foam Cell, Non-Reduced Water</p>
-------------------------------------------------------------------------------------------------------------------------------------------------------------------------------------------------------------------------------------------------------------------------------------------------------	-------------------------------------------------------------------------------------------------------------------------------------------------------------------------------------------



<p>CHASSIS</p> <p>Saber FR Chassis</p> <p>ENGINE</p> <p>450 HP Cummins L9 Engine</p>	<p>CAB</p> <p>7000 Saber Cab</p> <p>BUMPER</p> <p>19" Extended Stainless Steel</p>	<p>AXLE, FRONT, CUSTOM</p> <p>20,000 Lb Dana Axle</p> <p>AXLE, REAR</p> <p>33,500 Lb Meritor Axle</p>	<p>TRANSMISSION</p> <p>Allison 5th Gen, 3000 EVS P</p>	<p>PUMPHOUSE</p> <p>45" Control Zone Side Mount</p> <p>PUMP</p> <p>1500 GPM Waterous CSU</p>	<p>CROSSLAYS, 1.50"</p> <p>(2) 1.50" Standard Capacity</p> <p>CROSSLAYS, 2.50"</p> <p>2.50" Crosslay Not Required</p>	<p>SPEEDLAYS</p> <p>Speedlays Not Required</p> <p>GENERATOR</p> <p>Generator Not Required</p>	<p>CUSTOMER APPROVAL</p> <p>APPROVED BY: _____</p> <p>DATE: _____</p>	<p>Pierce MANUFACTURING INC.</p>	<p>JOB NO. 37482</p> <p>SCALE 1:24</p> <p>DATE</p>
<p>NOTE</p> <p>DIMENSIONS SHOWN ARE APPROXIMATE AND ARE SUBJECT TO MINOR DEVIATIONS AS MAY OCCUR OR BE NECESSARY IN CONSTRUCTION. MINOR DETAILS NOT SHOWN.</p>		<p>1. ONE 1.50 OUTLET WITH 2.00 PIPING AND SWIVEL LOCATED IN CENTER BUMPER TRAY</p> <p>2. SHORELINE RECEPTACLE WITH KUSSMAUL SUPER AUTO-EJECT LOCATED ON DRIVER SIDE OF THE CAB</p> <p>3. AIR INLET WITH DISCONNECT COUPLING IN THE DRIVER SIDE STEPWELL</p> <p>4. BATTERY CHARGE INDICATOR LOCATED BEHIND DRIVER SEAT</p> <p>5. BATTERY CHARGE INDICATOR LOCATED ON DRIVER SIDE OF THE CAB</p> <p>6. DUAL L.E.D. LIGHT STRIPS LOCATED IN HOSE BED</p> <p>7. FOUR ADJUSTABLE SHELVES IN COMPARTMENTS PER SHOP ORDER</p> <p>8. FOUR FLOOR MOUNTED SLIDE-OUT TRAYS LOCATED IN COMPARTMENTS PER SHOP ORDER</p> <p>9. 7.00" AERIAL LIMITED RETRACTION</p>	<p>10. 1.50" RAISED AERIAL PEDESTAL</p> <p>11. 1500 GPM HIGH FLOW WATERWAY</p> <p>12. LIFTING EYE RESCUE ATTACHMENT AT AERIAL TIP</p>	<p>CHASSIS DATA</p> <p>MAKE</p> <p>PIERCE</p> <p>MODEL</p> <p>SABER FR</p>	<p>TITLE 75 AERIAL LADDER & BODY ASSEMBLY (HAL)</p> <p>FOR PIERCE FIELD UNIT APPLETON, WI</p> <p>DWG NO. 37482AD</p>	<p>DRAWN BY LWE</p> <p>CHECKED BY THS</p> <p>SHEET SIZE D</p> <p>SHEET NO. 1 OF 1</p>			