

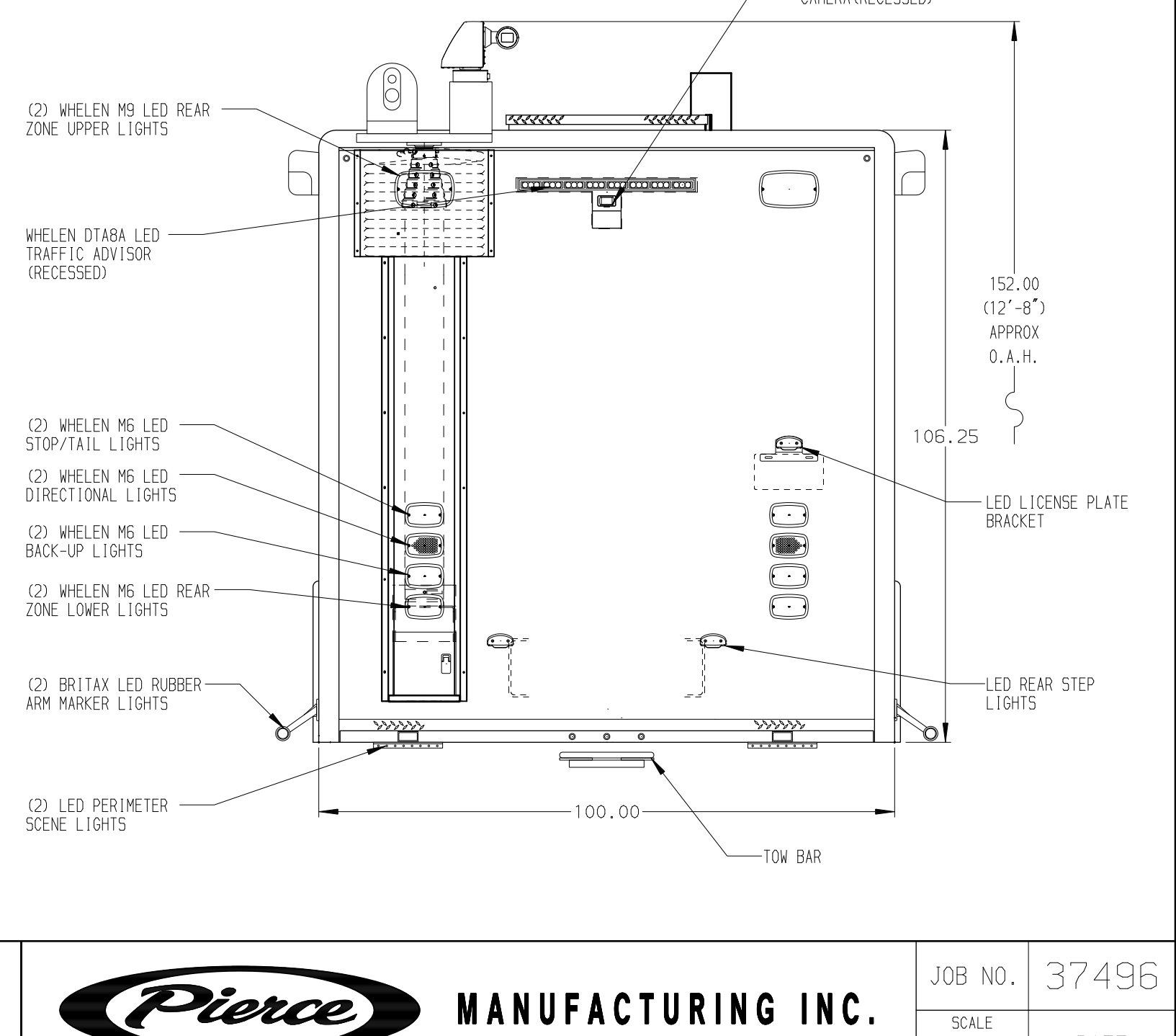
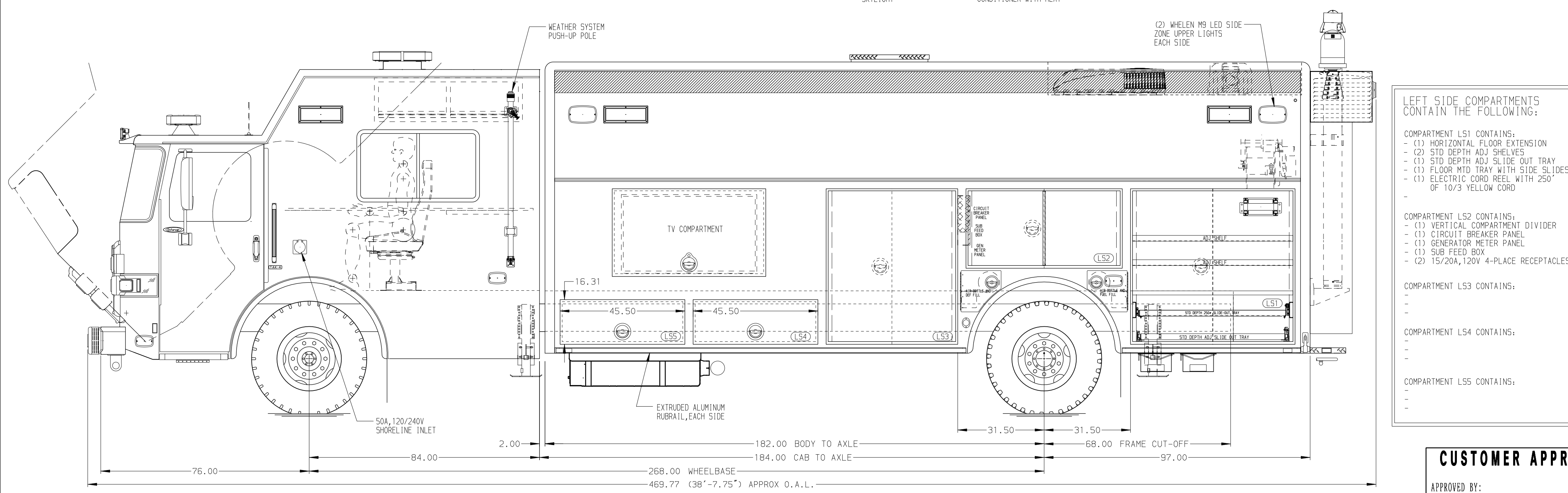
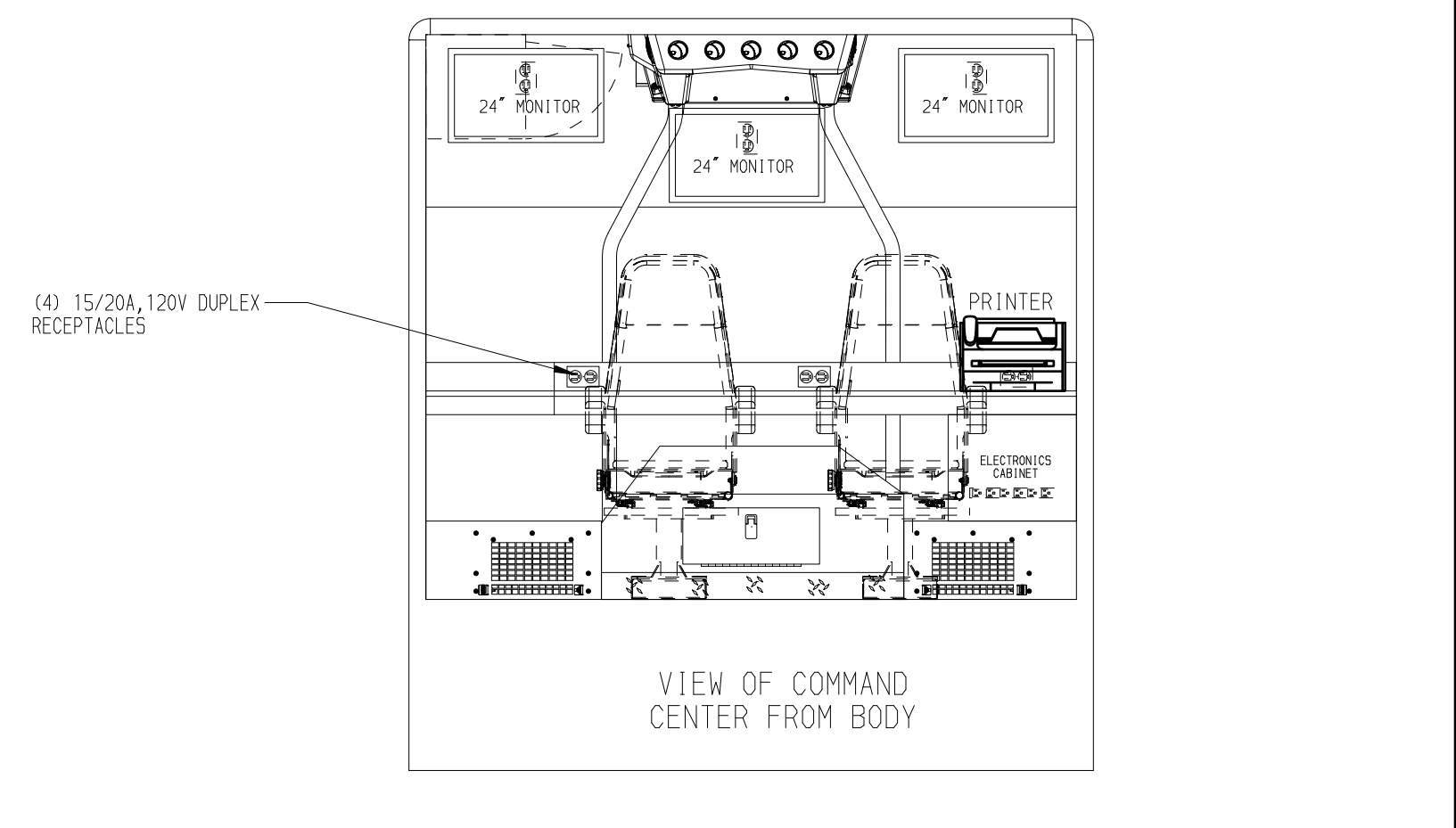
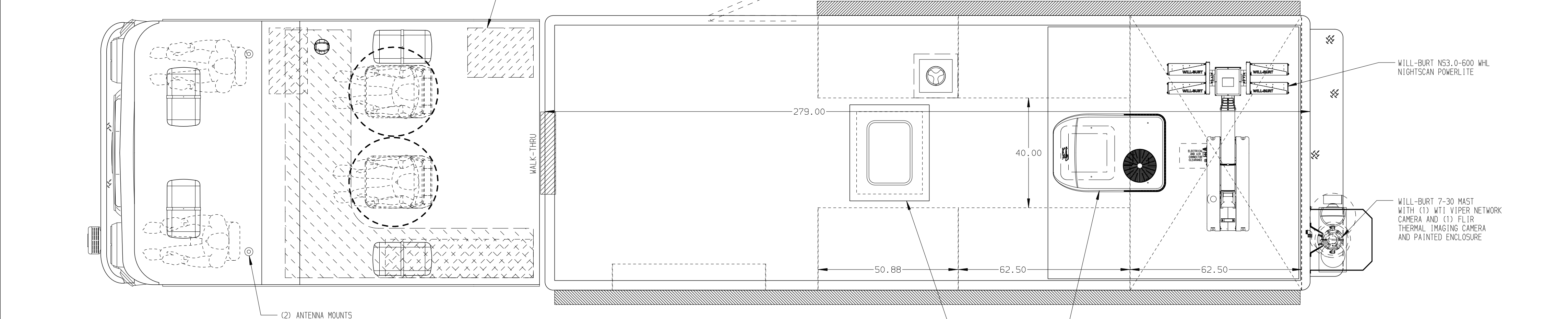
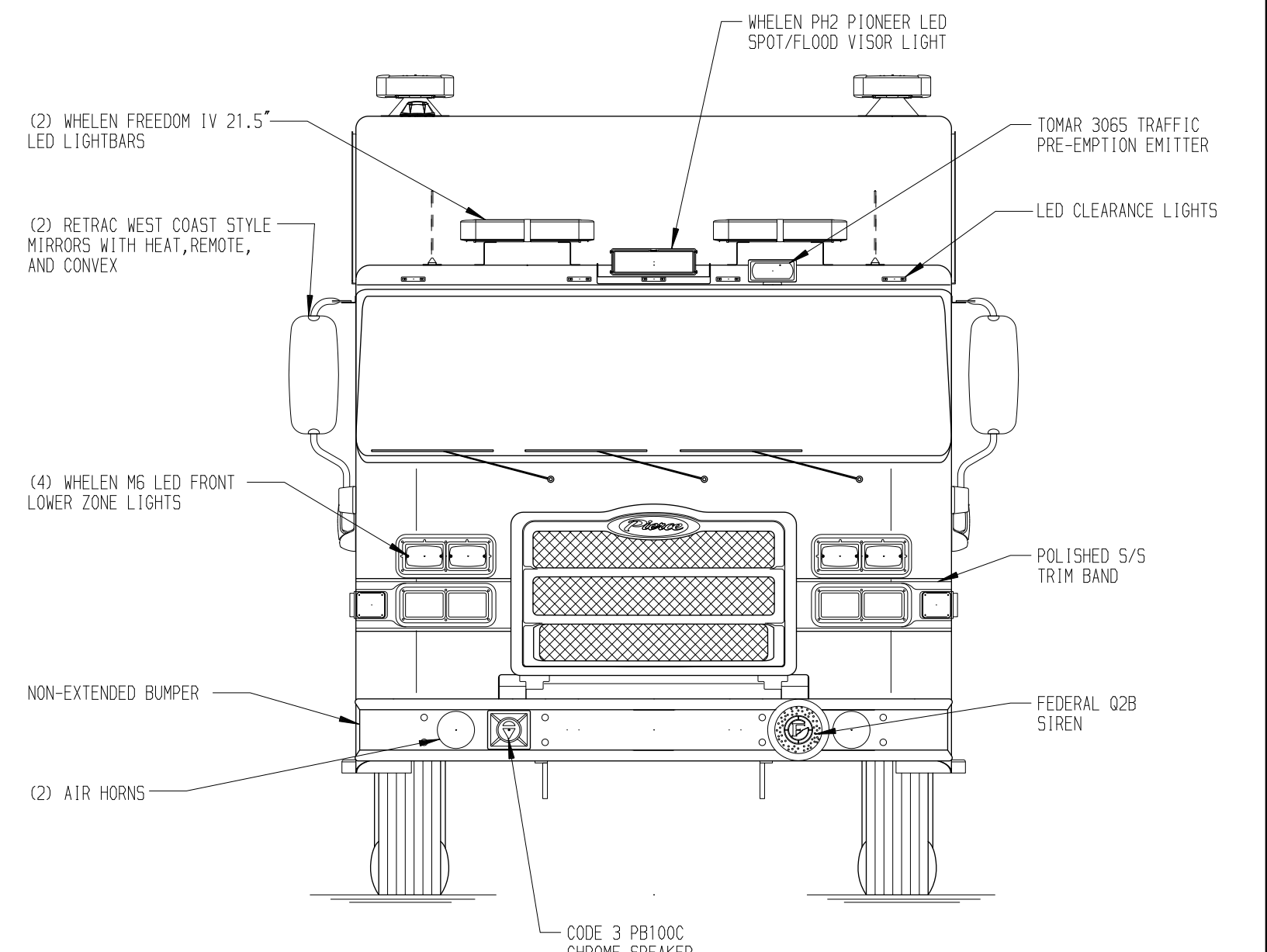
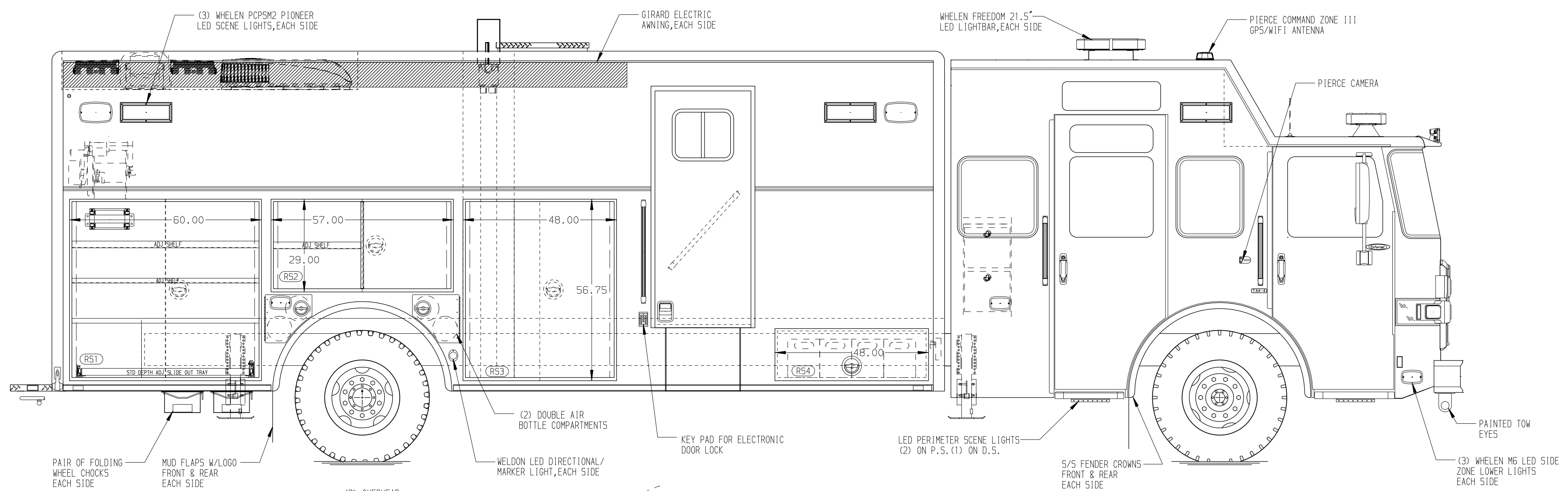
RIGHT SIDE COMPARTMENTS CONTAIN THE FOLLOWING:

COMPARTMENT R51 CONTAINS:
 - (1) HORIZONTAL FLOOR EXTENSION
 - (1) STD DEPTH ADJ SHELF
 - (1) STD DEPTH ADJ SLIDE (1.5"H)
 - (1) FLOOR MTD TRAY WITH SIDE SLIDES
 - (1) ELECTRIC CORD REEL WITH 250' OF 10/3 YELLOW CORD

COMPARTMENT R52 CONTAINS:
 - (1) VERTICAL COMPARTMENT DIVIDER
 - (1) STD DEPTH ADJ SHELF
 - (2) 15/20A, 120V DUPLEX RECEPTACLES

COMPARTMENT R53 CONTAINS:
 -
 -
 -

COMPARTMENT R54 CONTAINS:
 - (1) CAB LIFT CONTROLLER
 - (4) POLY TOOL BOXES



LEFT SIDE COMPARTMENTS CONTAIN THE FOLLOWING:

COMPARTMENT L51 CONTAINS:
 - (1) HORIZONTAL FLOOR EXTENSION
 - (2) STD DEPTH ADJ SHELVES
 - (1) STD DEPTH ADJ SLIDE OUT TRAY
 - (1) FLOOR MTD TRAY WITH SIDE SLIDES
 - (1) ELECTRIC CORD REEL WITH 250' OF 10/3 YELLOW CORD

COMPARTMENT L52 CONTAINS:
 - (1) VERTICAL COMPARTMENT DIVIDER
 - (1) CIRCUIT BREAKER PANEL
 - (1) GENERATOR METER PANEL
 - (1) SUB FEED BOX
 - (2) 15/20A, 120V 4-PLACE RECEPTACLES

COMPARTMENT L53 CONTAINS:
 -
 -

COMPARTMENT L54 CONTAINS:
 -
 -

COMPARTMENT L55 CONTAINS:
 -
 -

NOTE:
 DIMENSIONS SHOWN ARE APPROXIMATE AND ARE SUBJECT TO MINOR DEVIATIONS AS MAY OCCUR OR BE NECESSARY IN CONSTRUCTION. MINOR DETAILS NOT SHOWN.

- NOTES:**
1. ONAN 35kW ONAN SINGLE PHASE PTO DRIVEN GENERATOR LOCATED BETWEEN THE FRAME RAILS
 2. ONSPOT AUTOMATIC TIRE CHAINS
 3. AIR INLET WITH DISCONNECT LOCATED IN THE DRIVER'S STEP WELL OF CAB
 4. POLISHED S/S SOUFFRATES ON CAB AND COMMAND CAB DOOR JAMBS
 5. 2-DRAWER FILE CABINET WITH TOP SHELF LOCATED IN THE COMMAND CAB
 6. FLOOR IN CAB AND COMMAND CAB TO BE ALUMINUM TREADPLATE
 7. KUSUMAL PUMP PLUS CHARGER LOCATED BEHIND THE DRIVER'S SEAT
 8. BATTERY CHARGE INDICATOR LOCATED ON DRIVERS SEAT RISER
 9. BIG FOOT AUTOMATIC LEVELING SYSTEM
 10. PIERCE LED LIGHTS LOCATED IN ALL BODY COMPARTMENTS

NOTE:
 LAP DOORS HAVE BEEN SHOWN IN HIDDEN LINES TO CLEARLY IDENTIFY THE EQUIPMENT IN EACH COMPARTMENT. DASHED LINES ON SIDES ARE DOORS IN OPEN POSITION

(SIDE ROLL AND FRONTAL IMPACT PROTECTION)

CLEAR DOOR WIDTH KEY

AMDR ROLL UP DOORS:	-2 1/4"
CORTITE ROLL UP DOORS:	-2 1/2"
PIERCE DOUBLE LAP DOORS:	-4 1/4"
PIERCE LIFT-UP LAP DOORS:	-1 1/2"

(EX: 60" F-F - 2 1/4" = 57 3/4" CLEAR)
 (F-F) = FRAME TO FRAME

CUSTOMER APPROVAL

APPROVED BY: _____
 DATE: _____

REV	DATE	BY	CH

		JOB NO.	37496
		SCALE	DATE
TITLE	HEAVY DUTY RESCUE WALKIN	DRAWN BY	DHE
FOR	MANHATTEN BID #985	CHECKED BY	CDK
DWG NO.	37496AD-SH1	SHEET SIZE	SHEET NO.
			1 OF 1

BROWN, ROGER