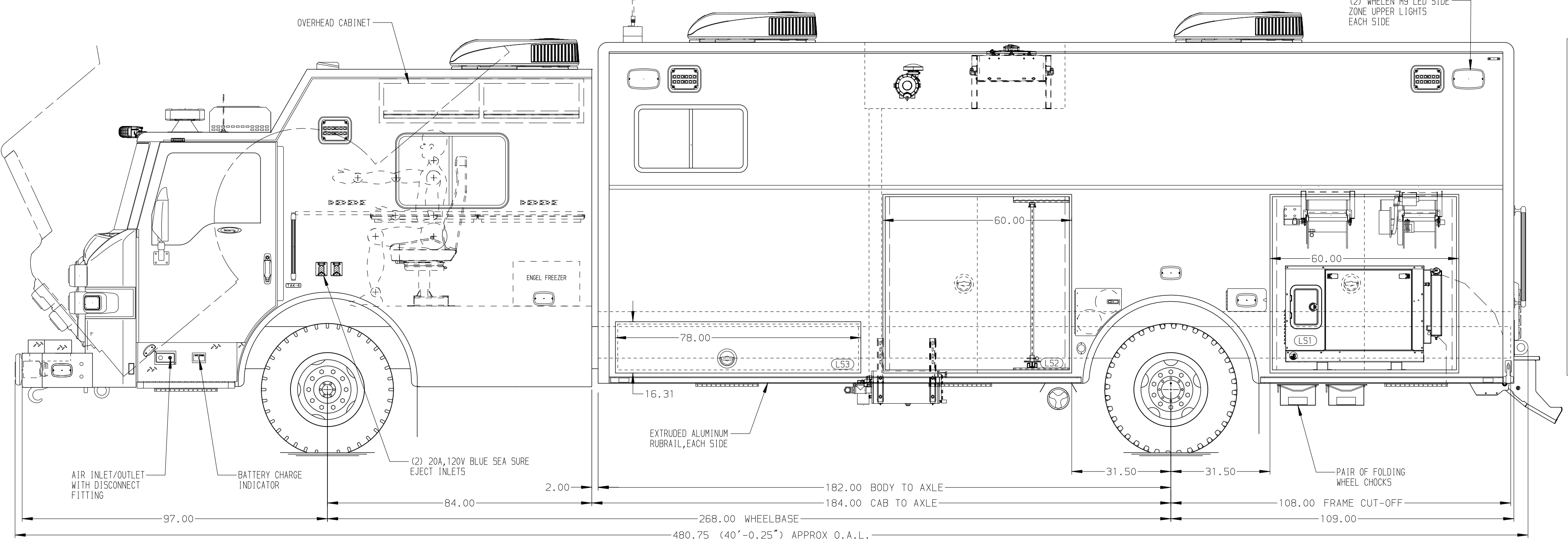
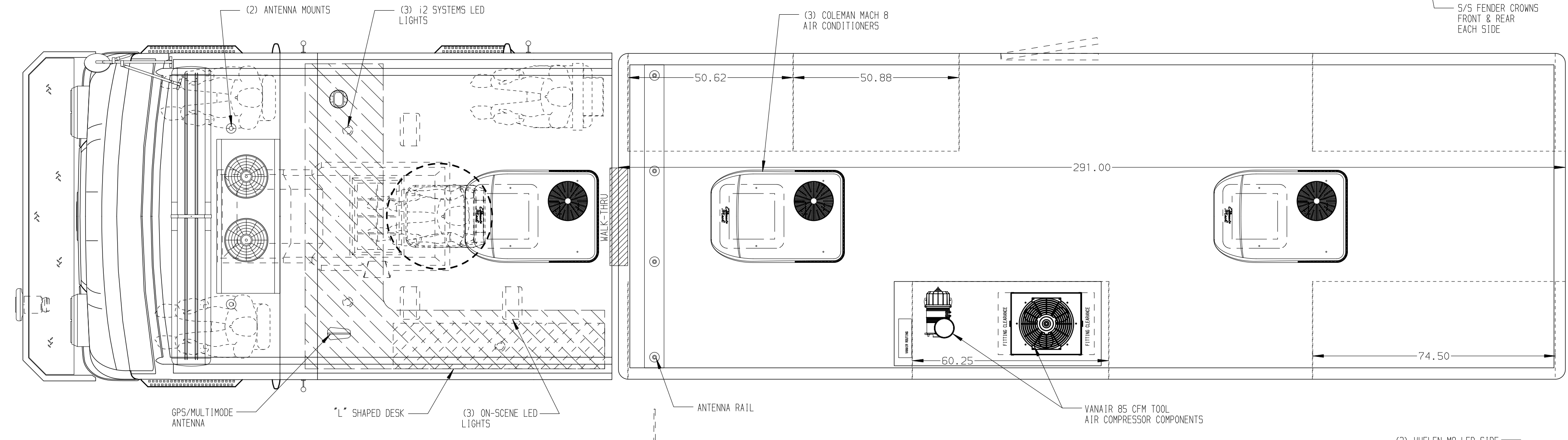
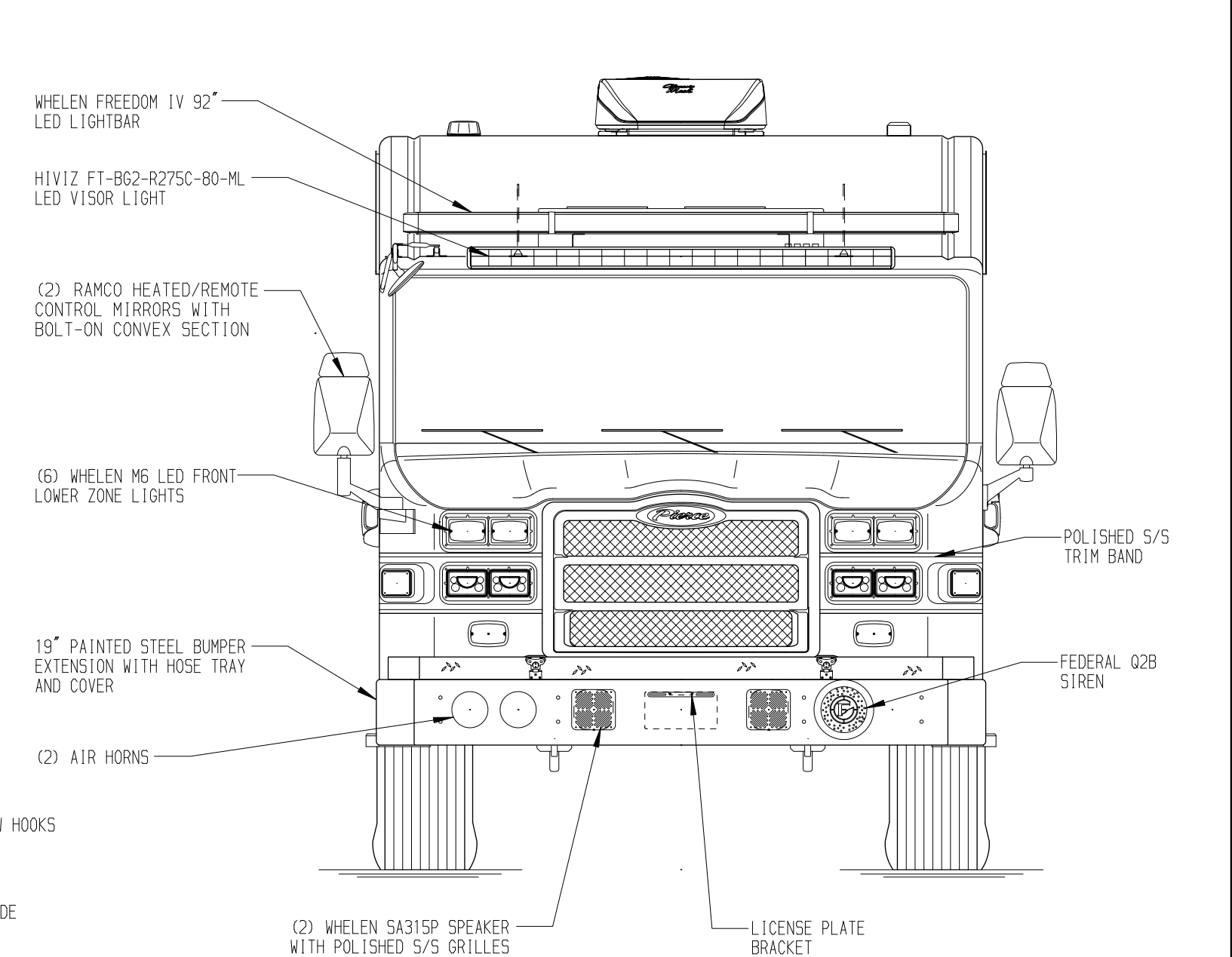
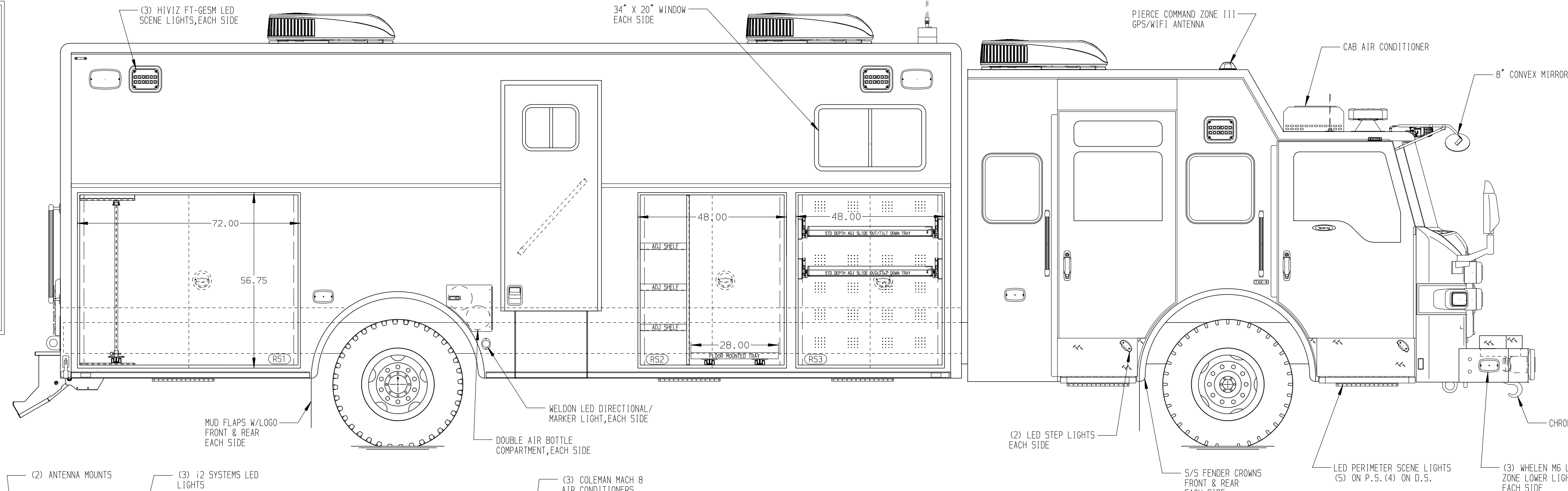


RIGHT SIDE COMPARTMENTS CONTAIN THE FOLLOWING:

COMPARTMENT R51 CONTAINS:
 - PEGBOARD ON LEFT AND RIGHT SIDE
 - (1) STD DEPTH ADJ SLIDE OUT TOOLBOARD
 -

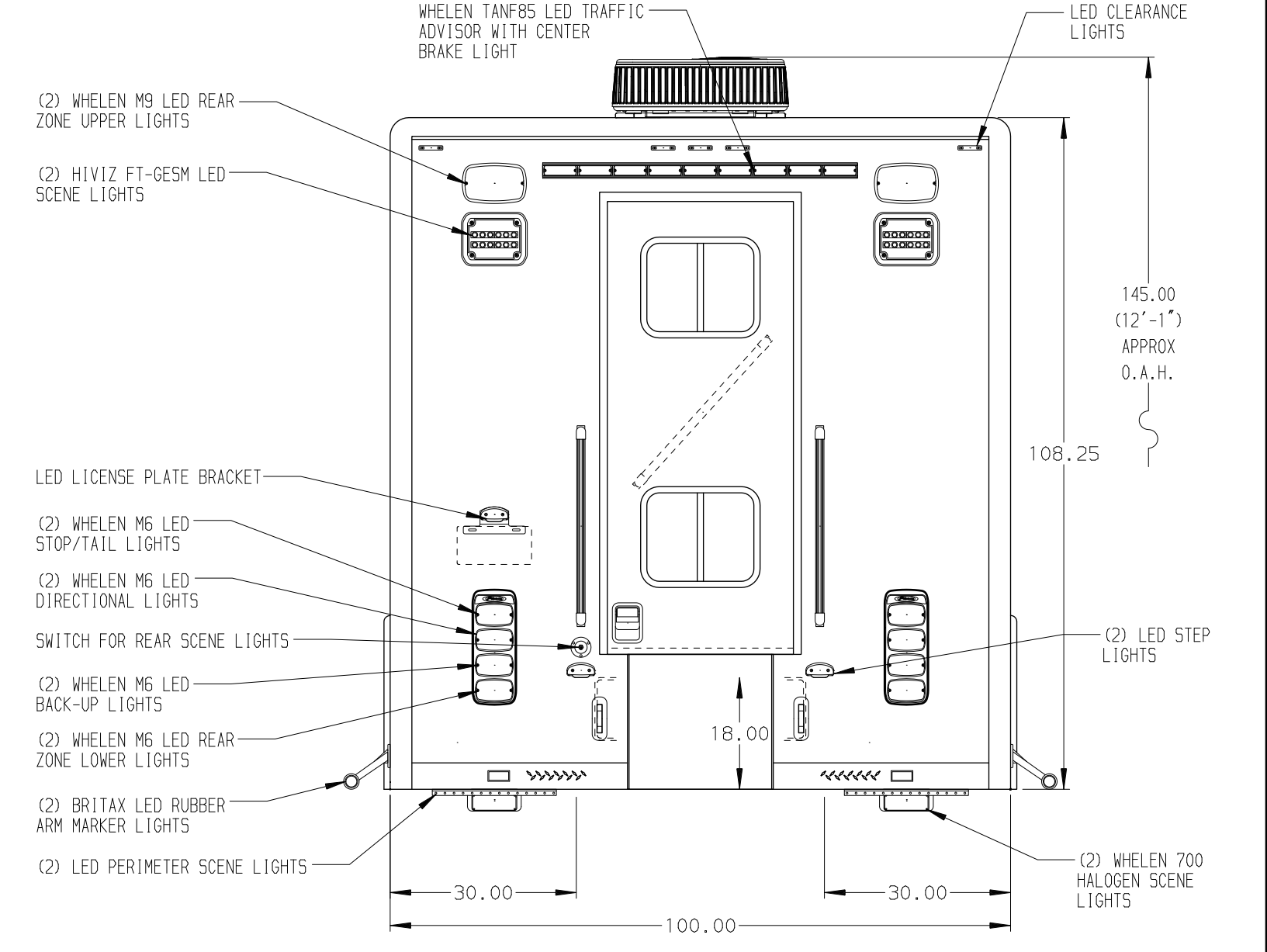
COMPARTMENT R52 CONTAINS:
 - (1) VERTICAL COMPARTMENT DIVIDER
 - (3) STD DEPTH ADJ SHELVES
 - (1) FLOOR MOUNTED TRAY
 -

COMPARTMENT R53 CONTAINS:
 - PEGBOARD ON LEFT, RIGHT AND REAR OF COMPARTMENT
 - (2) STD DEPTH ADJ SLIDE OUT/TILT TRAYS
 -



LEFT SIDE COMPARTMENTS CONTAIN THE FOLLOWING:

COMPARTMENT L51 CONTAINS:
 - PEGBOARD ON LEFT AND RIGHT SIDE
 - (1) POWER TECH PT1-2051-14F DIESEL GENERATOR
 - (1) ELECTRIC CORD REEL WITH 200' OF 10/3 YELLOW CORD
 - (1) TOOL AIR REEL W/200' OF .5\"/>



NOTE
 DIMENSIONS SHOWN ARE APPROXIMATE AND ARE SUBJECT TO MINOR DEVIATIONS AS MAY OCCUR OR BE NECESSARY IN CONSTRUCTION. MINOR DETAILS NOT SHOWN.

- NOTES:**
1. KISSMAUL BRAKE SYSTEM COMPRESSOR LOCATED BEHIND THE DRIVER'S SEAT WITH COVER
 2. POLISHED S/S SCUFFPLATES ON CAB AND CREW CAB DOOR JAMBS
 3. FLOOR IN CAB TO BE PADDED RUBBER AND COMMAND CAB TO BE ALUMINUM TREADPLATE
 4. KISSMAUL PUMP PLUS 1200 CHARGER LOCATED BEHIND THE DRIVER'S SEAT
 5. AMOR LED LIGHTS IN ALL BODY COMPARTMENTS
 6. L-SHAPED S/S GUARDS ON ALL BODY ROLL-UP DOORS

(SIDE ROLL AND FRONTAL IMPACT PROTECTION)

CLEAR DOOR WIDTH KEY

| | |
|---------------------------|---------|
| AMOR ROLL UP DOORS: | -2 1/4" |
| CORTITE ROLL UP DOORS: | -2 1/2" |
| PIERCE DOUBLE LAP DOORS: | -4 1/4" |
| PIERCE LIFT-UP LAP DOORS: | -1 1/2" |

(EX: 60" F-F - 2 1/4" = 57 3/4" CLEAR)
 (F-F) = FRAME TO FRAME

CUSTOMER APPROVAL

APPROVED BY: _____
 DATE: _____

| | | | |
|-----|------|----|----|
| REV | DATE | BY | CH |
| | | | |

| | | | |
|---------|---|------------|-------------|
| | | JOB NO. | 37508 |
| | | SCALE | DATE |
| TITLE | HEAVY DUTY RESCUE WALKIN | DRAWN BY | DHE 24MAY22 |
| FOR | CORPUS CHRISTI FIRE DEPARTMENT BID #372 | CHECKED BY | AZU 25MAY22 |
| DWG NO. | 37508AD-SH1 | SHEET SIZE | SHEET NO. |
| | | D | 1 OF 1 |