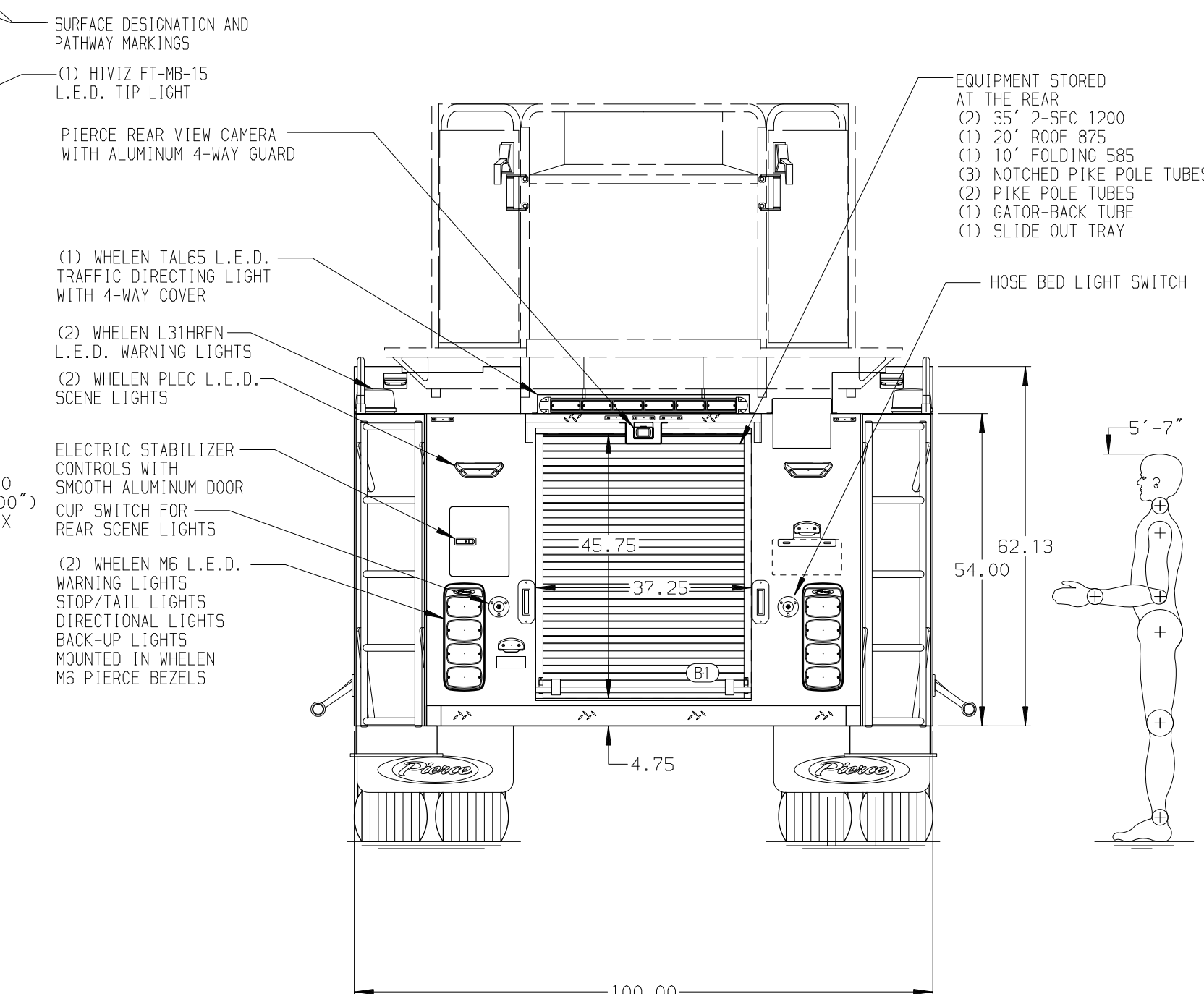
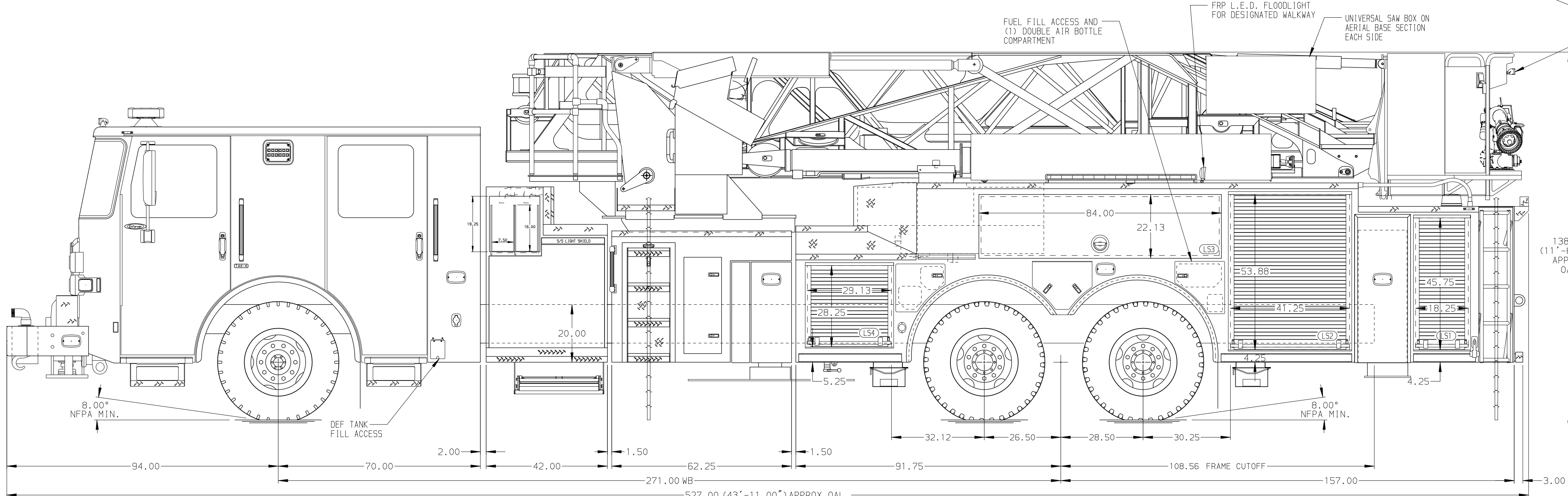


BODY 100' Ascendant Aerial Tower Alum Body COMPT, LEFT SIDE Full Height RollUp, Lift Up Doors COMPT, RIGHT SIDE Full Height RollUp, Lift Up Doors	WATER TANK 300 Gallon Poly Water Tank Foam System Husky 3 Single Agent Foam System Foam Cell 20 Gallon Foam Cell, Reduced Water
---	---



CHASSIS Enforcer Chassis ENGINE 510 HP Paccor MX13 Engine	CAB 7000 Enforcer Cab BUMPER 24\"/>	
AXLE, FRONT, CUSTOM 24,000 Lb TAK-4 Axle AXLE, REAR 54,000 Lb Meritor Axle	TRANSMISSION Allison 6th Gen, 4000 EV5 P	PUMPHOUSE 42\"/>
CROSSLAYS, 1.50" (2) 1.50\", With Trays, 200' CROSSLAYS, 2.50" 2.50\"/>		
SPEEDLAYS Speedlays Not Required	SAFETY Side Roll and Frontal Impact Protection	MAXIMUM OVERALL HEIGHT = 138.00\"/>

Pierce MANUFACTURING INC.		JOB NO.	37511
		SCALE	1:24
		DATE	24MAR22
TITLE		DRAWN BY	JGA
FOR		CHECKED BY	ZCH
DWG NO.		SHEET SIZE	D
37511AD		SHEET NO.	1 OF 1