

PUMPER BODY

Medium Aluminum 2nd Gen Pumper

CHASSIS

Enforcer Chassis

CHASSIS AXLE, FRONT, CUSTOM

18,000 Lb TAK-4 Axle

AXLE, REAR

24,000 Lb Dana Axle

ENGINE

400 HP Cummins L9 Engine

TRANSMISSION

ALLison 5th Gen, 3000 EVS P

BUMPER

19" Extended Stainless Steel

CAB

7010 Enforcer Cab

BODY WATER TANK

750 Gallon Poly Water Tank

COMPT, PUMPER, REAR

44.50" FF RollUp Rear Compt

COMPT, PUMPER, DRIVER SIDE

152" RollUp Full Height Front & Rear FDLR

COMPT, PUMPER PASS. SIDE

152" RollUp Full Height Front & Rear FDLR

FIRE SUPPRESSION PUMPHOUSE

52" Control Zone Side Mount

PUMP

1250 GPM Waterous CS

CROSSLAYS, 1.50"

(2) 1.50" Standard Capacity

CROSSLAYS, 2.50"

2.50" Crosslay Not Required

SPEEDLAYS

Speedlays Not Required

GENERATOR

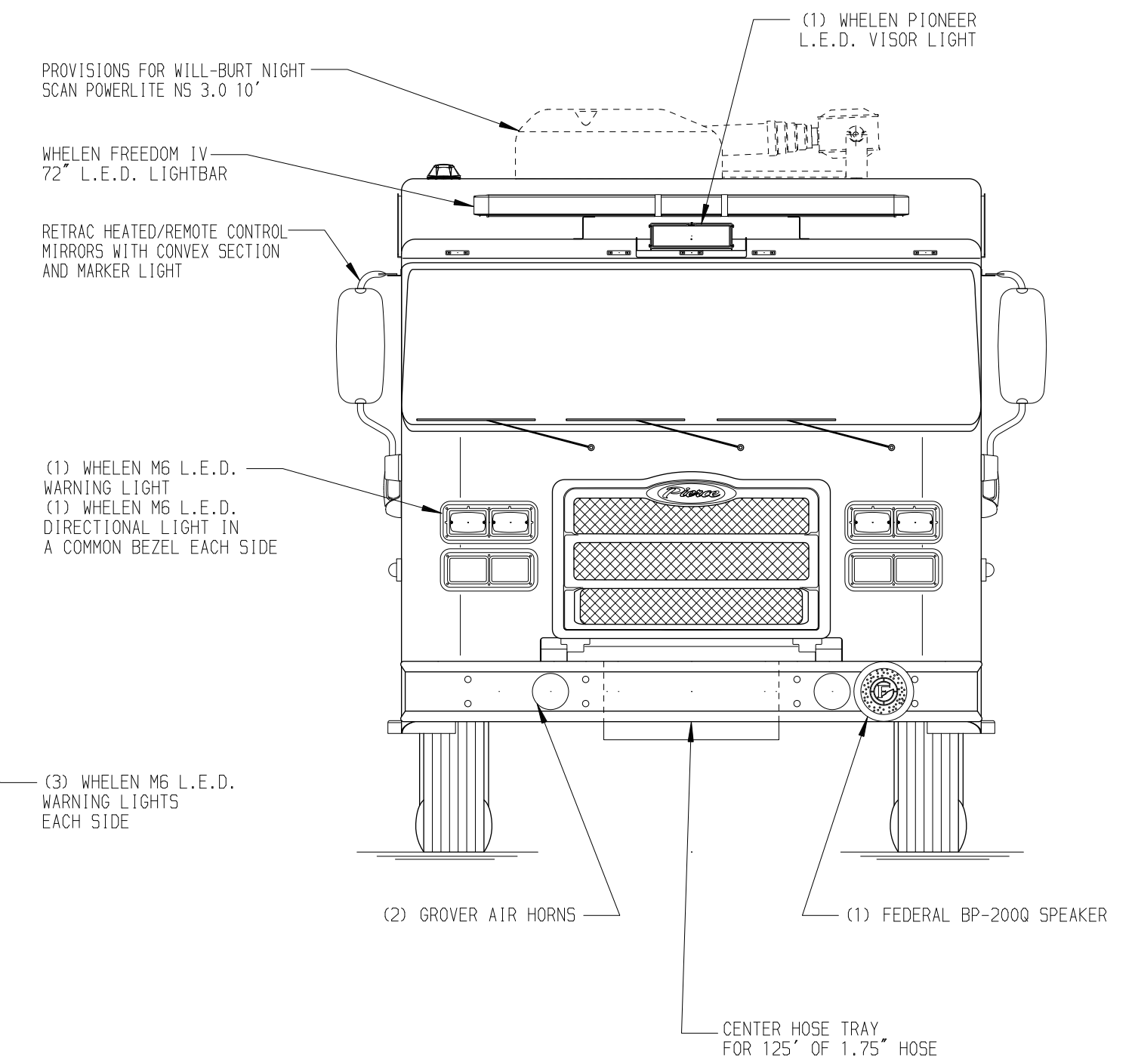
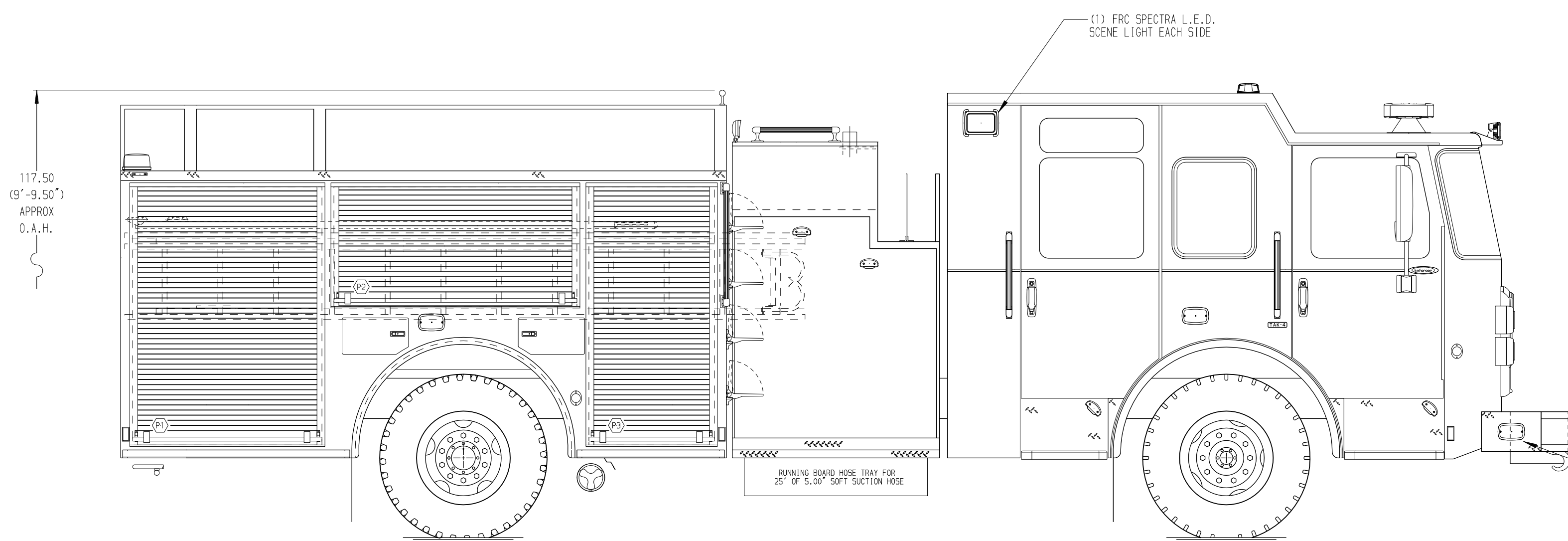
Generator Not Required

Foam System

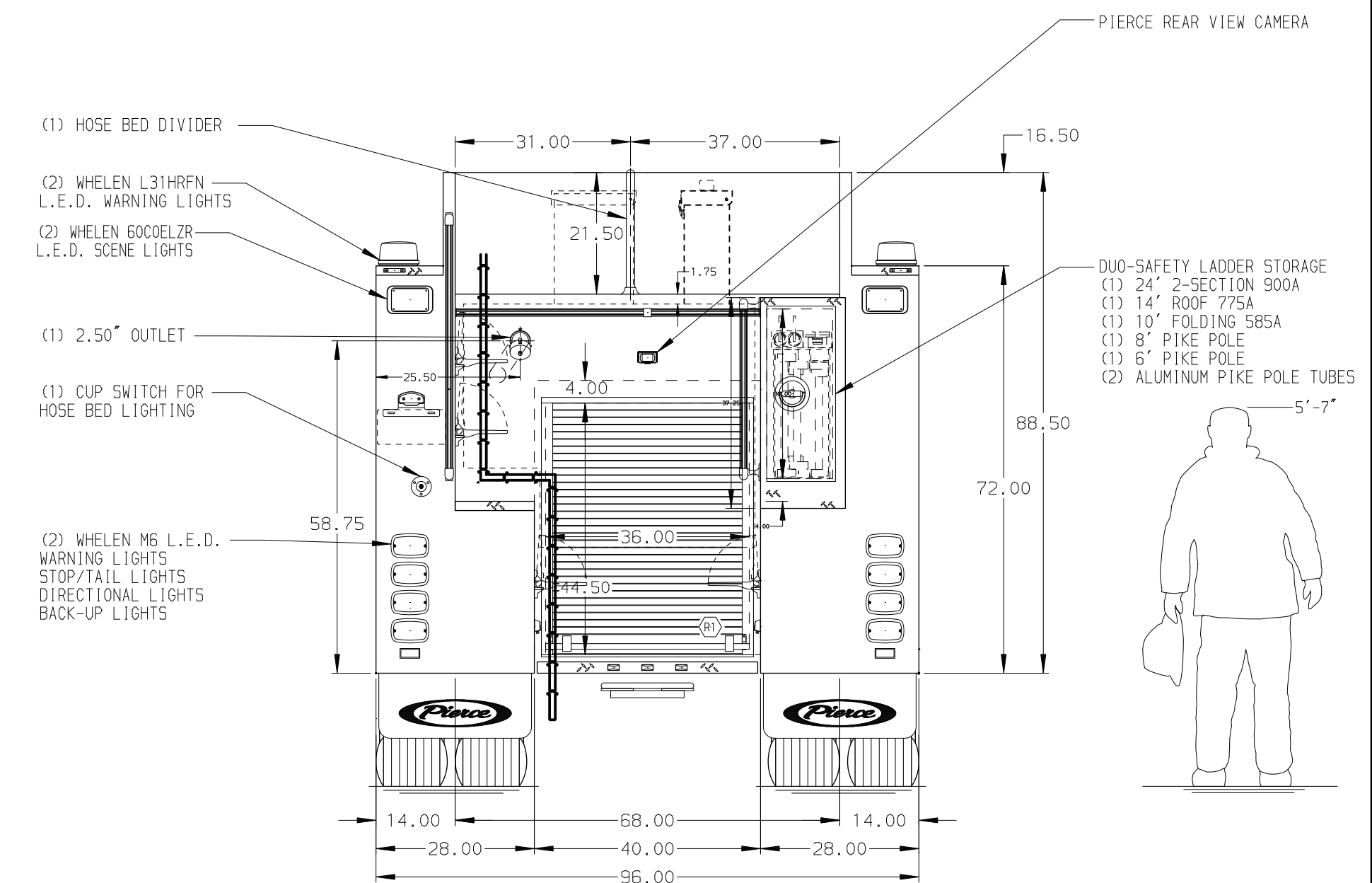
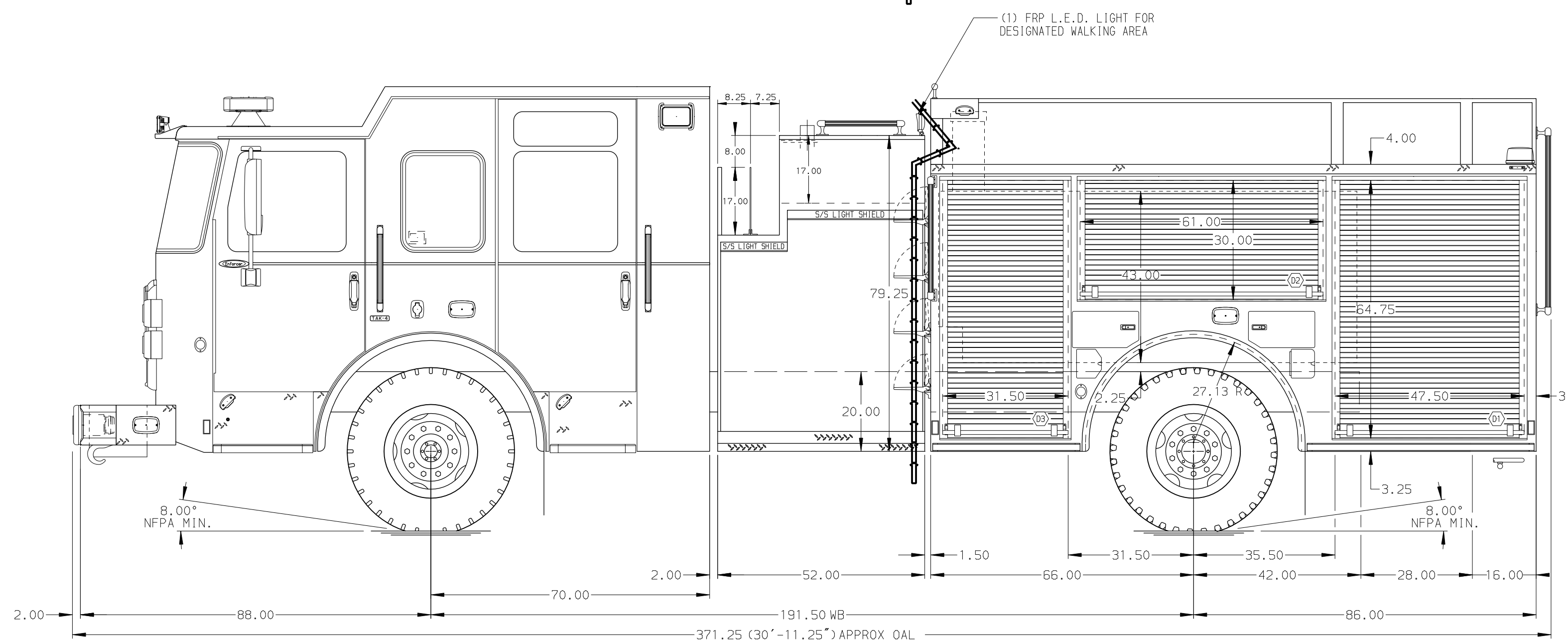
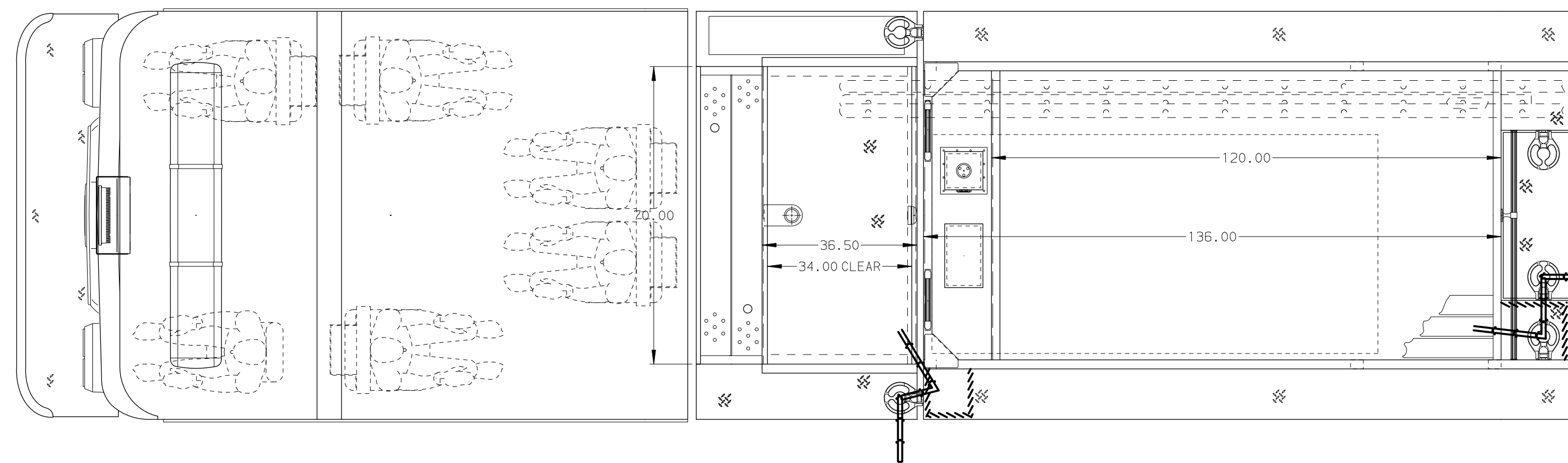
Plumbing For Future Husky 3 or Husky 12

Foam Cell

20 Gallon Foam Cell, Not Reduced Water



HOSEBED CAPACITY	
BED 1	1000' OF 3.00" D.J. POLY HOSE
BED 2	1000' OF 5.00" D.J. POLY HOSE



NOTE
DIMENSIONS SHOWN ARE APPROXIMATE AND ARE SUBJECT TO MINOR DEVIATIONS AS MAY OCCUR OR BE NECESSARY IN CONSTRUCTION. MINOR DETAILS NOT SHOWN.

- ONE 1.50" OUTLET WITH 2.00" PIPING AND SWIVEL LOCATED IN CENTER BUMPER TRAY OF THE CAB
- SHOULDER RECEPTACLE WITH KUSSMAUL SUPER-AUTO-EJECT LOCATED ON DRIVER SIDE OF THE CAB
- AIR INLET WITH DISCONNECT COUPLING IN THE DRIVER SIDE STEPWELL
- BATTERY CHARGER LOCATED BEHIND DRIVER SEAT
- BATTERY CHARGE INDICATOR LOCATED ON THE DRIVER SIDE THROUGH WINDOW
- FOUR ADJUSTABLE SHELVES IN COMPARTMENTS PER SHOP ORDER
- PLUMBING FOR FUTURE HUSKY FOAM SYSTEM

CUSTOMER APPROVAL

APPROVED BY: _____	DATE: _____
CHASSIS DATA	TITLE
MAKE	Pierce Pumper Approval Drawing
PIERCE	FOR
MODEL	Pierce Stock Unit
ENFORCER	DWG NO.
22DEC21	MMF
THS	CH

Pierce MANUFACTURING INC.

JOB NO. 37531

SCALE 1:24 DATE _____

DRAWN BY MMF 09NOV21

CHECKED BY THS 09NOV21

SHEET SIZE D SHEET NO. 1 OF 1

DWG NO. 37531AD