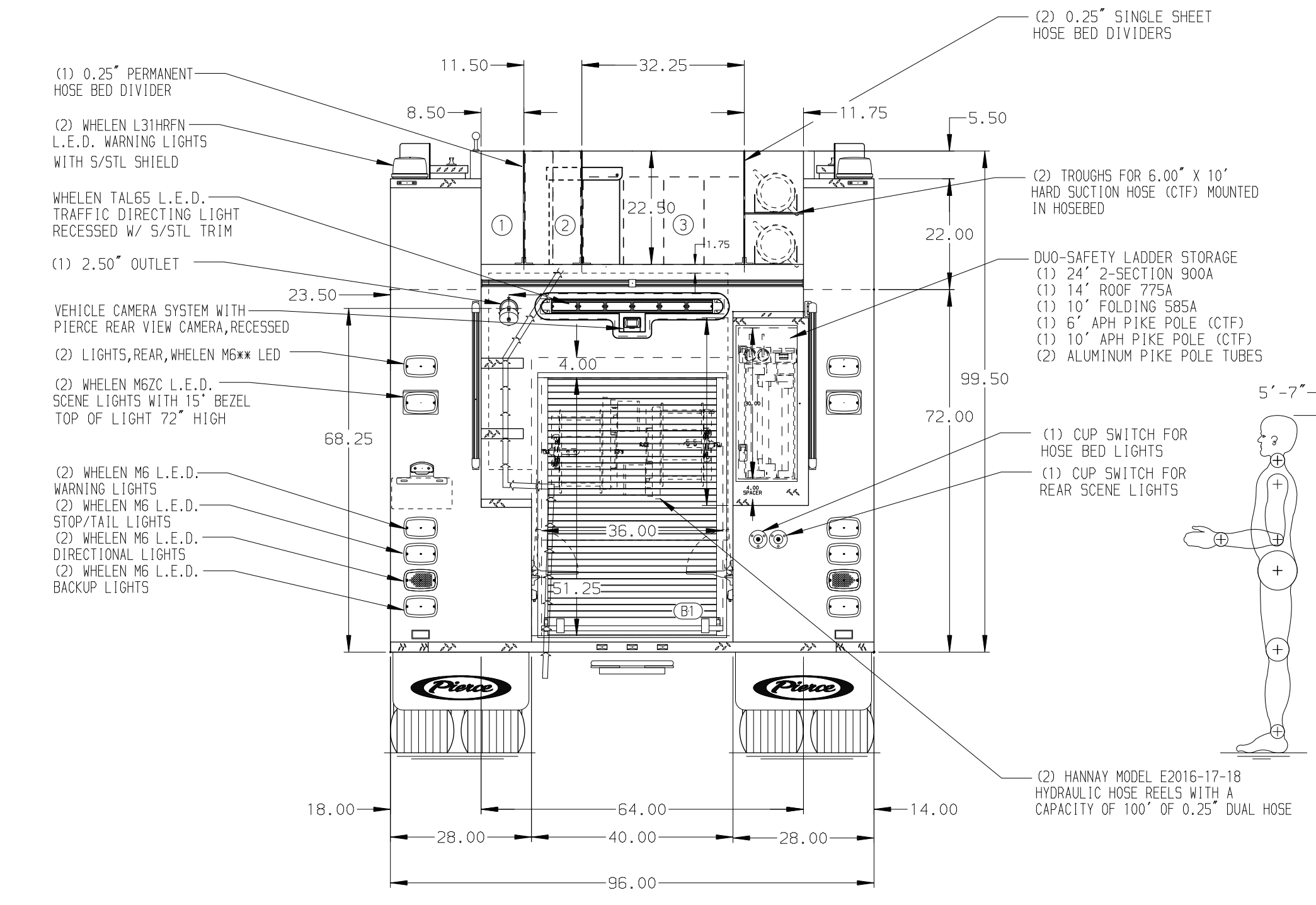
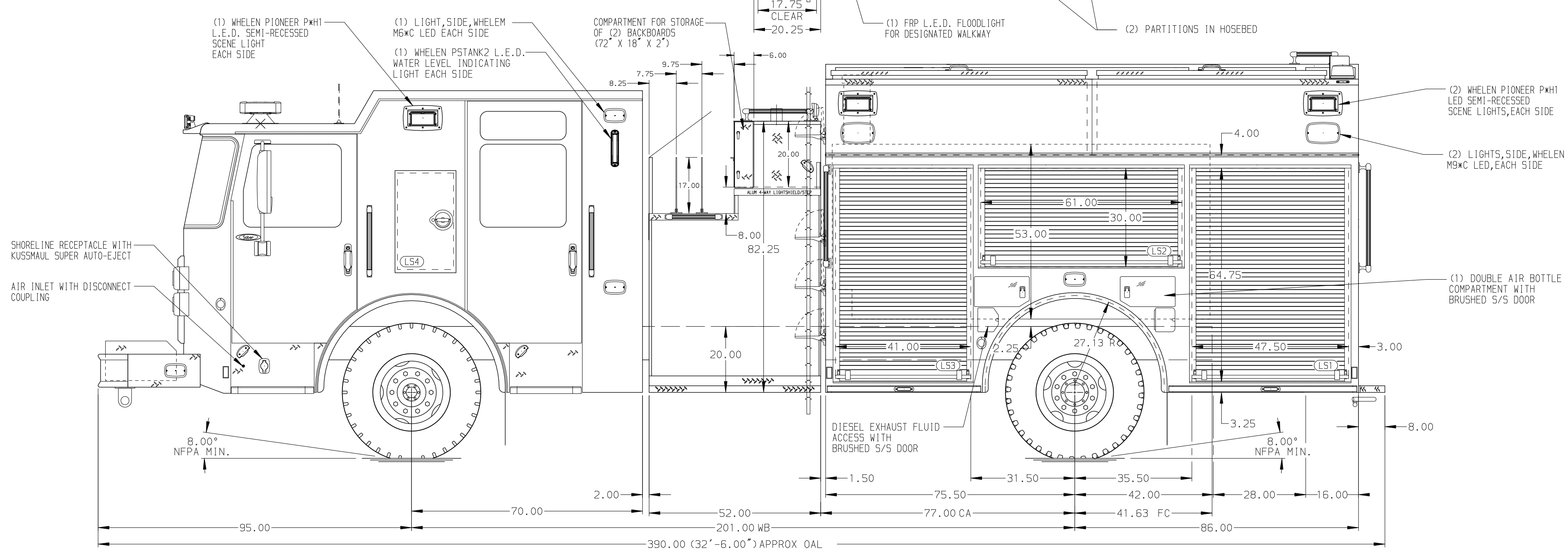


- HOSEBED CAPACITIES
- ① OPEN HOSEBED
  - ② 328' OF 3.00" DJP HOSE
  - ③ 1000' OF 5.00" DJP HOSE



ALUMINUM BODY

NOTE  
DIMENSIONS SHOWN ARE APPROXIMATE AND ARE SUBJECT TO MINOR DEVIATIONS AS MAY OCCUR OR BE NECESSARY IN CONSTRUCTION. MINOR DETAILS NOT SHOWN.

CHASSIS DATA	TITLE	1250-D-1000P, 1000G WATER, 161" BODY, FH F&R FDLER	JOB NO.	37562 01-02
MAKE	FOR	(3) XLAYS, LADDERS BTWN TANK & SS, HATCH CMPTS	SCALE	1:24 DATE
PIERCE	FOR	LAKE COUNTY FIRE RESCUE	DRAWN BY	JRC 01MAR22
MODEL	FOR	LAKE COUNTY, FLORIDA	CHECKED BY	JJR 03MAR22
REV	DWG NO.	37562AD	SHEET SIZE	D SHEET NO.
DATE	NO.			1 OF 1
BY				
CH				