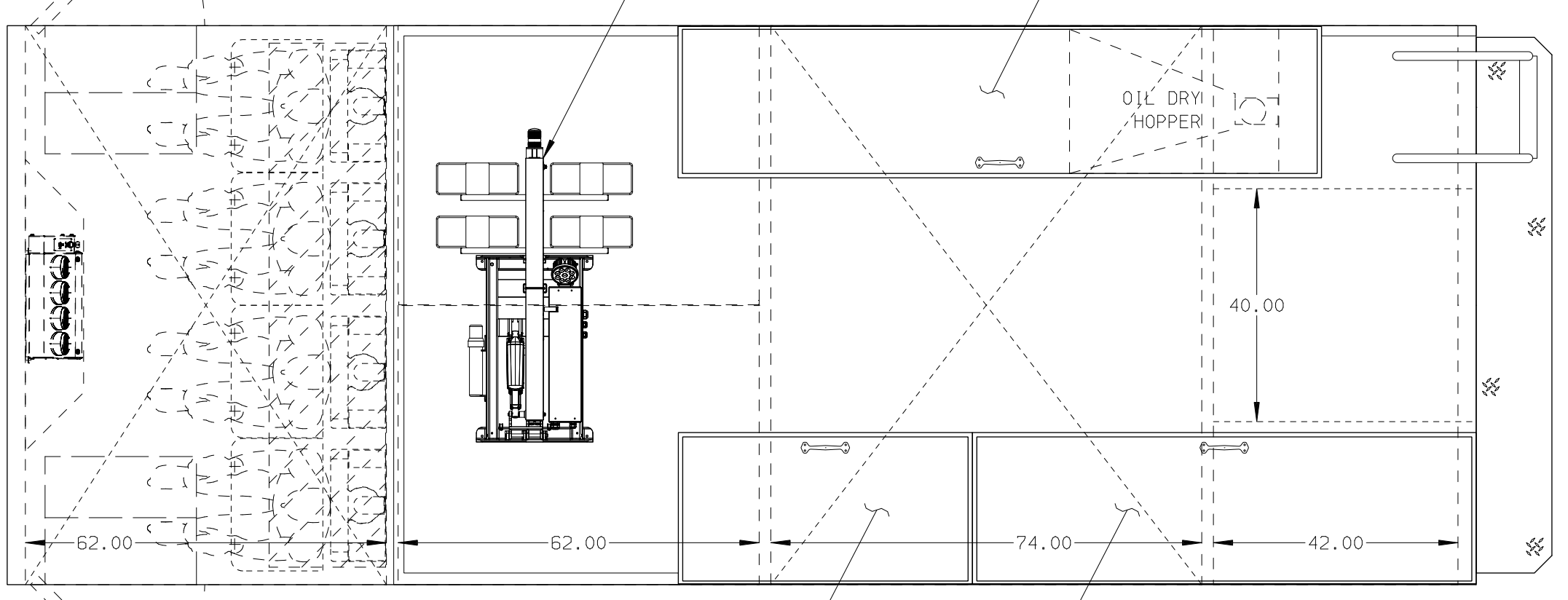
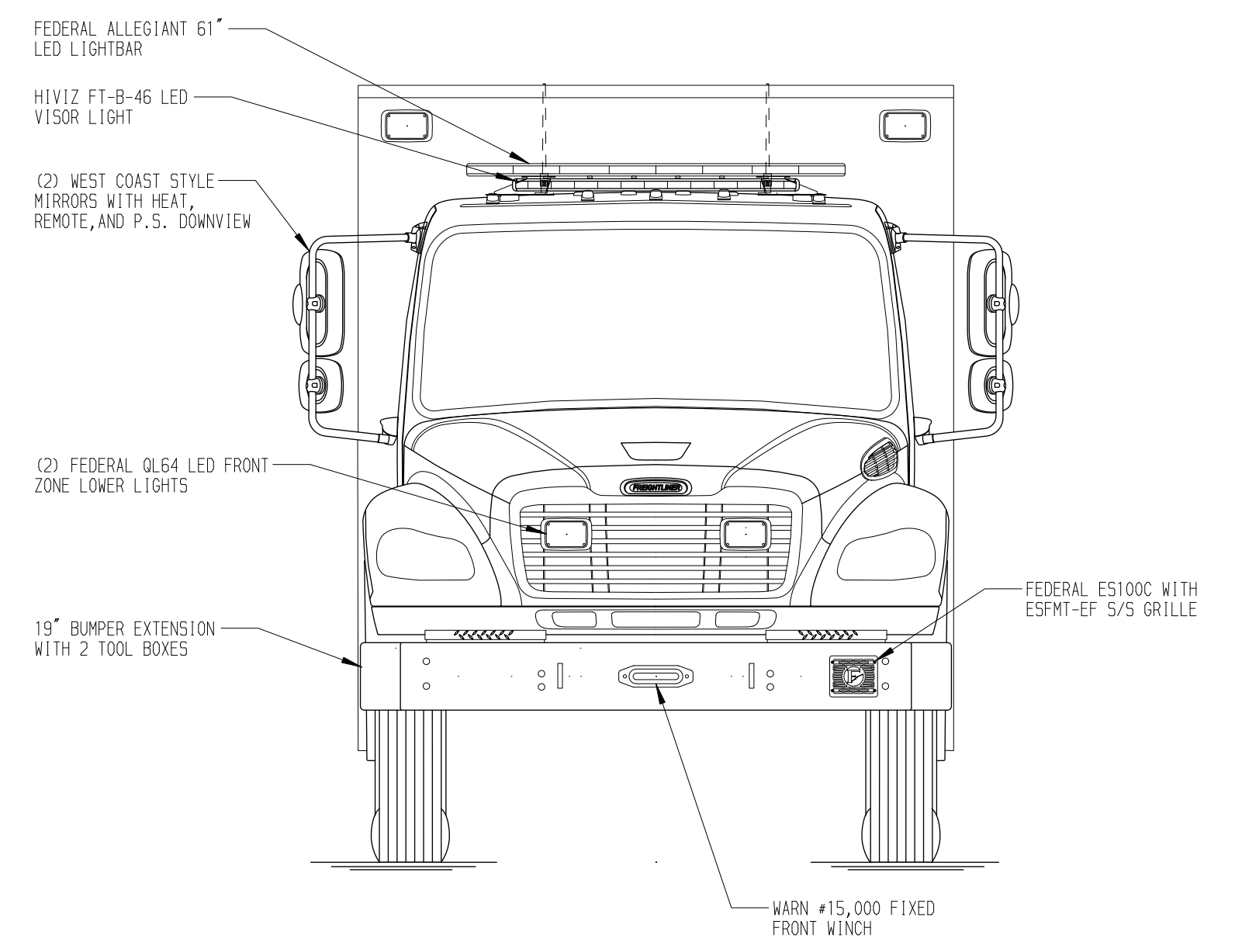
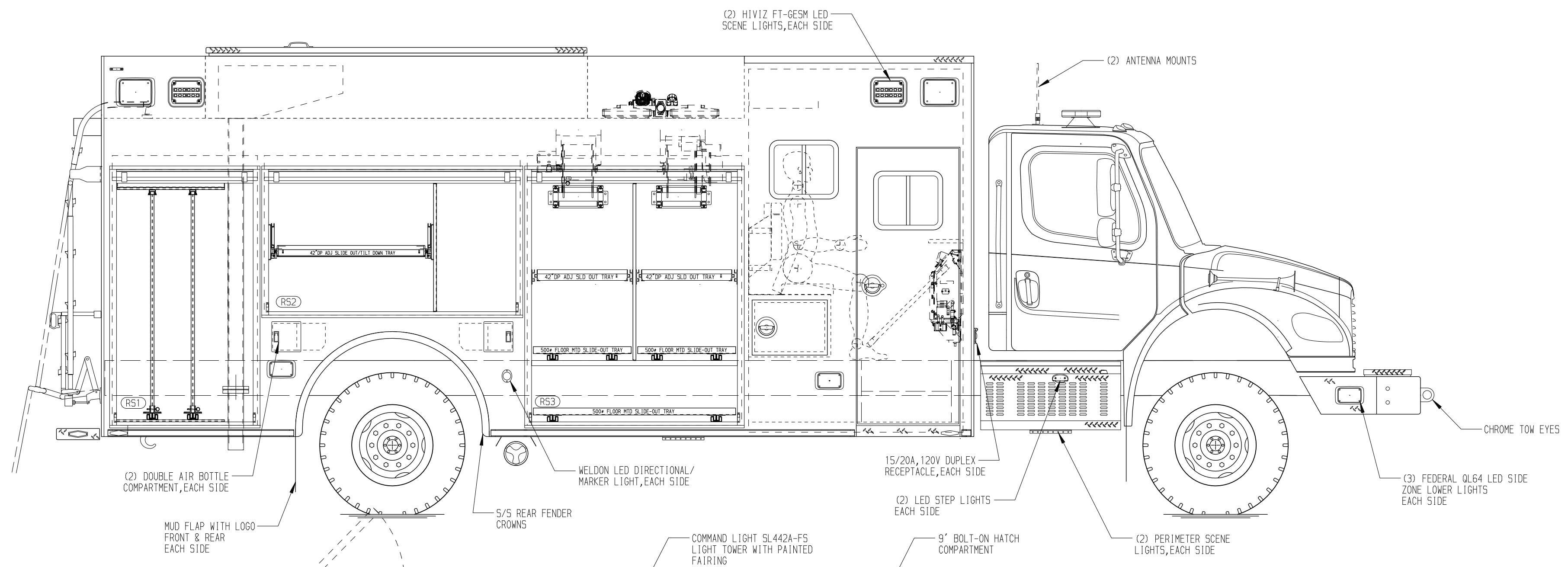
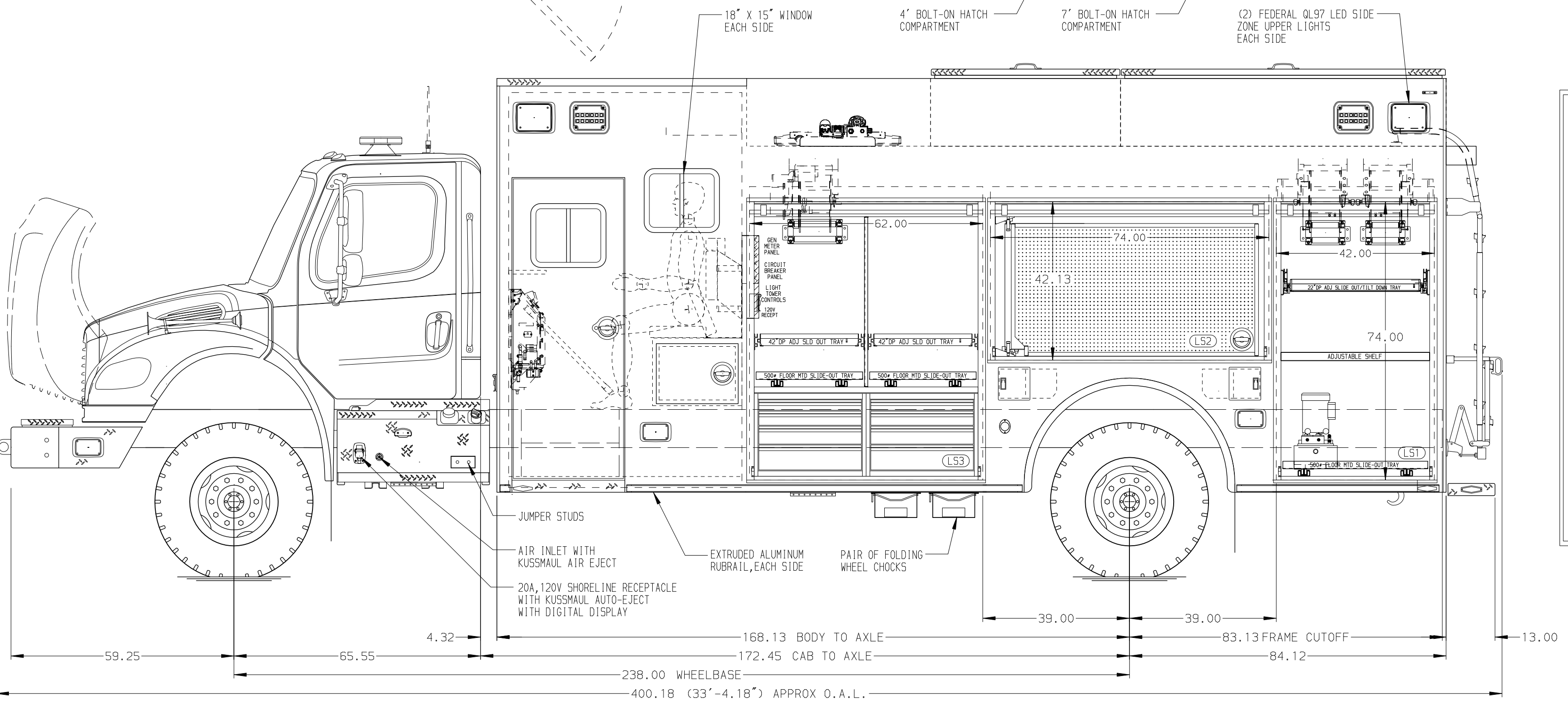
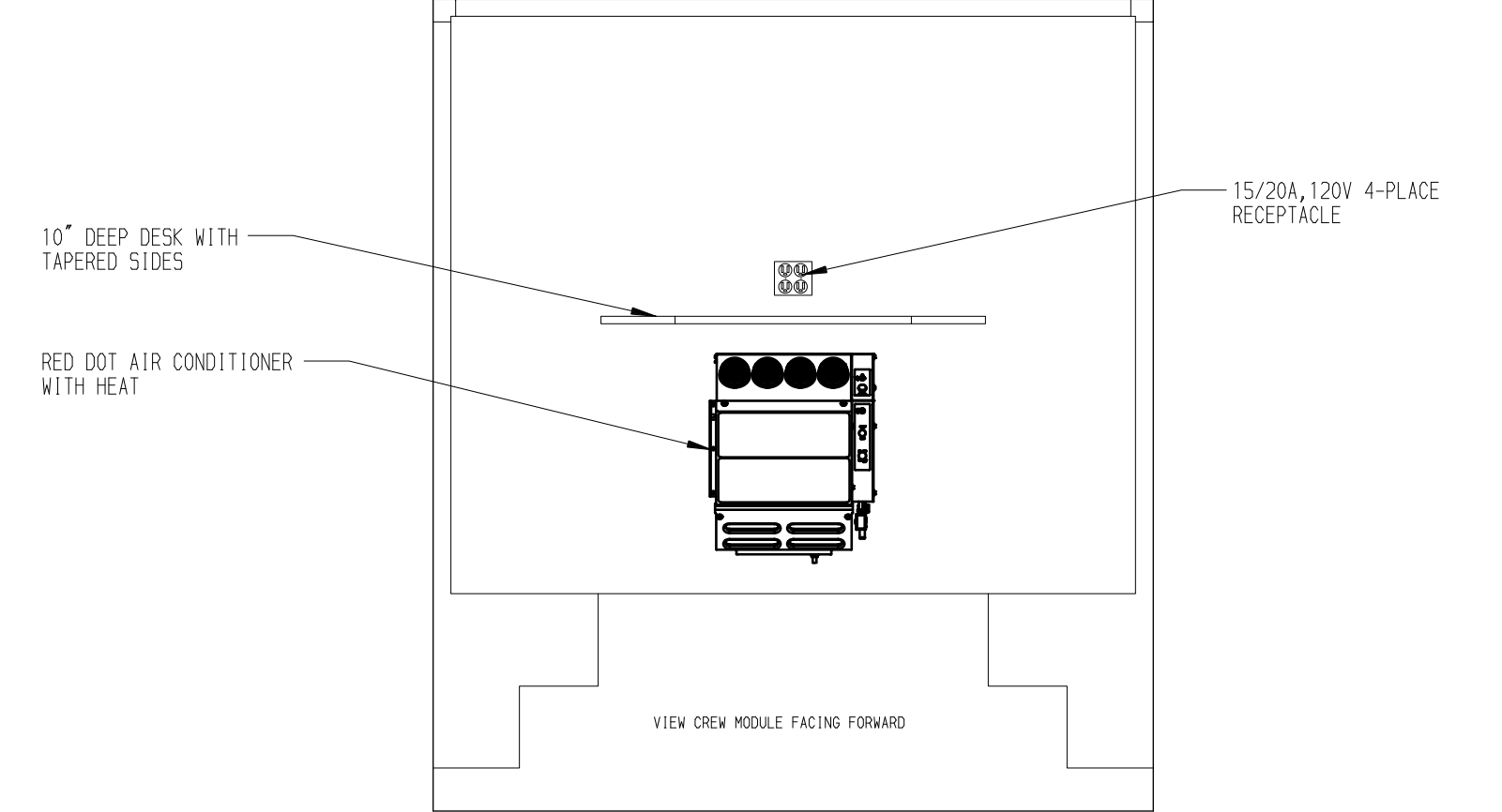


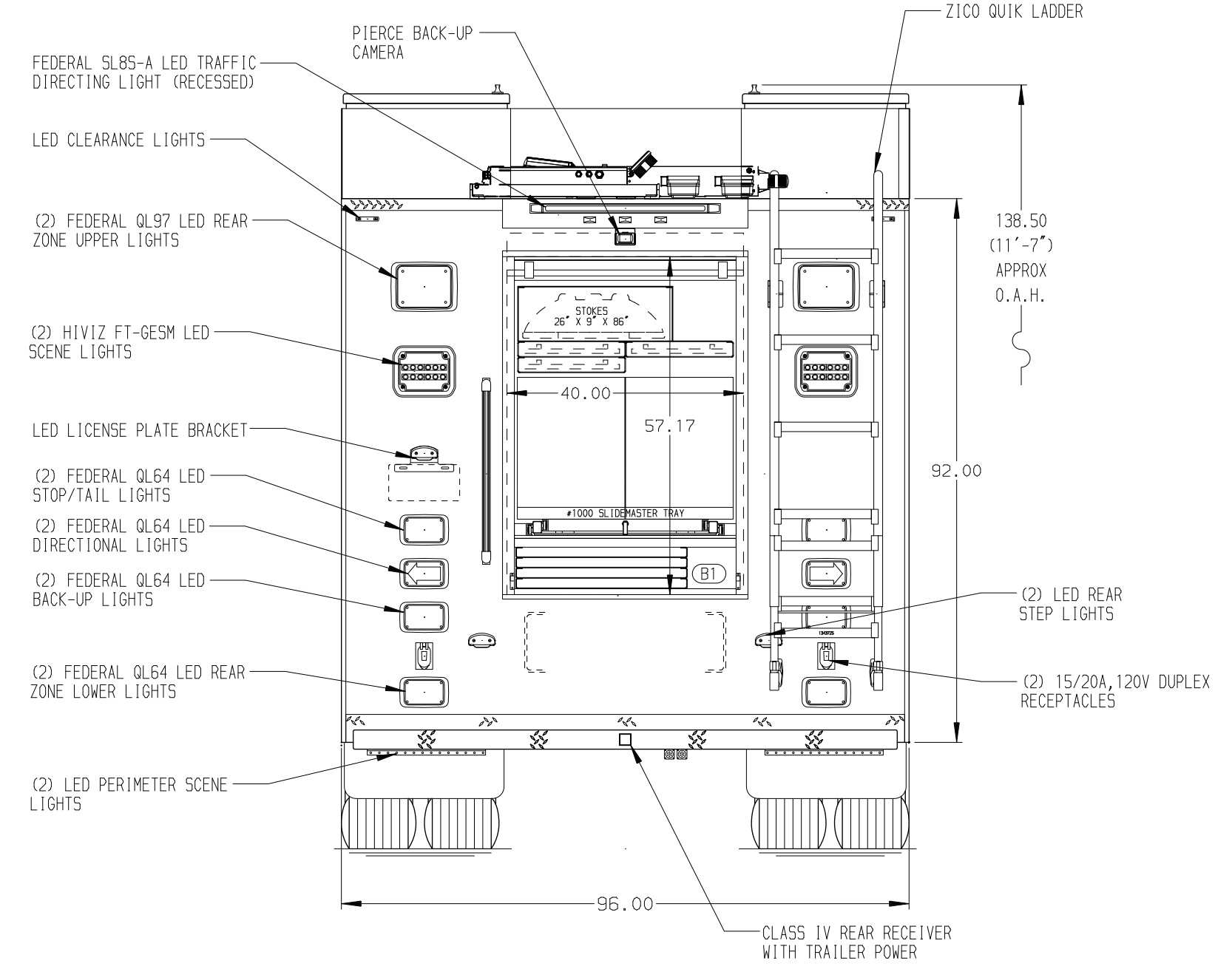
- RIGHT SIDE COMPARTMENTS CONTAIN THE FOLLOWING:**
- COMPARTMENT RS1 CONTAINS:
    - (1) OIL DRY HOPPER
    - (2) 22" DP ADJ SLIDE OUT TOOLBOARDS
  - COMPARTMENT RS2 CONTAINS:
    - (1) VERTICAL COMPARTMENT DIVIDER
    - (1) 42" DP ADJ SLIDE OUT/TILT TRAY
  - COMPARTMENT RS3 CONTAINS:
    - (2) VERTICAL REAR WALL DIVIDERS
    - (1) TRANSVERSE VERTICAL DIVIDER
    - (1) HORIZONTAL FLOOR EXTENSION
    - (2) 42" DP ADJ SLIDE OUT TRAYS
    - (1) FLOOR MOUNTED TRAY
    - (2) 42" DP FLOOR MOUNTED TRAYS
    - (1) ELECTRIC CORD REEL WITH 200' OF 10/3 YELLOW CORD
    - (1) TOOL AIR REEL WITH 200' OF HOSE



- REAR COMPARTMENT CONTAINS THE FOLLOWING:**
- COMPARTMENT B1 CONTAINS:
    - (1) HORIZONTAL FLOOR EXTENSION
    - (1) RACK FOR 4 AIR BAGS
    - (1) RACK FOR 3 BACKBOARDS
    - (1) RACK FOR STOKES BASKET
    - (1) SLIDEMASTER TRAY WITH DIVIDERS



- LEFT SIDE COMPARTMENTS CONTAIN THE FOLLOWING:**
- COMPARTMENT LS1 CONTAINS:
    - (1) 22" DP ADJ SHELF
    - (1) FLOOR MOUNTED TRAY
    - (1) 22" DP ADJ SLIDE OUT/TILT TRAY
    - (2) HYDRAULIC REELS W/100' OF HOSE EACH
  - COMPARTMENT LS2 CONTAINS:
    - (2) SWING OUT TOOLBOARDS
  - COMPARTMENT LS3 CONTAINS:
    - (1) XANTREX TRUECHARGE BATTERY CHARGER
    - (2) VERTICAL REAR WALL DIVIDERS
    - (1) TRANSVERSE VERTICAL DIVIDER
    - (1) HORIZONTAL FLOOR EXTENSION
    - (2) 4-DRAWER C-TECH CABINET
    - (2) 42" DP ADJ SLIDE OUT TRAYS
    - (2) 42" DP FLOOR MOUNTED TRAYS
    - (1) CIRCUIT BREAKER PANEL
    - (1) GENERATOR METER PANEL
    - (1) COMMAND LIGHT CONTROLLER
    - (1) ELECTRIC CORD REEL WITH 200' OF 10/3 BLACK CORD
    - (1) 30A, 240V T.L. RECEPTACLE
    - (1) AMKUS EF25-XL 240V POWER UNIT



**NOTE**  
DIMENSIONS SHOWN ARE APPROXIMATE AND ARE SUBJECT TO MINOR DEVIATIONS AS MAY OCCUR OR BE NECESSARY IN CONSTRUCTION. MINOR DETAILS NOT SHOWN.

- NOTES:**
- ONAN 25kW SINGLE PHASE PTO DRIVEN GENERATOR LOCATED BETWEEN THE FRAME RAILS
  - DRI-DECK MATTING ON ALL COMPARTMENT SHELVES, TRAYS, AND FLOORS
  - PULL-STRAPS ON ALL BODY ROLL-UP DOORS
  - FULL WIDTH FIXED SHELF ABOVE THE BENCH SEAT
  - 5/5 GUARDS ON ALL BODY ROLL-UP DOORS
  - PIERCE LED STRIP LIGHTS IN ALL BODY COMPARTMENTS
  - 15/20A, 120V 4-PLACE RECEPTACLE LOCATED IN THE CAB

**CUSTOMER APPROVAL**  
APPROVED BY: \_\_\_\_\_  
DATE: \_\_\_\_\_



JOB NO.	37585
SCALE	DATE
1:24	
DRAWN BY	27JUL22
DHE	
CHECKED BY	28JUL22
CDK	
SHEET SIZE	SHEET NO.
D	1 OF 1

CLEAR DOOR WIDTH KEY			
AMDR ROLL UP DOORS:	-2 1/4"	CHASSIS DATA	TITLE
GORTITE ROLL UP DOORS:	-2 1/2"	MAKE	ENCORE RESCUE VEHICLE
PIERCE DOUBLE LAP DOORS:	-4 1/4"	FREIGHTLINER	CRW: 62.74.42
PIERCE LIFT-UP LAP DOORS:	-1 1/2"	MODEL	TOWN OF HANNA
(EX: 60" F-F - 2 1/4" = 57 3/4" CLEAR)		REV	BID #745
(F-F) = FRAME TO FRAME		DATE	FEDUNI W, CAREY
		BY	DWG NO.
		CH	37585AD