

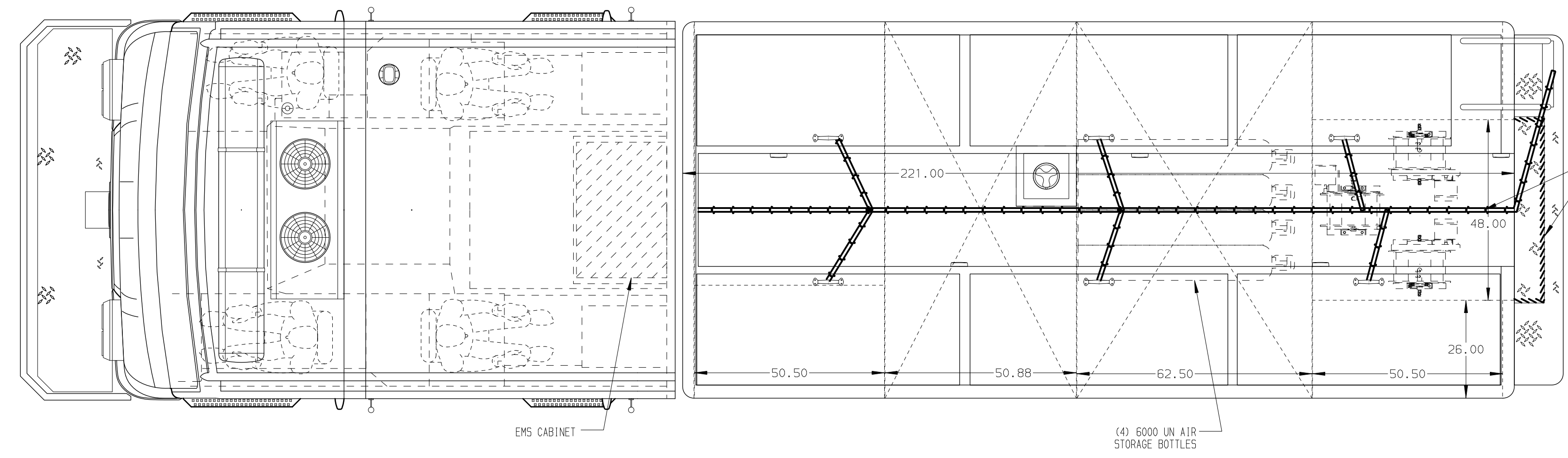
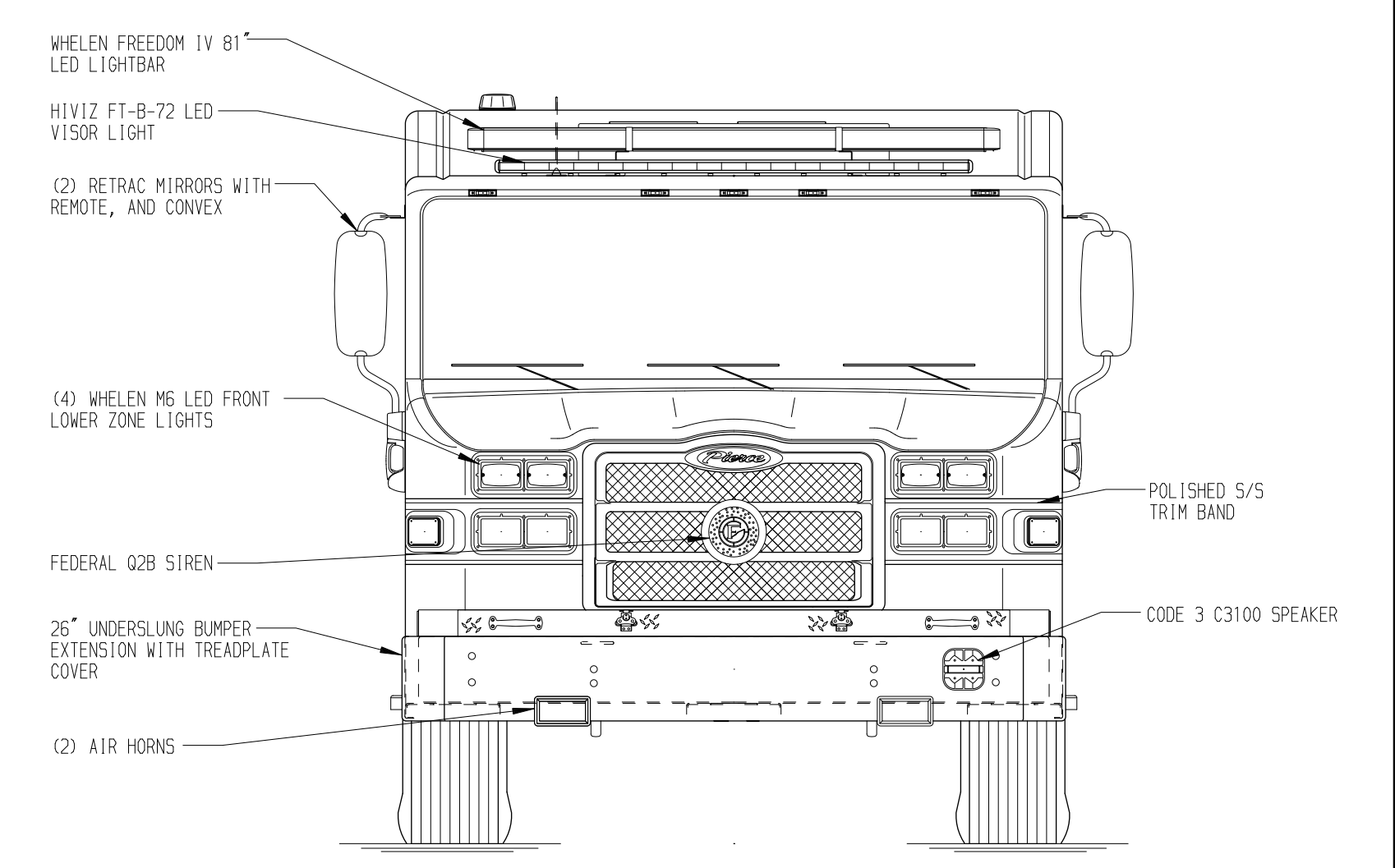
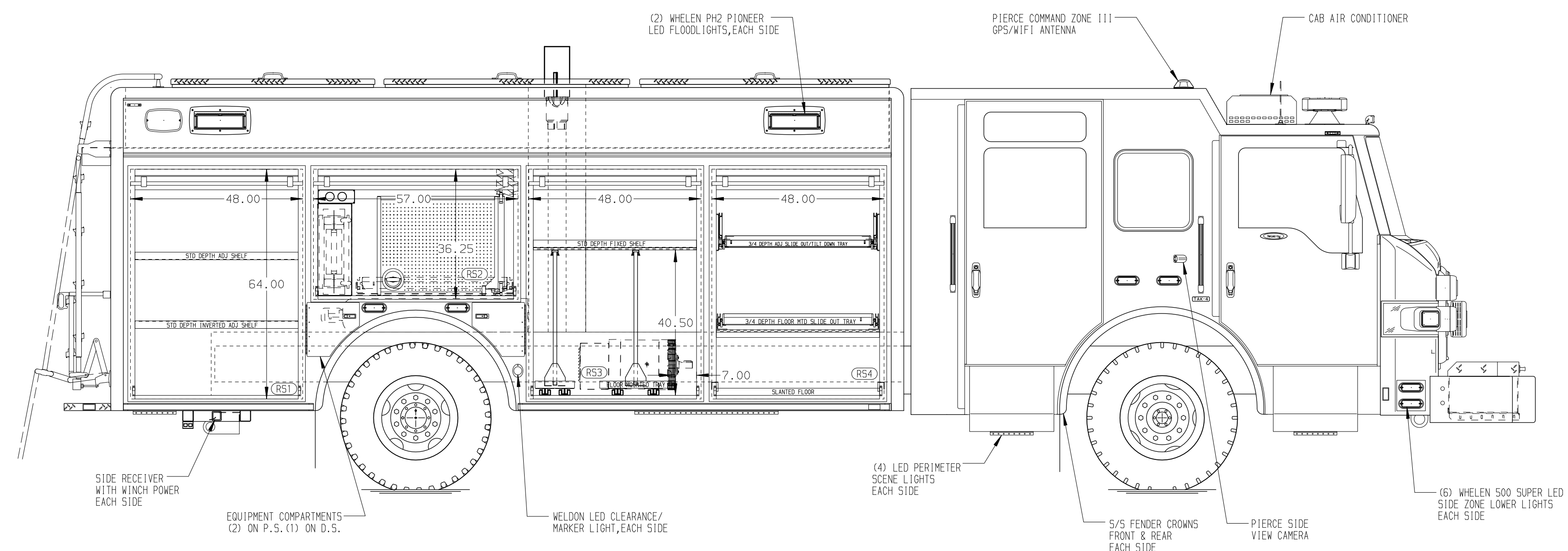
RIGHT SIDE COMPARTMENTS CONTAIN THE FOLLOWING:

COMPARTMENT RS1 CONTAINS:
 - (1) SPECIAL DEPTH ADJ SHELF
 - (1) SPECIAL DEPTH INVERTED SHELF
 -

COMPARTMENT RS2 CONTAINS:
 - (1) KUSSMAUL PUMP PLUS 1200 CHARGER
 - (1) SWING OUT TOOLBOARD
 - (1) 2-WAY FLOOR MTD SLIDE OUT TRAY
 -

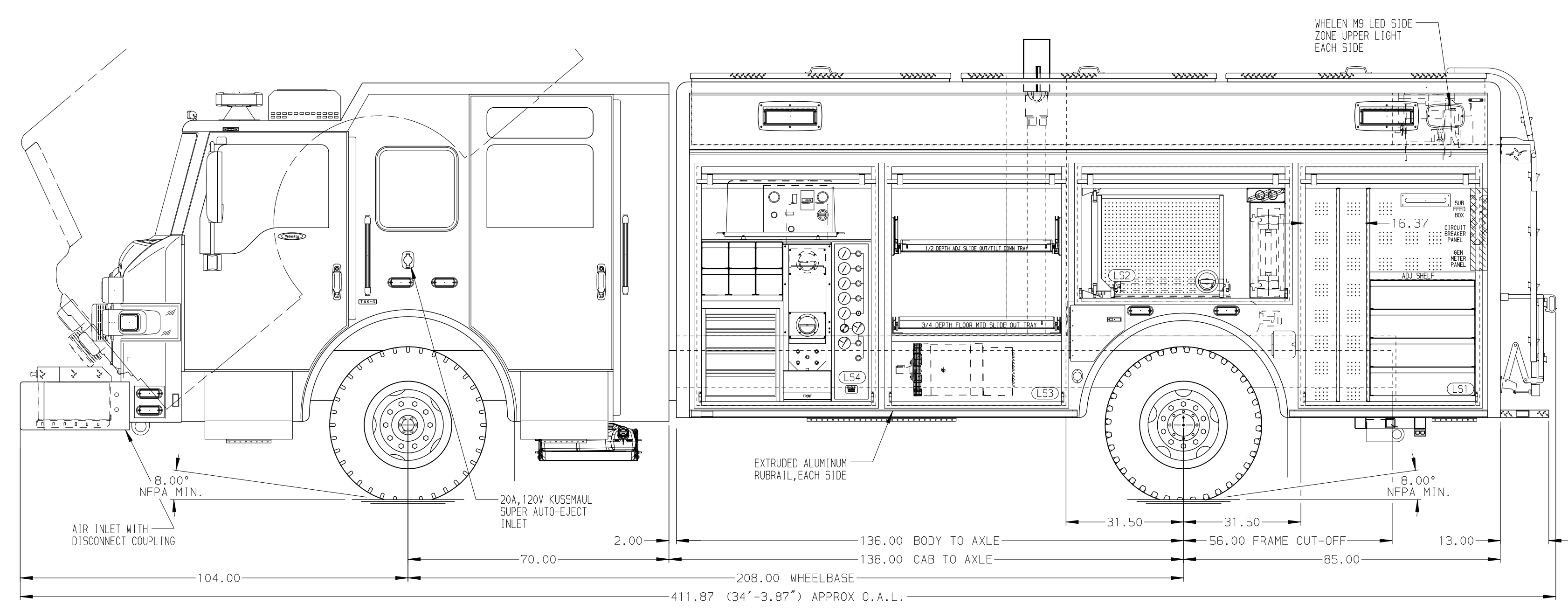
COMPARTMENT RS3 CONTAINS:
 - (1) STD DEPTH FIXED SHELF
 - (2) FLOOR MOUNTED TRAYS W/TOOLBOARDS
 -

COMPARTMENT RS4 CONTAINS:
 - (1) HORIZONTAL FLOOR EXTENSION
 - (1) 3/4 DEPTH ADJ SLIDE OUT/TILT TRAY
 - (1) 3/4 DEPTH FLOOR MTD SLIDE OUT TRAY
 - SLANTED COMPARTMENT FLOOR
 -



REAR COMPARTMENT CONTAINS THE FOLLOWING:

COMPARTMENT B1 CONTAINS:
 - (1) HORIZONTAL FLOOR EXTENSION
 - (1) FLOOR MOUNTED TRAY
 - (2) HYDRAULIC REELS W/100' OF HOSE EACH
 - (1) LOW PRESSURE AIR REEL W/150' OF HOSE
 - (1) 30A, 120V T.L. RECEPTACLE
 - (1) 48" DP FLOOR MTD SLIDE OUT TRAY
 -



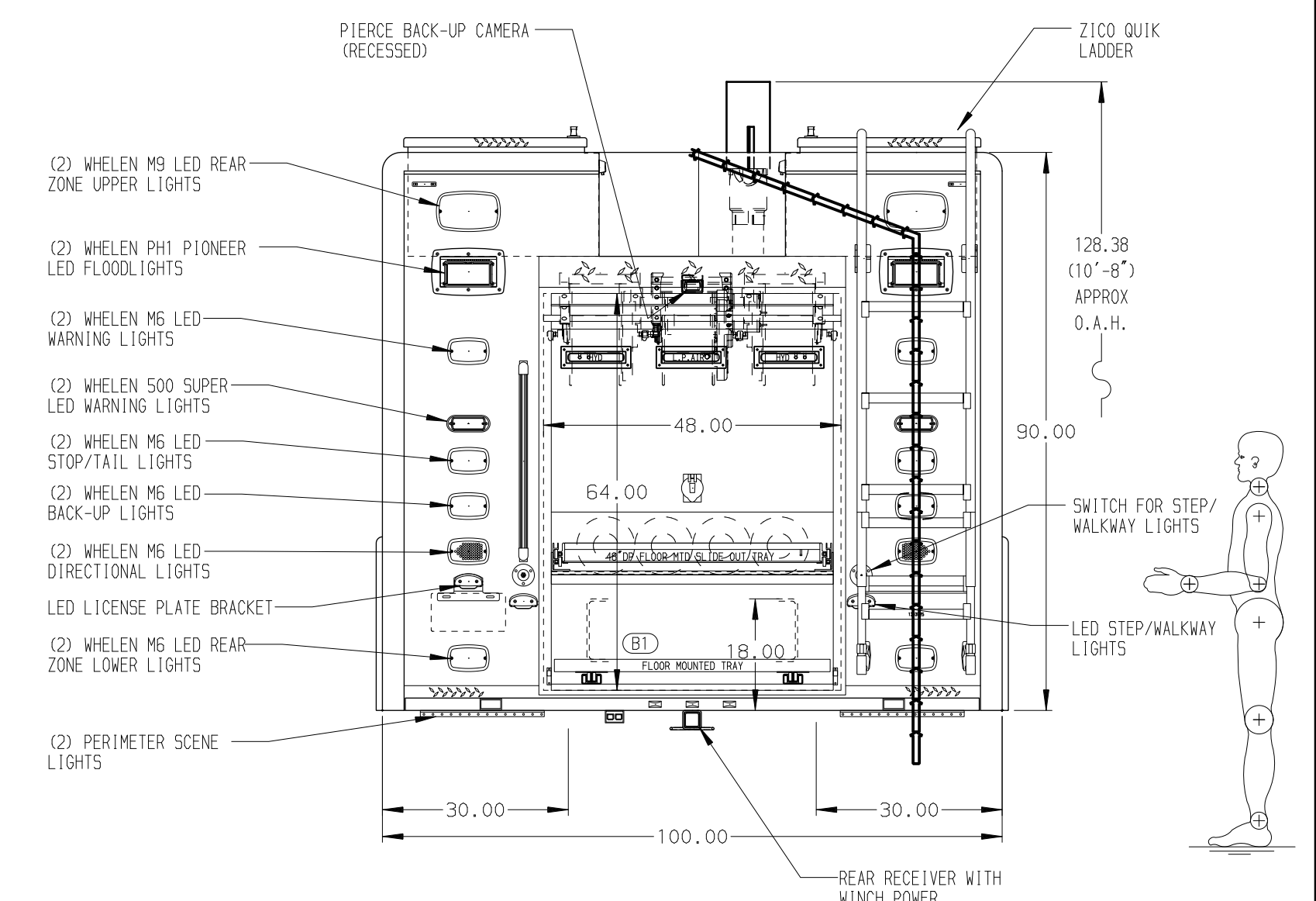
LEFT SIDE COMPARTMENTS CONTAIN THE FOLLOWING:

COMPARTMENT LS1 CONTAINS:
 - (1) SPECIAL DEPTH ADJUSTABLE SHELF
 - (1) RACK FOR 4 TOOL BOXES
 - (1) CIRCUIT BREAKER PANEL
 - (1) GENERATOR METER PANEL
 - (1) SUB FEED BOY
 - (1) VERTICAL COMPARTMENT DIVIDER
 - (1) ADJUSTABLE VERTICAL COMPARTMENT DIVIDER
 - (1) ELECTRIC CORD REEL WITH 200' OF 10/3 YELLOW CORD
 - PEGBOARD ON REAR WALL OF COMPARTMENT

COMPARTMENT LS2 CONTAINS:
 - (1) RACK FOR LITTLE GIANT LADDER
 - (1) RACK FOR 2 PIKE POLES
 - (1) 2-WAY FLOOR MTD SLIDE OUT TRAY
 - (1) SWING OUT TOOLBOARD

COMPARTMENT LS3 CONTAINS:
 - (1) 3/4 DEPTH FLOOR MTD SLIDE OUT TRAY (NOTCHED)
 - (1) 1/2 DEPTH ADJ SLIDE OUT TILT TRAY
 - (1) HORIZONTAL FLOOR EXTENSION

COMPARTMENT LS4 CONTAINS:
 - (1) VERTICAL REAR WALL DIVIDER
 - (1) RACK FOR 6 SCBA BOTTLES
 - (1) 7" SQUARE OPENINGS
 - (1) 4-DRAWER C-TECH CABINET
 - (1) SPACESAVER 2-BOTTLE FILL ENCLOSURE
 - (1) CASCADE SYSTEM CONTROL PANEL
 - (1) L-SHAPED DIVIDER
 - (1) 3/8" FLAT TOP SHELF
 - (1) BREATHING AIR BOOSTER PUMP



NOTE
 DIMENSIONS SHOWN ARE APPROXIMATE AND ARE SUBJECT TO MINOR DEVIATIONS AS MAY OCCUR OR BE NECESSARY IN CONSTRUCTION. MINOR DETAILS NOT SHOWN.

NOTES:

- FLOOR IN CAB AND CREW CAB TO BE PADDED RUBBER
- BATTERY CHARGE INDICATOR LOCATED ON DRIVER'S SEAT WITH BRACKET
- ELECTRIC DOOR LOCK FOR COMPARTMENT RS1
- PIERCE LED LIGHTS IN ALL BODY AND HATCH COMPARTMENTS
- OMNI 15KW SINGLE PHASE PTO DRIVEN GENERATOR LOCATED BETWEEN THE FRAME RAILS
- POLISHED 5/5 SCUFFPLATES ON CAB AND CREW CAB DOOR JAMBS

FRONTAL IMPACT PROTECTION

CLEAR DOOR WIDTH KEY		REV	DATE	BY	CH	CHASSIS DATA
AMOR ROLL UP DOORS:	-2 1/4"	270C22	DHE	AZU		TITLE
CORTITE ROLL UP DOORS:	-2 1/2"	22AUG22	DHE	CDK		HEAVY DUTY RESCUE NON-WALKIN
PIERCE DOUBLE LAP DOORS:	-4 1/4"	12AUG22	DHE	CDK	PIERCE	FOR
PIERCE LIFT-UP LAP DOORS:	-1 1/2"	28JUN22	DHE	CDK		CITY OF LARGO
(EX: 60" F-F - 2 1/4" = 57 3/4" CLEAR)						BID #817
(F-F) = FRAME TO FRAME						DUSTIN BOUWER
						MODEL
						VXFR7010

Pierce MANUFACTURING INC.		JOB NO.	37596
SCALE	1:24	DATE	
DRAWN BY	DHE	CHECKED BY	CDK
		SHEET SIZE	D
		DWG NO.	37596AD
		SHEET NO.	1 OF 1