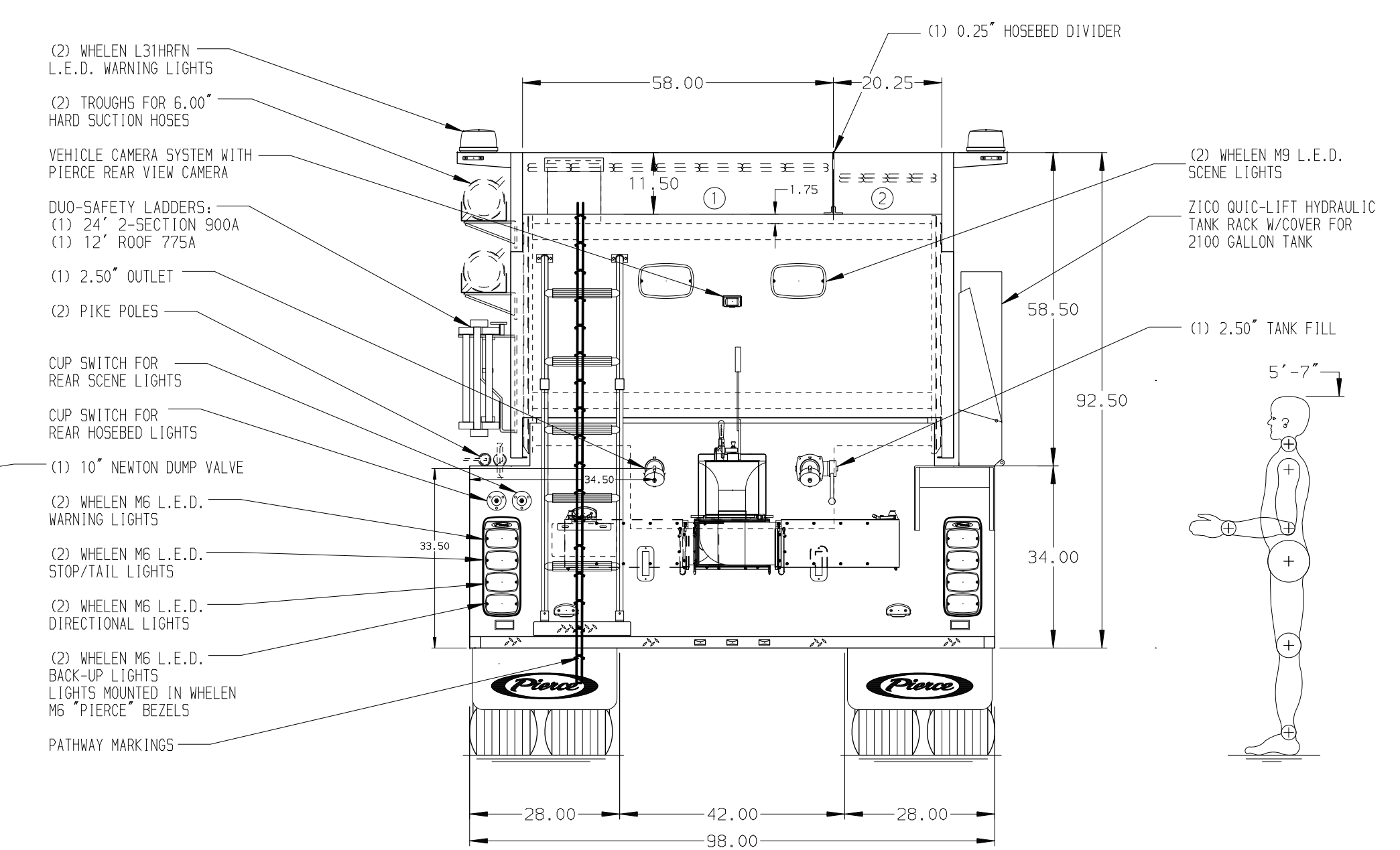
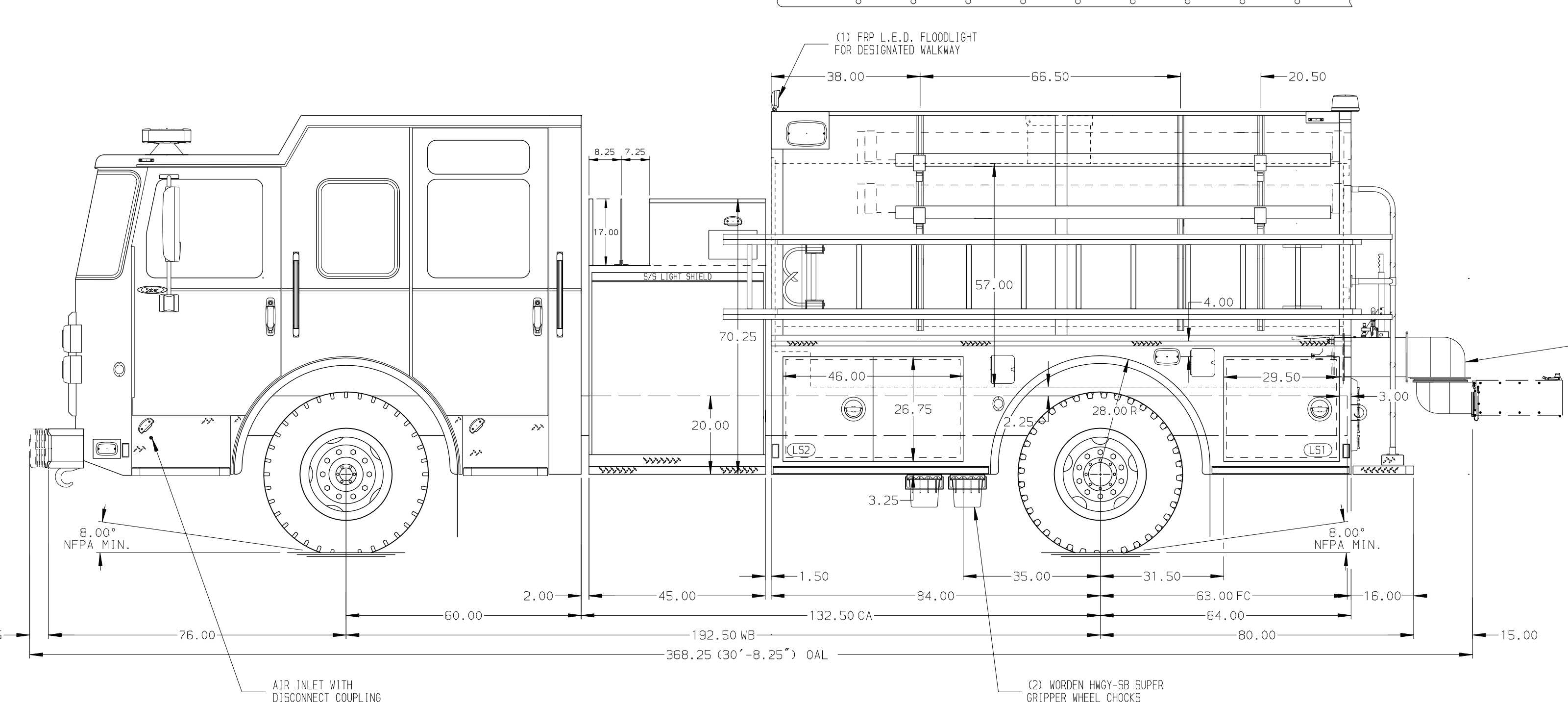


HOSEBED CAPACITIES

① 1000' OF 5.00" D.J. HOSE

② 400' OF 2.50" D.J. HOSE



ALUMINUM BODY

NOTE
DIMENSIONS SHOWN ARE APPROXIMATE
AND ARE SUBJECT TO MINOR DEVIATIONS
AS MAY OCCUR OR BE NECESSARY IN
CONSTRUCTION.
MINOR DETAILS NOT SHOWN.

- BATTERY CHARGER LOCATED IN COMPARTMENT PER SHOP ORDER
- BATTERY CHARGER INDICATOR LOCATED ON DRIVER'S SEAT RISER
- DUAL L.E.D. LIGHT STRIPS LOCATED IN HOSE BED
- SHOULDER RECEPTACLE WITH KUSSMAIL SUPER AUTO-EJECT LOCATED ON DRIVER SIDE PUMP PANEL
- ONE FULL WIDTH/DEPTH ADJUSTABLE SHELF IN COMPARTMENTS PER SHOP ORDER

CHASSIS DATA	TITLE	1250-D-2000 GAL POLY, 148" DRY SIDE
MAKE	FOR	LADDER BRACKETS, (2) X-LAYS, ZICO FOLDING TANK RACK
PIERCE		UPPER BURRELL TOWNSHIP VOL. FIRE CO. NO. 1
MODEL		NEW KENSINGTON, PENNSYLVANIA
REV	DATE	BY
CH		
SABER FR	DWG NO.	37644AD

Pierce MANUFACTURING INC.		JOB NO.	37644
SCALE	1:24	DATE	
DRAWN BY	JUS	CHECKED BY	CDU
	12APR22		14APR22
SHEET SIZE	D	SHEET NO.	1 OF 1