

Pumper, PUC

BODY

Pumper, PUC, Aluminum

CHASSIS

Enforcer Chassis, PUC

CHASSIS AXLE, FRONT, CUSTOM

18,000 Lb Dana Axle

AXLE, REAR

27,000 Lb Dana Axle

ENGINE

400 HP Cummins L9 Engine

TRANSMISSION

Allison 5th Gen, 3000 EVS P

BUMPER

26" Extended Painted Steel

CAB

7010 Enforcer Cab, PUC

BODY

WATER TANK

1000 Gallon Poly Water Tank

COMPT, PUMPER, REAR

40.50" FF RollUp Rear Compt w/Tailboard, PUC

COMPT, PUMPER, LEFT SIDE

189" RollUp Full Height & Depth Front & Rear, PUC

COMPT, PUMPER, RIGHT SIDE

189" RollUp Full Height & Depth Front & Rear, PUC

FIRE SUPPRESSION PUMPHOUSE

Control Zone, PUC

PUMP

1500 GPM Pierce PUC

CROSSLAYS, 1.50"

(1) 1.50", Poly Tray, 200'

CROSSLAYS, 2.50"

2.50" Crosslays Not Required

GENERATOR

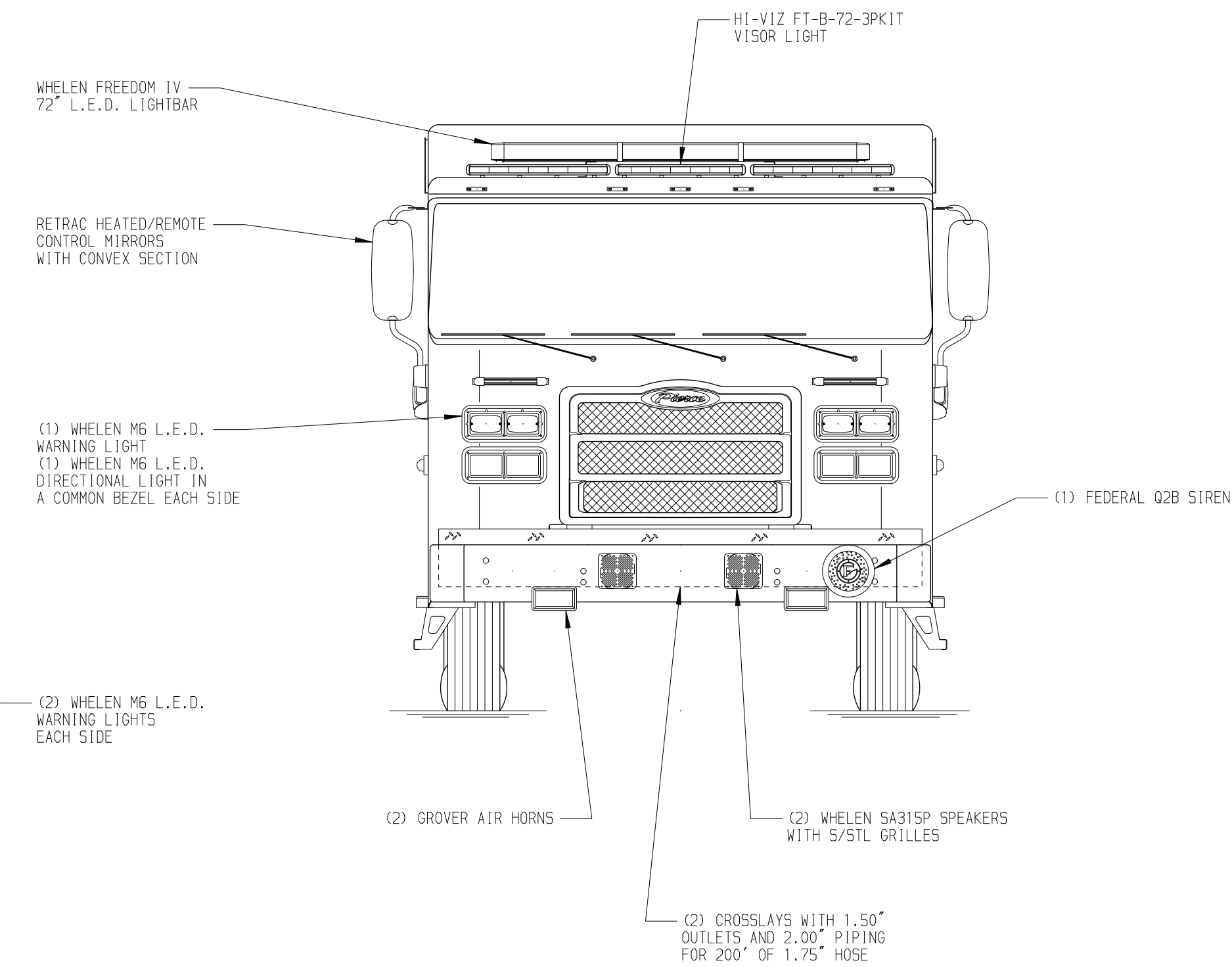
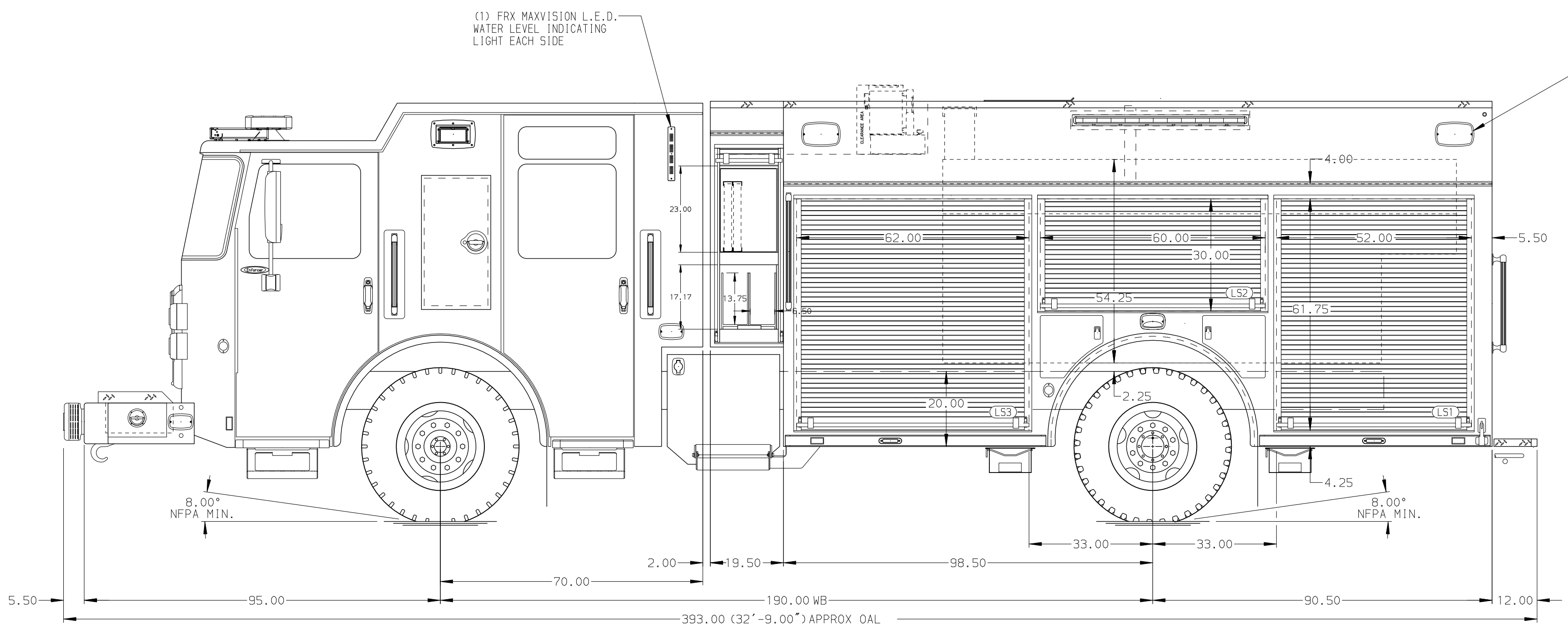
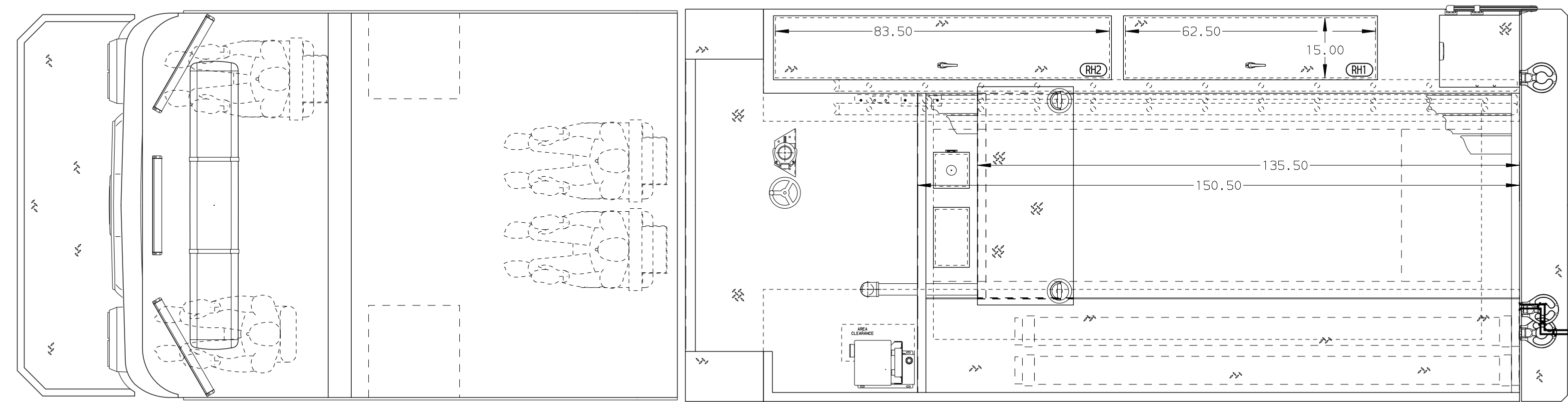
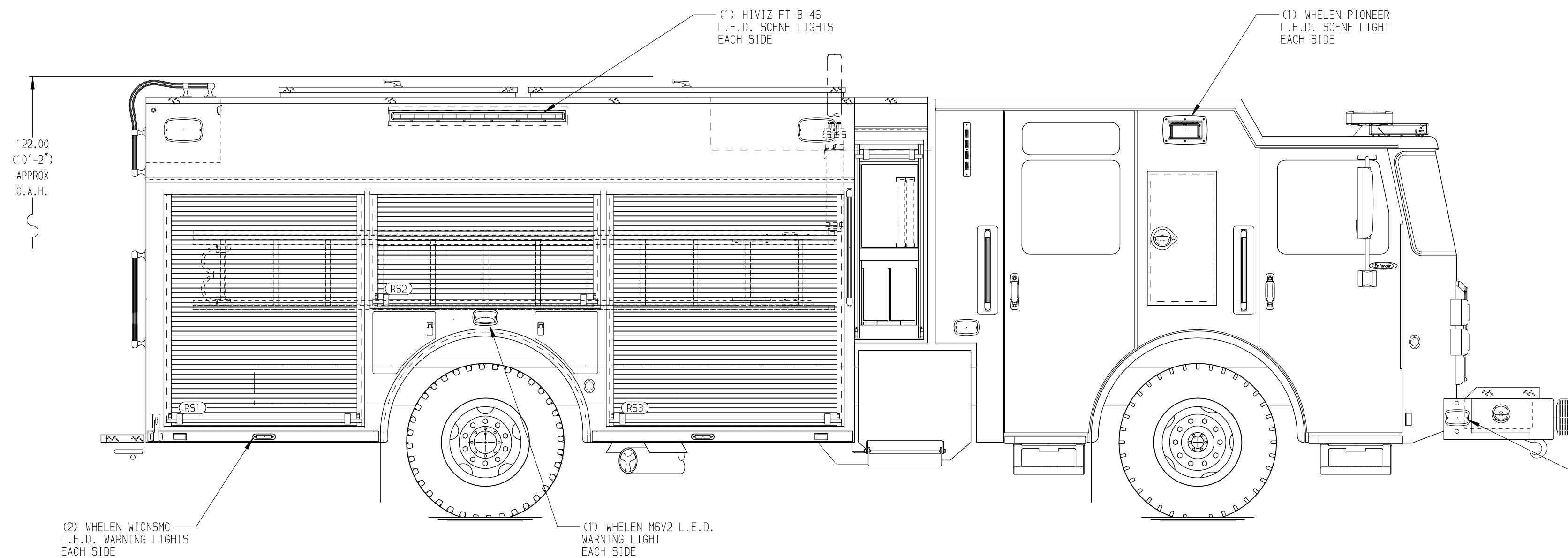
Generator Not Required

Foam System

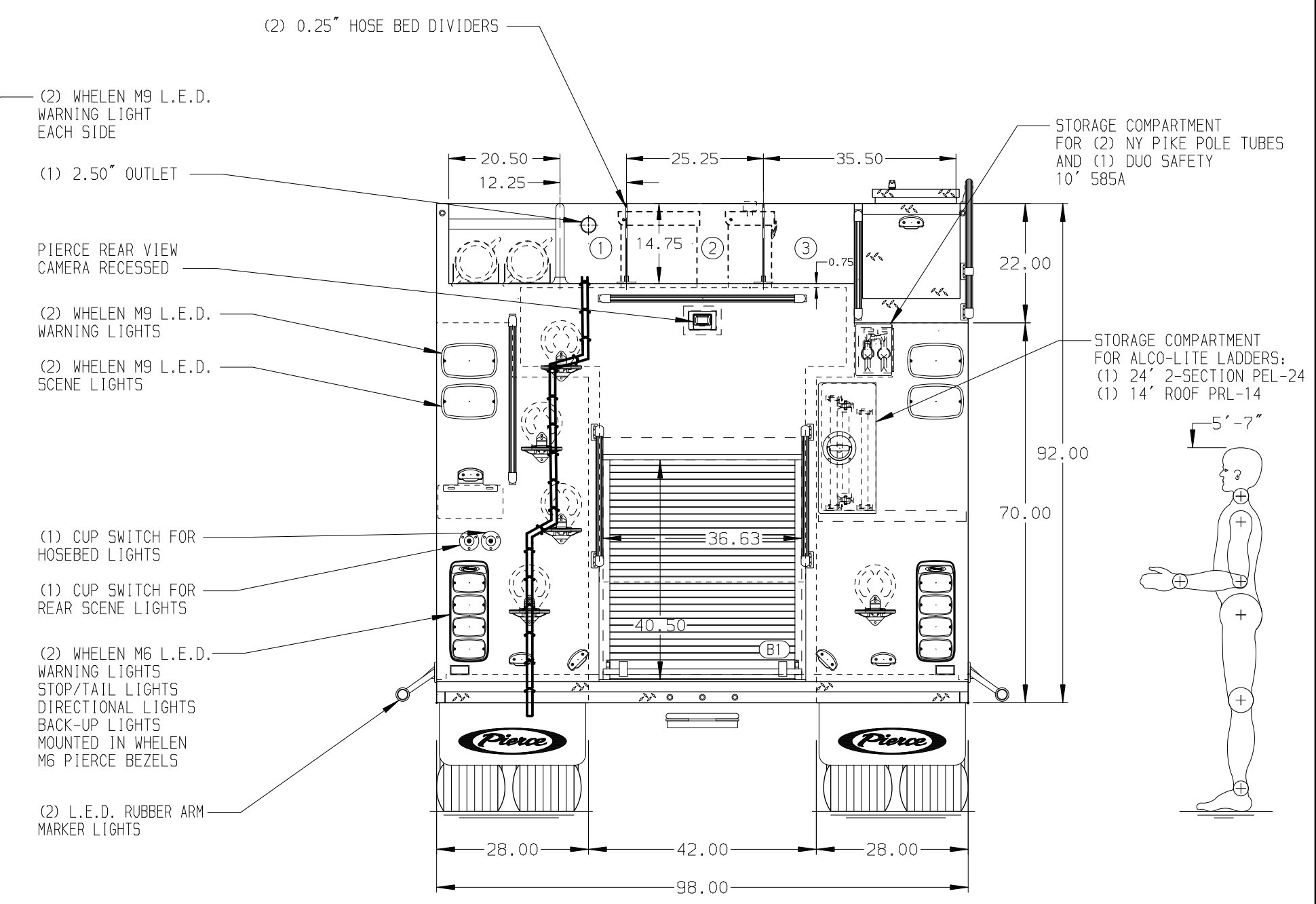
Husky 3 Single Agent Foam System

Foam Cell

20 Gallon Foam Cell, Not Reduced Water, PUC



| HOSEBED CAPACITY | |
|------------------|------------------------------|
| BED 1 | 250' OF 2.50" D.J. POLY HOSE |
| BED 2 | 600' OF 5.00" D.J. POLY HOSE |
| BED 3 | 600' OF 3.00" D.J. POLY HOSE |



NOTE
DIMENSIONS SHOWN ARE APPROXIMATE AND ARE SUBJECT TO MINOR DEVIATIONS AS MAY OCCUR OR BE NECESSARY IN CONSTRUCTION. MINOR DETAILS NOT SHOWN.

1. SHORELINE RECEPTACLE WITH KUSSMALL SUPER AUTO-EJECT LOCATED ON DRIVER SIDE PUMP PANEL
2. AIR INLET WITH DISCONNECT COUPLING IN THE DRIVER SIDE STEPWELL
3. BATTERY CHARGER/INVERTER LOCATED BEHIND DRIVER'S SEAT
4. INVERTER/BATTERY CHARGER LOCATED PER SHOP ORDER

CUSTOMER APPROVAL

APPROVED BY: _____
DATE: _____



JOB NO. 37649
SCALE 1:24
DATE

| REV | DATE | BY | CH | ENFORCER |
|-----|------|----|----|----------|
| - | - | - | - | - |

| TITLE | MAKE | MODEL | DWG NO. |
|------------------------------------|--------|----------|-------------|
| Pierce PUC Pumper Approval Drawing | PIERCE | ENFORCER | 37649AD-SH1 |

| DRAWN BY | CHECKED BY | SHEET SIZE | SHEET NO. |
|----------|------------|------------|-----------|
| MMF | COL | D | 1 OF 2 |