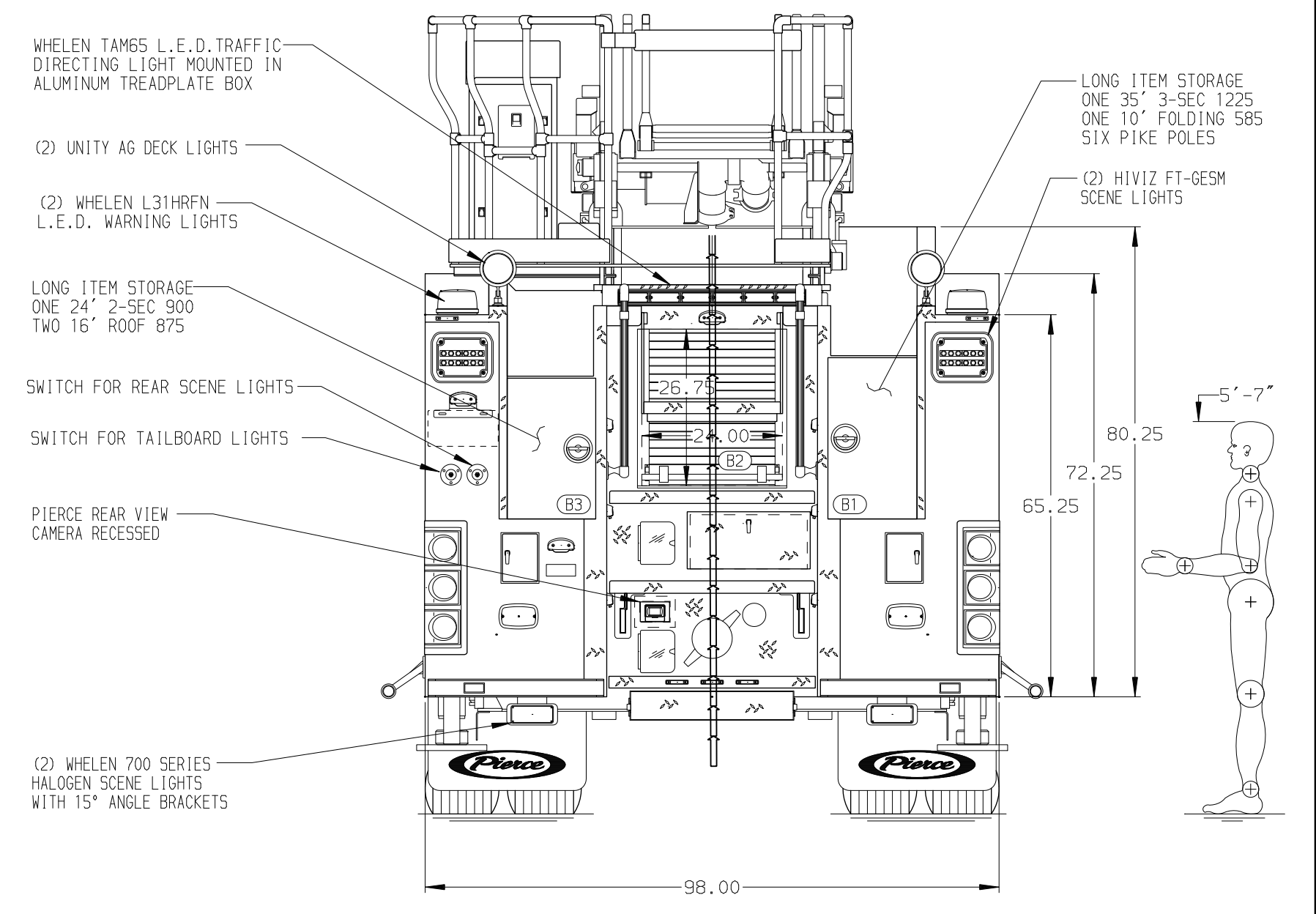


<b>BODY</b> 75' HAL Aluminum Body <b>COMPT, LEFT SIDE FRONT</b> Full Height RollUp Forward <b>COMPT, LEFT SIDE REAR</b> Full Height RollUp Rearward <b>COMPT, RIGHT SIDE FRONT</b> Full Height RollUp Forward <b>COMPT, RIGHT SIDE REAR</b> Full Height RollUp Rearward	<b>WATER TANK</b> 500 Gallon Poly Water Tank <b>Foam System</b> Plumbing for Future Husky Foam System <b>Foam Cell</b> 20 Gallon Foam Cell, Non-Reduced Water
--	--



<b>CHASSIS</b> Enforcer Chassis <b>ENGINE</b> 450 HP Cummins L9 Engine	<b>CAB</b> 7010 Enforcer Cab, Notched BUMPER 19" Extended Painted Steel	<b>AXLE, FRONT, CUSTOM</b> 21,500 Lb Meritor Axle <b>AXLE, REAR</b> 33,500 Lb Meritor Axle	<b>TRANSMISSION</b> Allison 5th Gen, 3000 EV5 P	<b>PUMPHOUSE</b> 45" Control Zone Side Mount PUMP 2000 GPM Waterous CSU	<b>CROSSLAYS, 1.50"</b> (2) 1.50" Standard Capacity <b>CROSSLAYS, 2.50"</b> 2.50" Crosslay Not Required	<b>SPEEDLAYS</b> Speedlays Not Required <b>GENERATOR</b> Generator Not Required	<b>CUSTOMER APPROVAL</b> APPROVED BY: _____ DATE: _____		JOB NO. 37652 SCALE 1:24 DATE DRAWN BY LWE 16MAR22 CHECKED BY JJR 22MAR22 SHEET SIZE D SHEET NO. 1 OF 2
<b>NOTE</b> DIMENSIONS SHOWN ARE APPROXIMATE AND ARE SUBJECT TO MINOR DEVIATIONS AS MAY OCCUR OR BE NECESSARY IN CONSTRUCTION. MINOR DETAILS NOT SHOWN.		1. ONE 1.50 OUTLET WITH 2.00 PIPING AND SWIVEL LOCATED IN CENTER BUMPER TRAY 2. SHORELINE RECEPTACLE WITH KUSSMAUL SUPER AUTO-EJECT LOCATED ON DRIVER SIDE STEP WELL 3. AIR INLET WITH DISCONNECT COUPLING IN THE DRIVER SIDE STEPWELL 4. EXTERNAL FOAM SYSTEM 5. BATTERY CHARGE INDICATOR LOCATED ON DRIVER SIDE SEAT RISER WITH BRACKET 6. TWO 120V RECEPTACLES IN CAB PER SHOP ORDER 7. 1.50" RAISED AERIAL PEDESTAL 8. 1500 GPM HIGH FLOW WATERWAY 9. NO AERIAL LIMITED RETRACTION 10. LIFTING EYE RESCUE ATTACHMENT AT AERIAL TIP							
CHASSIS DATA MAKE PIERCE MODEL ENFORCER		TITLE 75' HAL AERIAL LADDER AND BODY ASSEMBLY FOR POLK COUNTY FIRE RESCUE BARTOW, FL DWG NO. 37652AD-SH1							