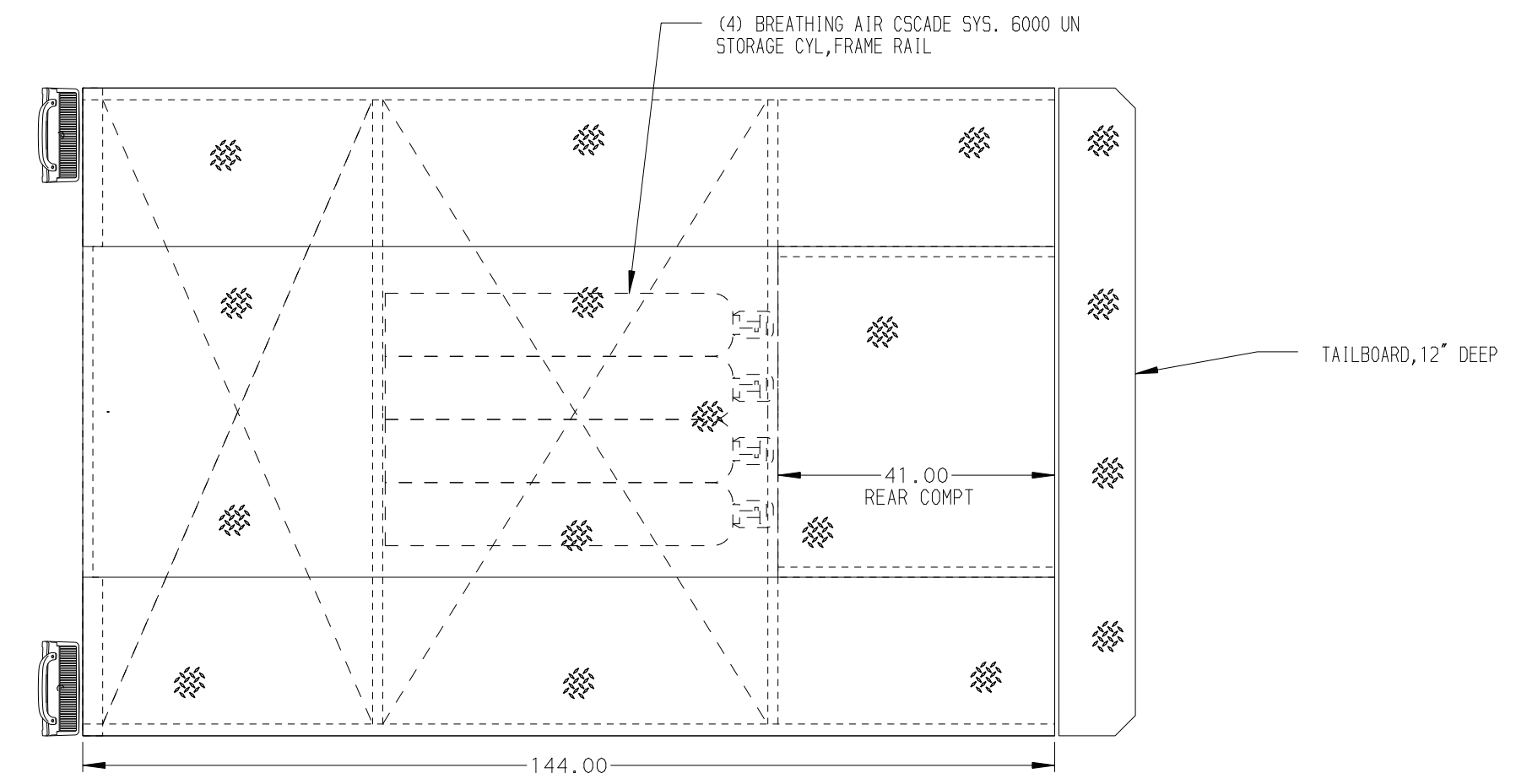
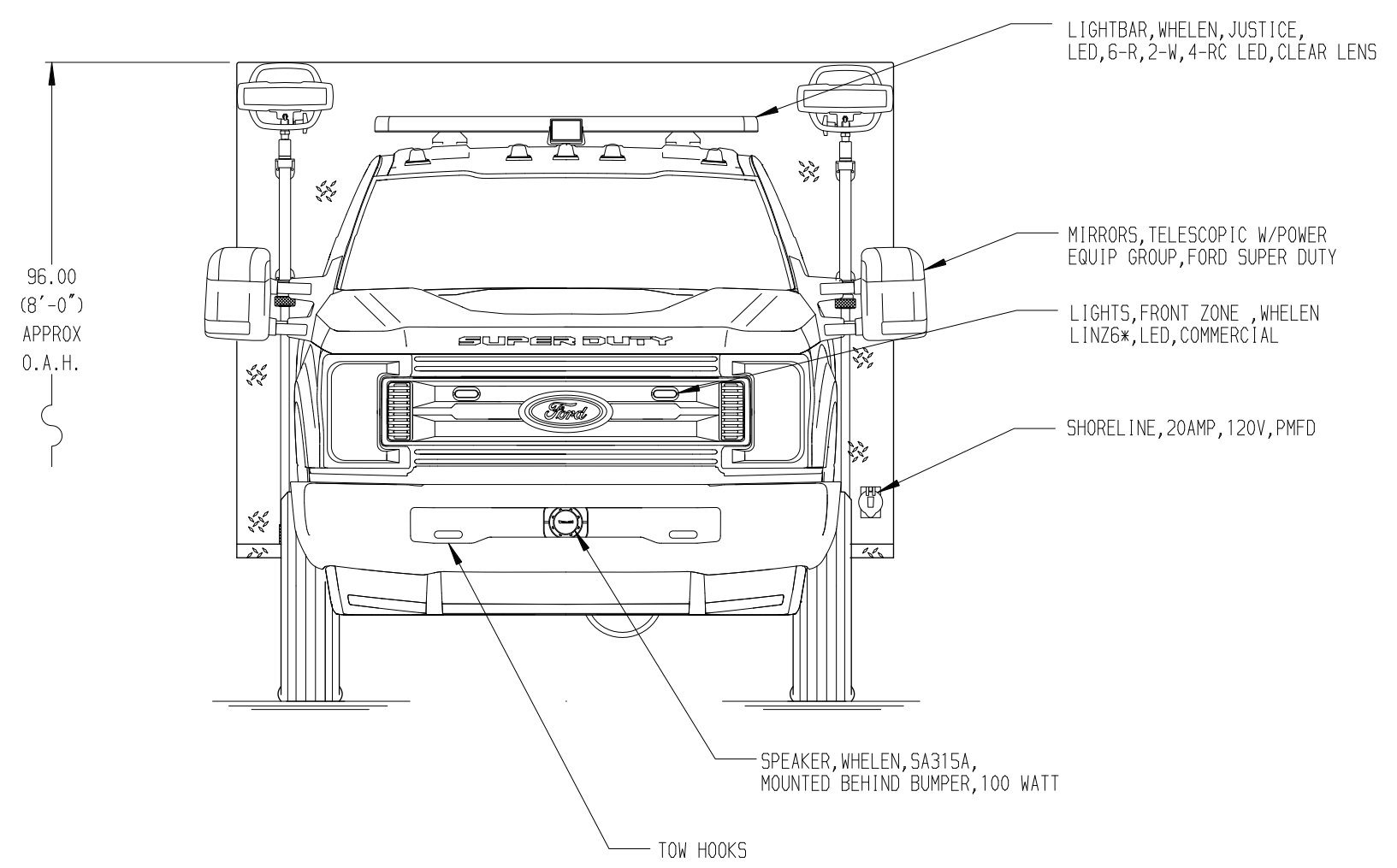
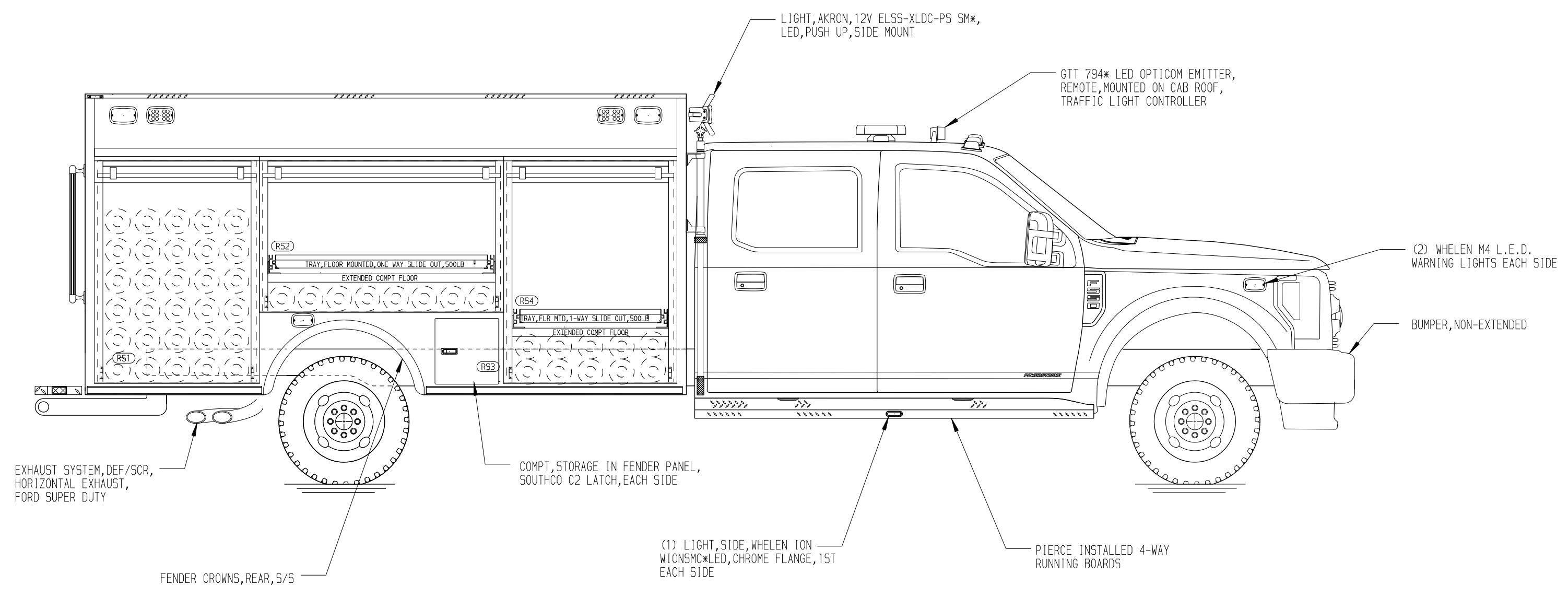


PASSENGER'S SIDE COMPARTMENTS CONTAIN THE FOLLOWING:

COMPARTMENT RS1 CONTAINS:
- (30) RACK, SPARE SCBA BOTTLES

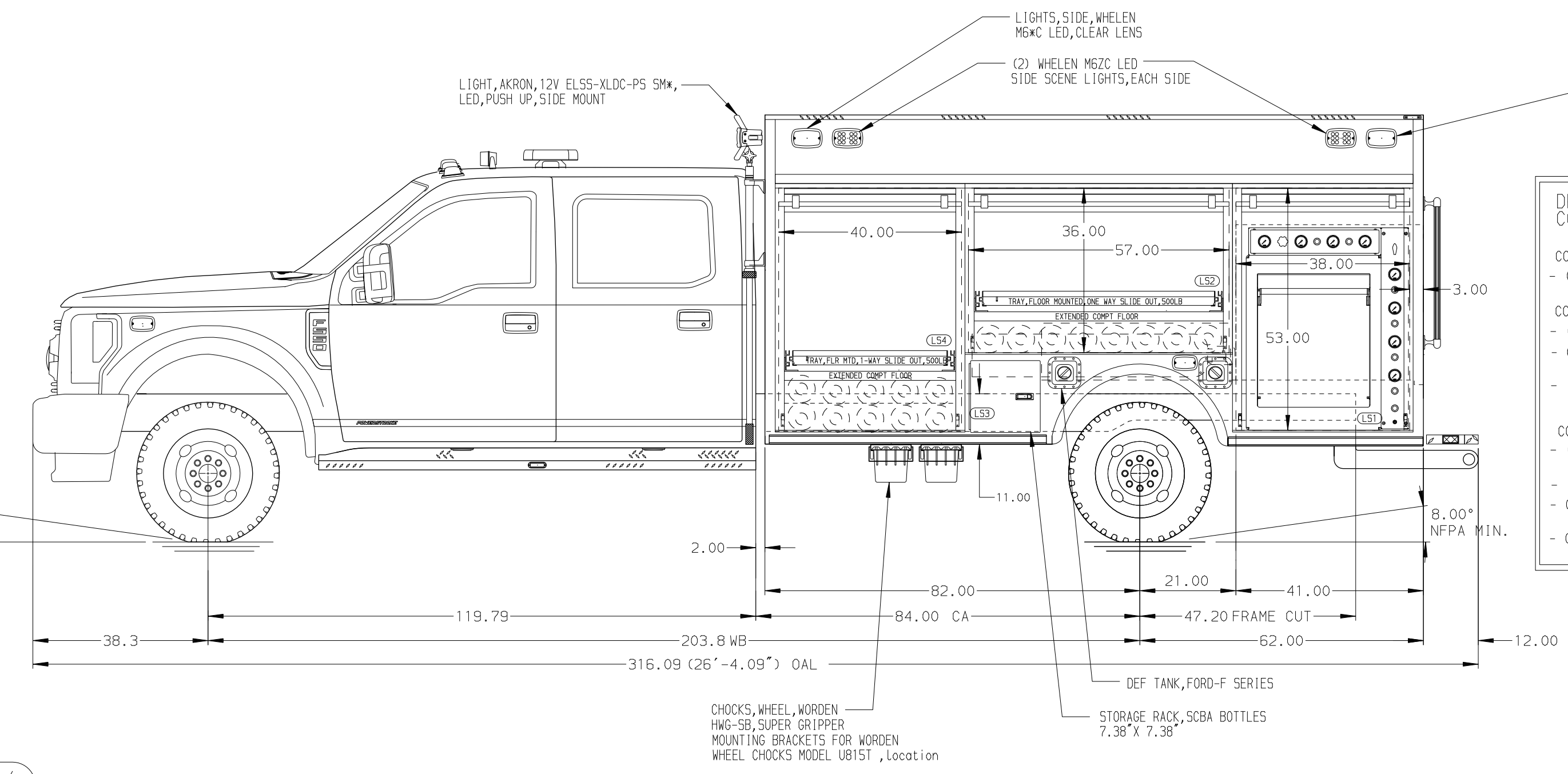
COMPARTMENT RS2 CONTAINS:
- (8) RACK, SPARE SCBA BOTTLES
- (1) EXTENDED COMPARTMENT FLOOR BOLT IN STYLE
- (1) TRAY, FLOOR MOUNTED, UTILITY, ONE WAY SLIDE OUT, 500 LB, 3" SIDES, 1/2 TRANS

COMPARTMENT RS4 CONTAINS:
- (1) TRAY, FLOOR MOUNTED, UTILITY, ONE WAY SLIDE OUT, 500 LB, 3" SIDES, 1/2 TRANS
- (10) RACK, SPARE SCBA BOTTLES, 7.50"
- (1) EXTENDED COMPARTMENT FLOOR BOLT IN STYLE



REAR COMPARTMENT B1 CONTAINS THE FOLLOWING:

COMPARTMENT R1 CONTAINS:
 - (1) TRAY SLIDE OUT, STD DEPTH, FLOOR MOUNTED, 500LB CAPACITY
 - (24) RACK, SPARE SCBA BOTTLE
 - (1) BREATHING AIR CASCADE SYS,
 - (4) HC-6000 DOT

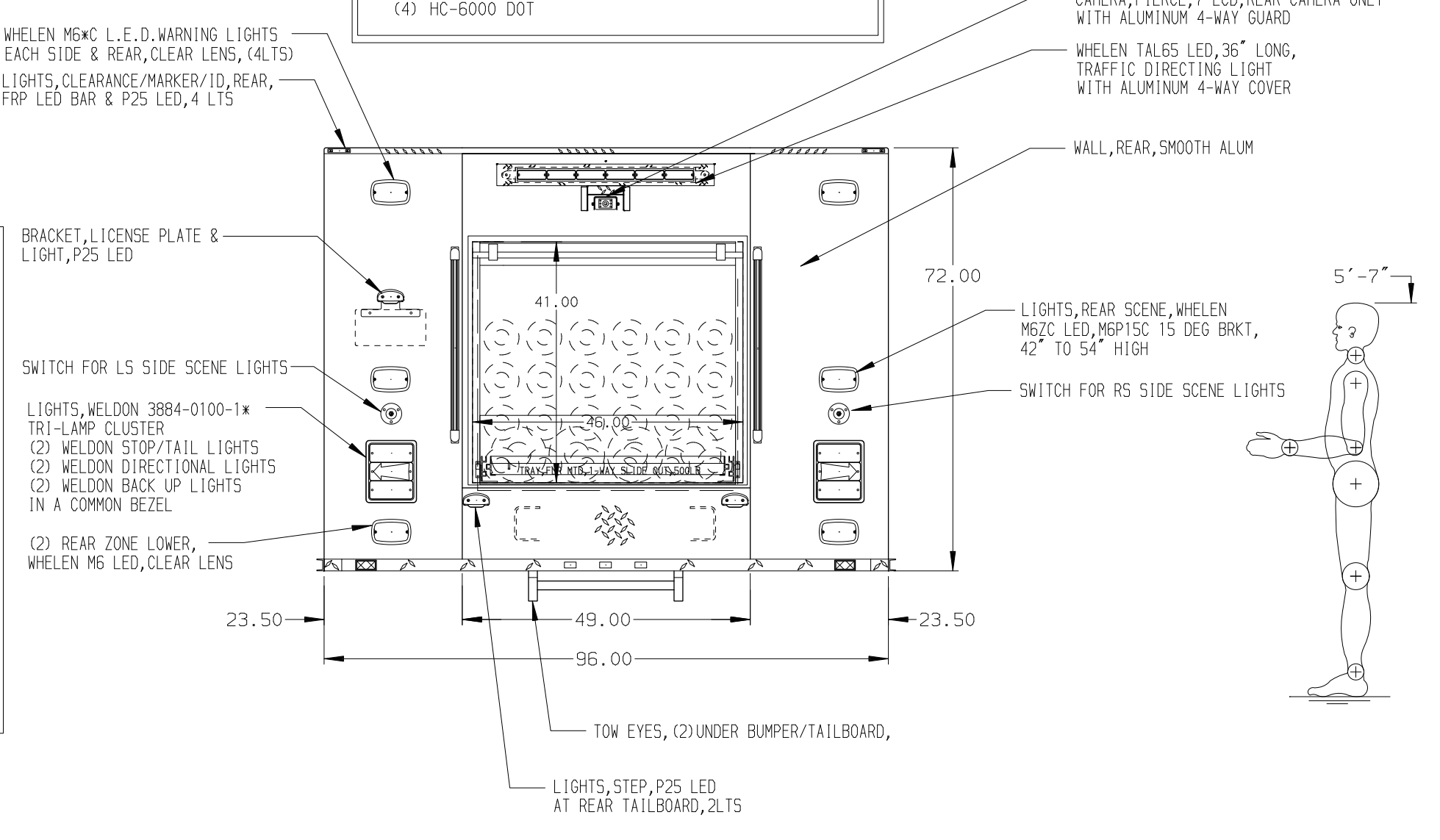


DRIVER'S SIDE COMPARTMENTS CONTAIN THE FOLLOWING:

COMPARTMENT LS1 CONTAINS:
 - (1) FILL ENCLOSURE, 2 BOTTLE, BAUER CFSS-5-2

COMPARTMENT LS2 CONTAINS:
 - (8) RACK SPARE SCBA BOTTLES
 - (1) EXTENDED COMPARTMENT FLOOR BOLT IN STYLE
 - (1) TRAY, FLOOR MOUNTED, UTILITY, ONE WAY SLIDE OUT, 500 LB, 3" SIDES, 1/2 TRANS

COMPARTMENT LS4 CONTAINS:
 - (1) TRAY, FLOOR MOUNTED, UTILITY, ONE WAY SLIDE OUT, 500 LB, 3" SIDES, 1/2 TRANS
 - (1) TRAY FLOOR MOUNTED SLIDE OUT, 500 LB
 - (1) EXTENDED COMPARTMENT FLOOR BOLT IN STYLE
 - (10) RACK, SPARE SCBA BOTTLES



ALUMINUM BODY

NOTE
 DIMENSIONS SHOWN ARE APPROXIMATE AND ARE SUBJECT TO MINOR DEVIATIONS AS MAY OCCUR OR BE NECESSARY IN CONSTRUCTION. MINOR DETAILS NOT SHOWN.

PIERCE MANUFACTURING INC. BRADENTON, FLORIDA		JOB NO.	37712
		DATE	11 JUL 22
TITLE	12' RESCUE, NON-WALK-IN	SCALE	1:24
FOR	INDIANAPOLIS FIRE DEPARTMENT INDIANAPOLIS, INDIANA	DRAWN BY	JLA
DRWG. NO.	F-550 4X4 37712AD	CHK'D BY	RWI
REV.	DATE BY CHK'D	SHEET NO.	1 OF 1
		SHEET SIZE	D