

**PUMPER BODY**

Long Aluminum 2nd Gen Pumper

**CHASSIS**  
Enforcer Chassis

**CHASSIS AXLE, FRONT, CUSTOM**  
19,500 Lb TAK-4 Axle

**AXLE, REAR**  
31,000 Lb Dana Axle

**ENGINE**  
450 HP Cummins L9 Engine

**TRANSMISSION**  
Allison 5th Gen, 3000 EVS P

**BUMPER**  
22" Extended Stainless Steel

**CAB**  
7010 Enforcer Cab

**BODY WATER TANK**  
1500 Gallon Poly Water Tank

**COMPT, PUMPER, LEFT SIDE**  
171" RollUp Full Height Front & Rear FDLR

**COMPT, PUMPER, RIGHT SIDE**  
171" RollUp Full Height Front & Rear FDLR

**FIRE SUPPRESSION PUMPHOUSE**

45" Control Zone Side Mount

**PUMP**

1500 GPM Waterous CSU

**CROSSLAYS, 1.50"**  
(2) 1.50" Standard Capacity

**CROSSLAYS, 2.50"**  
2.50" Crosslay Not Required

**SPEEDLAYS**  
Speedlays Not Required

**GENERATOR**  
Generator Not Required

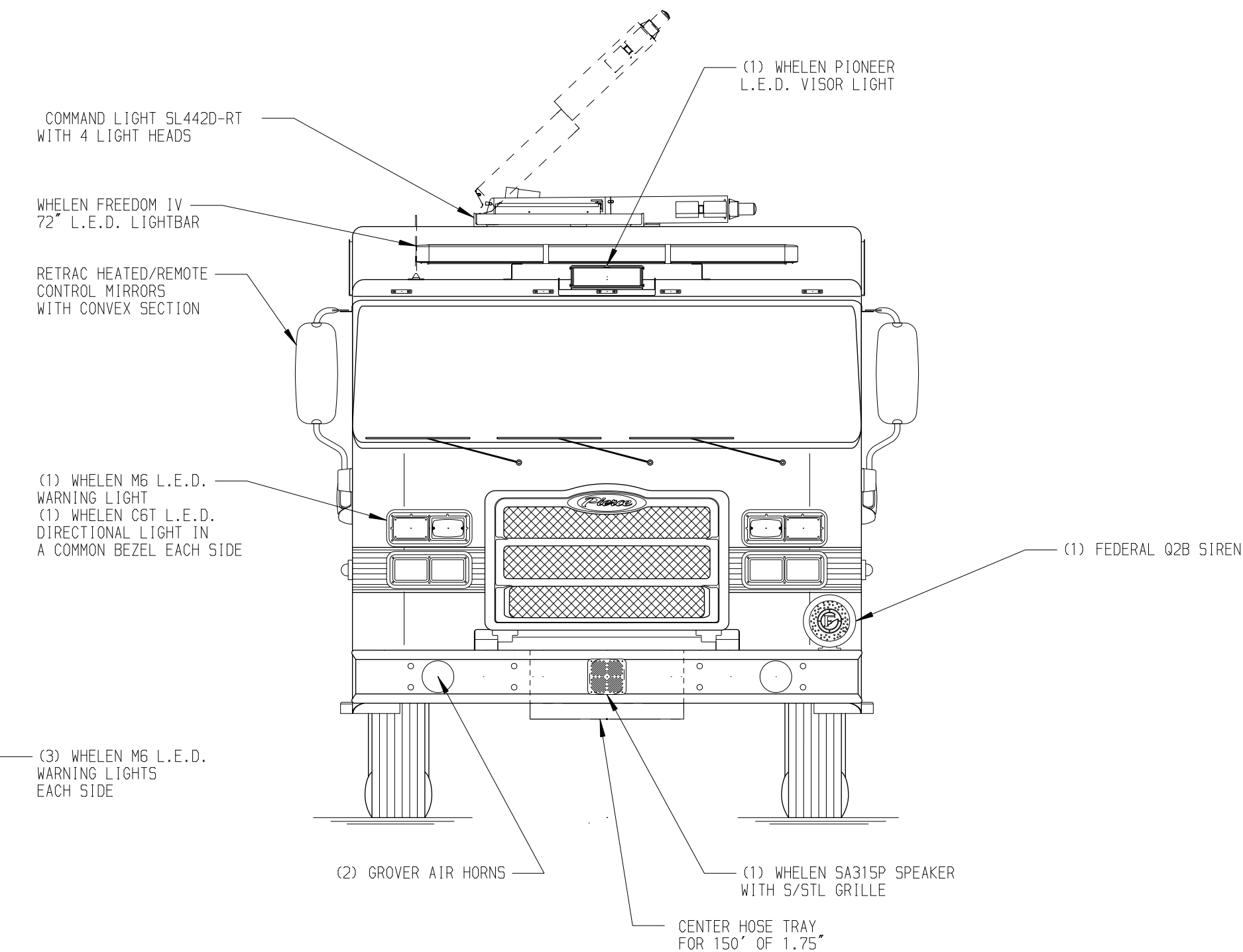
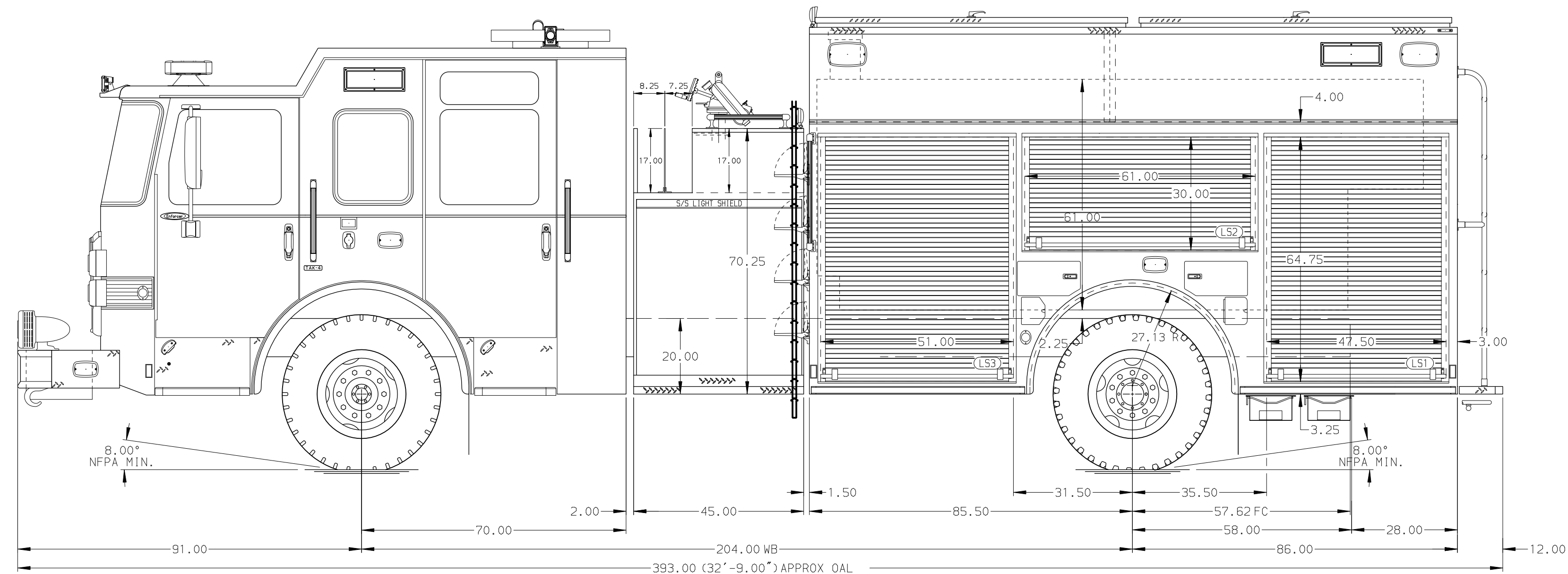
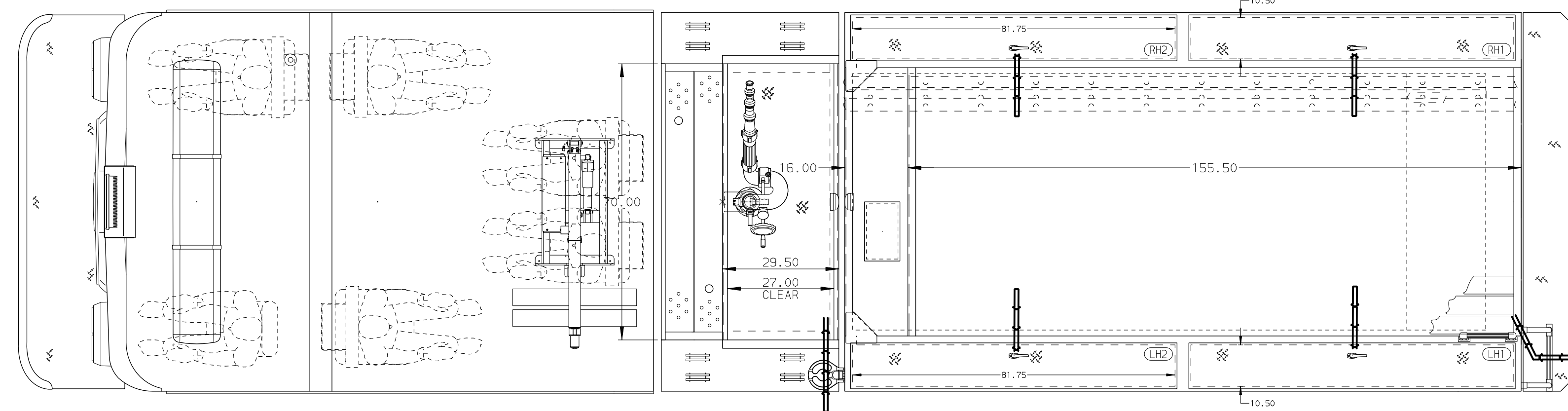
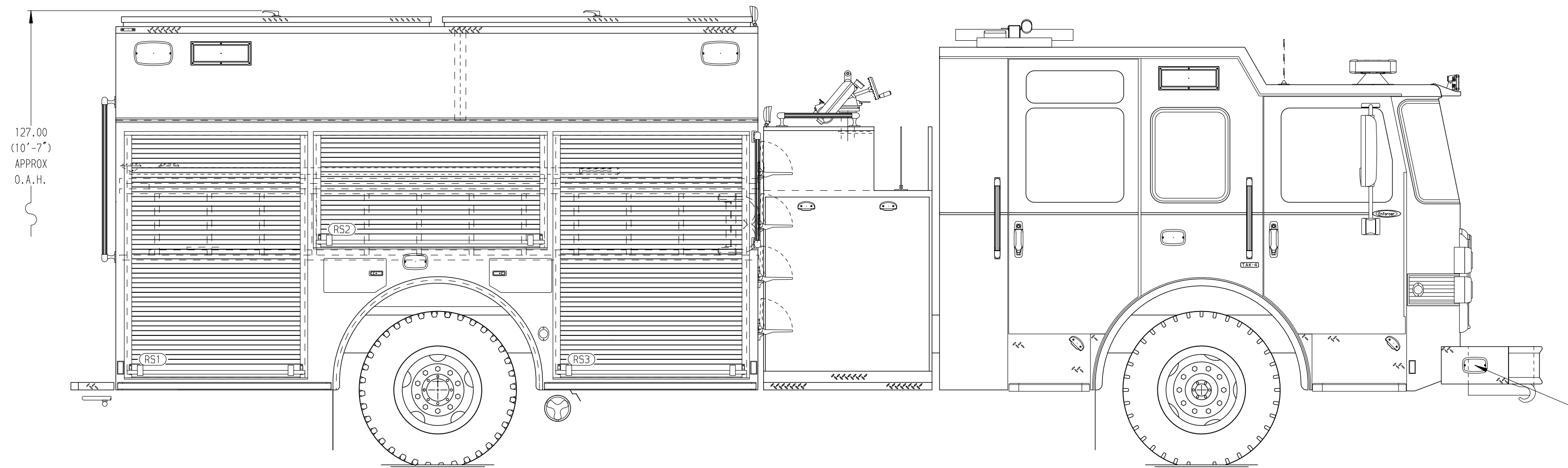
**Foam System**  
Foam System Not Required

**Foam Cell**  
Foam Cell Not Required

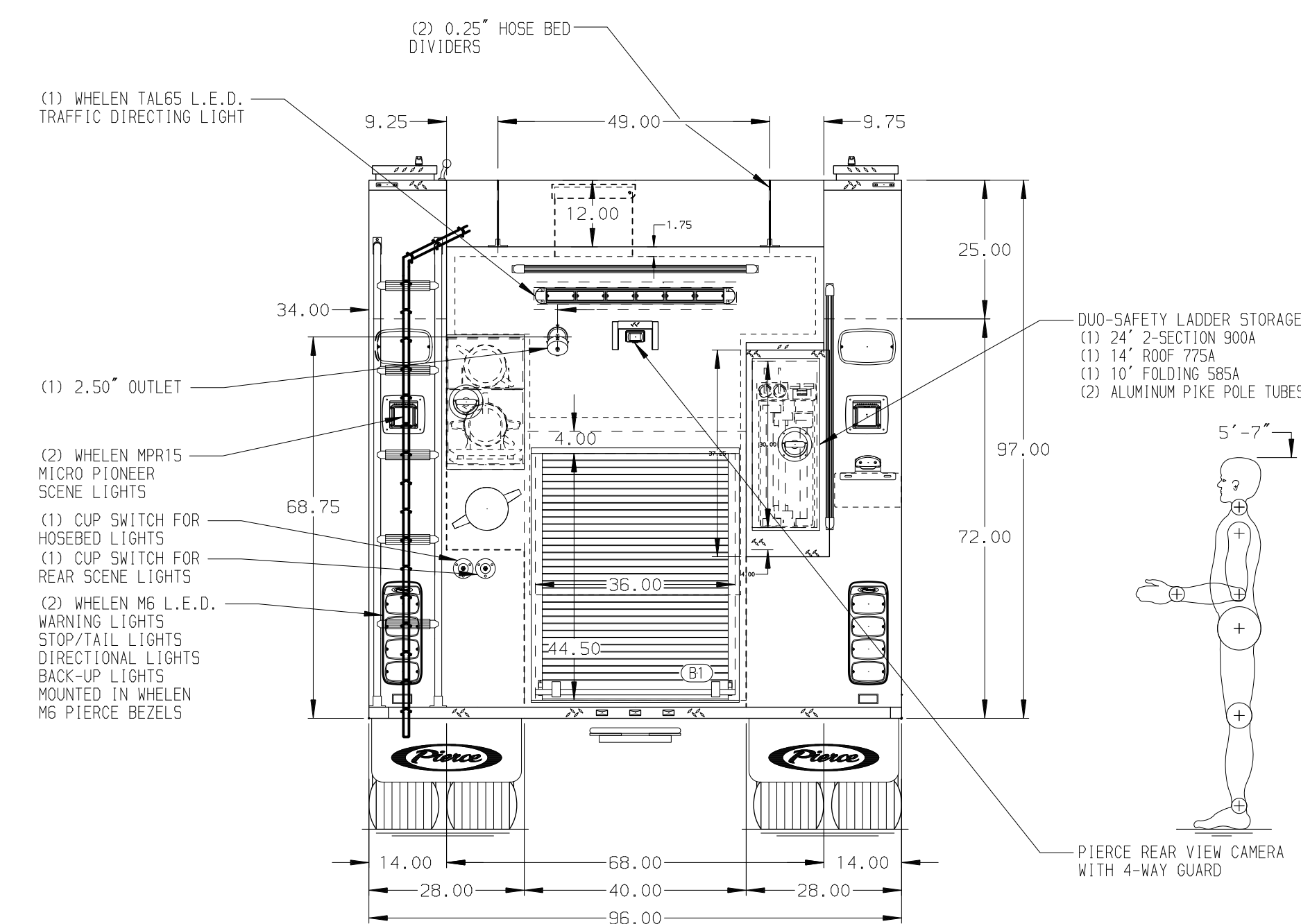
Side Roll and Frontal Impact Protection

**NOTE**  
DIMENSIONS SHOWN ARE APPROXIMATE AND ARE SUBJECT TO MINOR DEVIATIONS AS MAY OCCUR OR BE NECESSARY IN CONSTRUCTION. MINOR DETAILS NOT SHOWN.

- ONE 1.50" OUTLET WITH 2.00" PIPING AND SWIVEL LOCATED IN CENTER BUMPER TRAY
- SHORELINE RECEPTACLE WITH KUSSMAUL SUPER AUTO-EJECT LOCATED ON DRIVER SIDE OF THE CAB
- AIR INLET WITH DISCONNECT COUPLING IN THE DRIVER SIDE STEPWELL
- BATTERY CHARGER LOCATED IN COMPARTMENT PER SHOP ORDER
- BATTERY CHARGE INDICATOR LOCATED ON THE DRIVER SIDE SIDE OF THE CAB
- FOUR ADJUSTABLE SHELVES IN COMPARTMENTS PER SHOP ORDER
- FOUR FLOOR MOUNTED SLIDE-OUT TRAY IN COMPARTMENT PER SHOP ORDER
- ONE SWING-OUT TOOLBOARD IN COMPARTMENT PER SHOP ORDER
- PEGBOARD ON BACK WALL IN COMPARTMENT PER SHOP ORDER



HOSEBED CAPACITY	
<b>BED 1</b>	300' OF 2.50" D.J. POLY HOSE
<b>BED 2</b>	1000' OF 5.00" D.J. POLY HOSE
<b>BED 2</b>	300' OF 2.50" D.J. POLY HOSE



CUSTOMER APPROVAL			
APPROVED BY:			
DATE:			
REV	DATE	BY	CH
-	-	-	-

<b>Pierce MANUFACTURING INC.</b>		JOB NO.	37717
Pierce Pumper Approval Drawing		SCALE	1:24
Lake Mills Fire Department		DATE	
DWG NO.		DRAWN BY	MMF
37717AD		CHECKED BY	COL
		SHEET SIZE	D
		SHEET NO.	1 OF 1