

Pumper, PUC

BODY

Pumper, PUC, Aluminum

CHASSIS

Enforcer Chassis, PUC

CHASSIS AXLE, FRONT, CUSTOM

20,000 Lb Dana Axle

AXLE, REAR

31,000 Lb Dana Axle

ENGINE

450 HP Cummins L9 Engine

TRANSMISSION

Allison 5th Gen, 3000 EVS P

BUMPER

22" Extended Stainless Steel

CAB

7010 Enforcer Cab, PUC

BODY

WATER TANK

750 Gallon Poly Water Tank

COMPT, PUMPER, REAR

33.50" FF RollUp Rear Compt w/Tailboard, PUC

COMPT, PUMPER, LEFT SIDE

189" RollUp Full Height & Depth Front & Rear, PUC

COMPT, PUMPER, RIGHT SIDE

189" RollUp Full Height & Depth Front & Rear, PUC

FIRE SUPPRESSION PUMPHOUSE

Control Zone, PUC

PUMP

1500 GPM Pierce PUC

CROSSLAYS, 1.50"

(2) 1.50", Poly Trays, 200"

CROSSLAYS, 2.50"

(2) 2.50", Poly Tray, 200"

GENERATOR

Generator Not Required

Foam System

External Foam System

Foam Cell

30 Gallon Foam Cell, Not Reduced Water, PUC

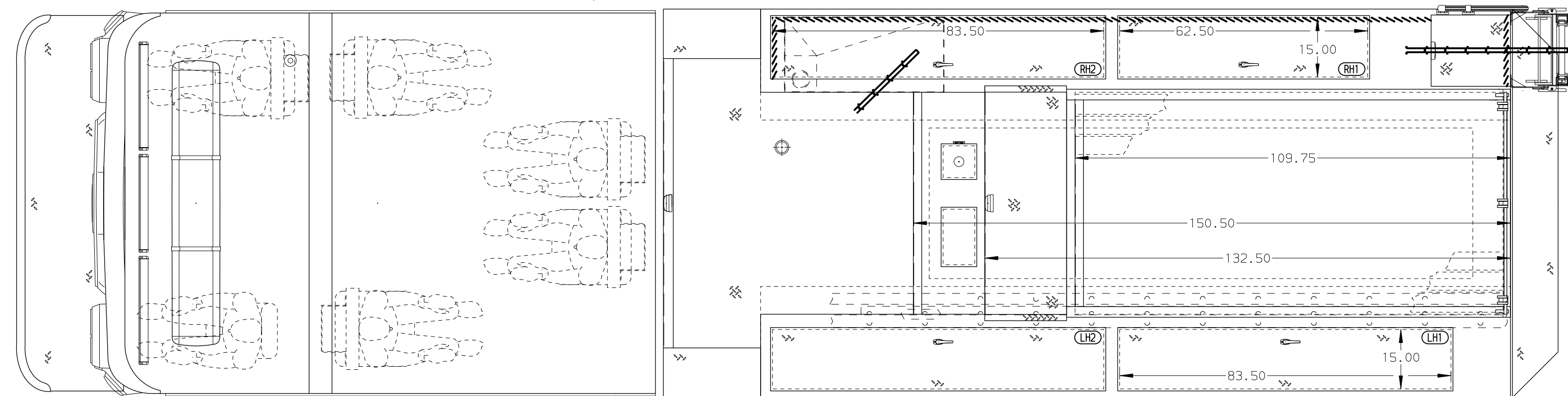
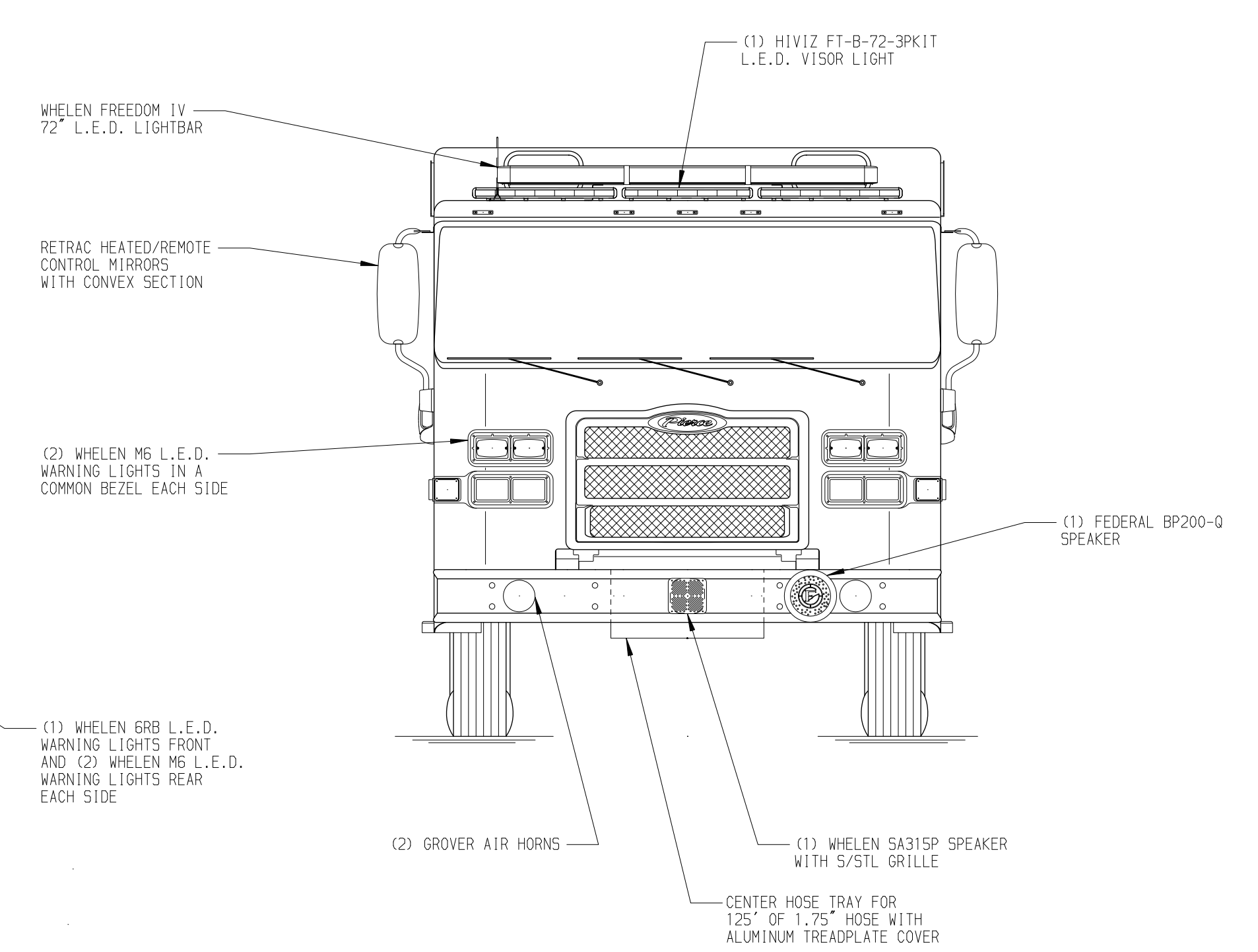
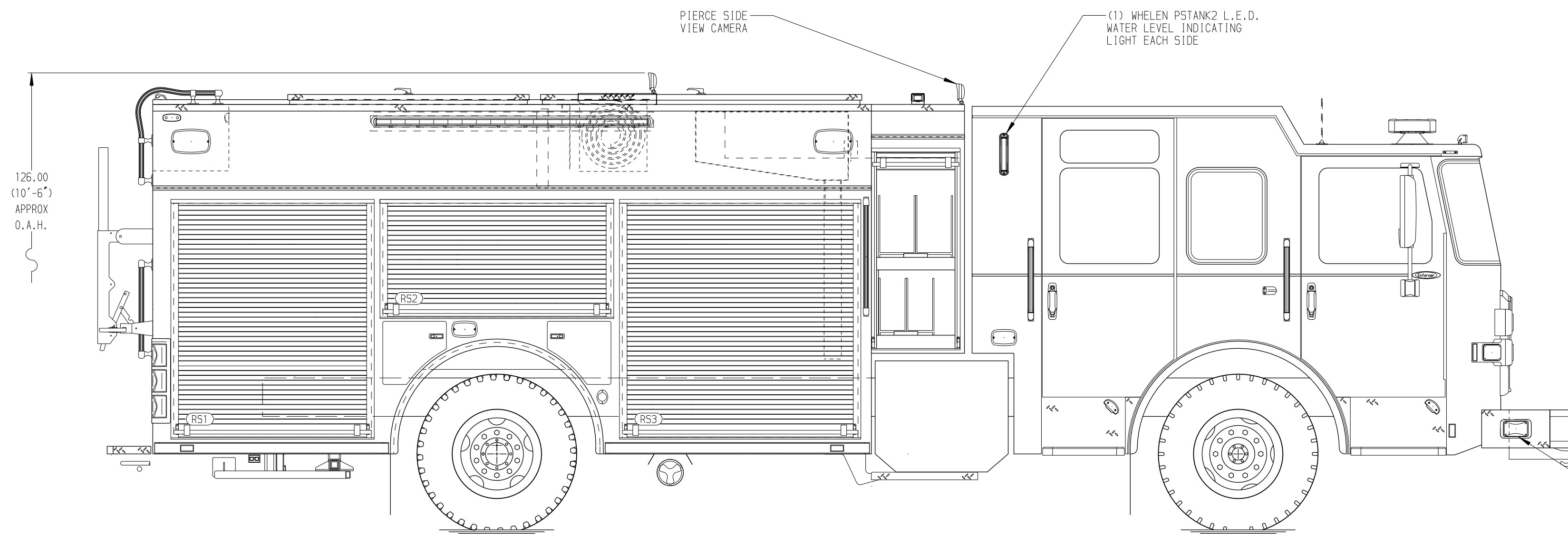
Side Roll and Frontal Impact Protection

NOTE

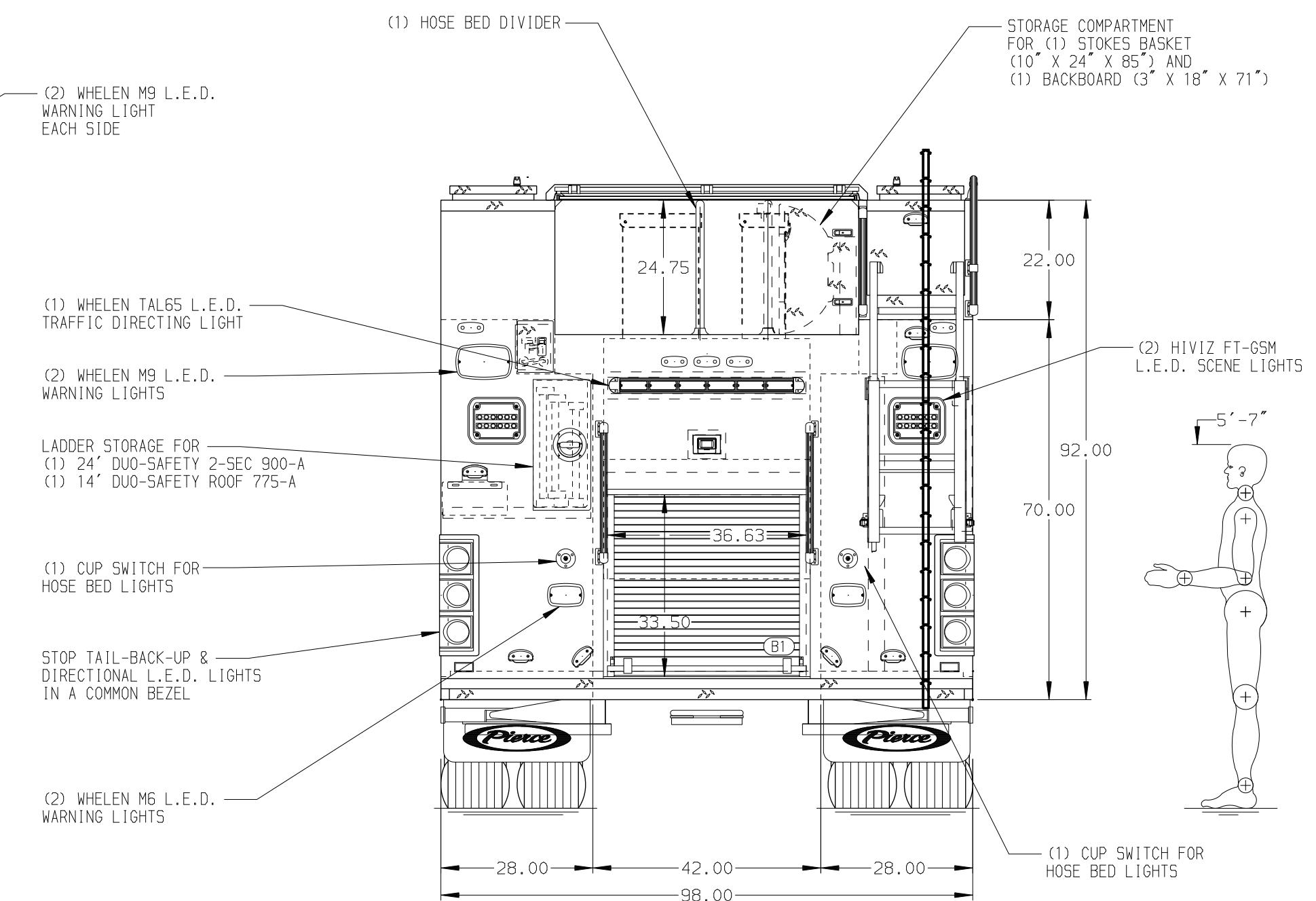
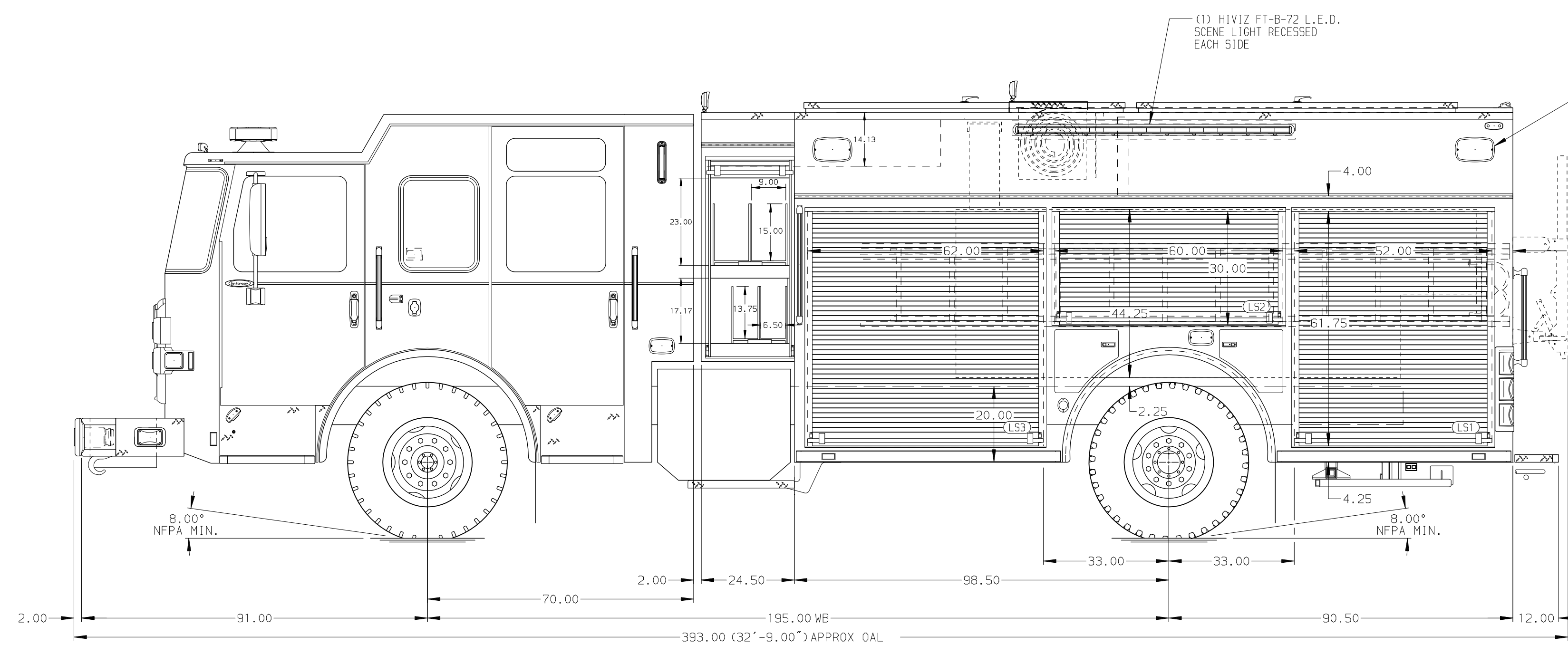
DIMENSIONS SHOWN ARE APPROXIMATE AND ARE SUBJECT TO MINOR DEVIATIONS AS MAY OCCUR OR BE NECESSARY IN CONSTRUCTION. MINOR DETAILS NOT SHOWN.

1. AUTOMATIC TIRE CHAINS
2. ONE 1.50" OUTLET WITH 2.00" PIPING AND SWIVEL LOCATED IN CENTER BUMPER TRAY
3. SHORELINE RECEPTACLE WITH KUSSMAUL SUPER AUTO-EJECT LOCATED ON DRIVER SIDE OF THE CAB
4. AIR INLET WITH DISCONNECT COUPLING IN THE DRIVER SIDE STEPIWELL
5. BATTERY CHARGER LOCATED PER ORDER
6. BATTERY CHARGE INDICATOR DISPLAYED THROUGH DRIVER SIDE WINDOW
7. TEN ADJUSTABLE SHELVES LOCATED PER ORDER
8. THREE FLOOR MOUNTED SLIDE-OUT TRAYS LOCATED PER ORDER
9. AIR OUTLET W/ SHUT OFF VALVE LOCATED ON PASSENGER SIDE PUMP PANEL
10. ONE TILTING/SLIDE-OUT TRAY LOCATED PER ORDER

11. ONE SLIDE-OUT TOOLBOARD LOCATED PER ORDER
12. ONE SWING-OUT TOOLBOARD LOCATED PER ORDER
13. TWO PARTITIONS LOCATED PER ORDER
14. WHELEN HOWLER SPEAKER SYSTEM LOCATED PER ORDER
15. 250LB OIL DRY HOPPER LOCATED PER ORDER



| HOSEBED CAPACITY | |
|------------------|------------------------------|
| BED 1 | 600' OF 5.00" D.J. POLY HOSE |
| BED 2 | 400' OF 3.00" D.J. POLY HOSE |



CUSTOMER APPROVAL

| | |
|--------------|---------|
| APPROVED BY: | |
| DATE: | |
| CHASSIS DATA | TITLE |
| MAKE | Pierce |
| PIERCE | FOR |
| MODEL | DWG NO. |
| ENFORCER | 37731AD |



| | |
|------------|--------|
| JOB NO. | 37731 |
| SCALE | 1:24 |
| DATE | |
| DRAWN BY | COL |
| CHECKED BY | MMF |
| SHEET SIZE | D |
| SHEET NO. | 1 OF 1 |

Pierce Pumper Approval Drawing
Irontdale Fire Department

37731AD