

RIGHT SIDE COMPARTMENTS CONTAIN THE FOLLOWING:

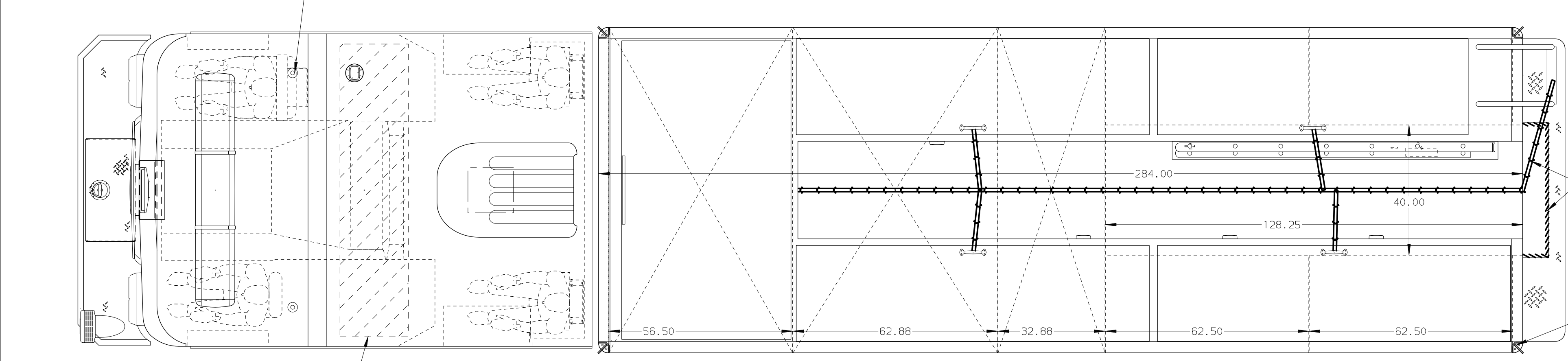
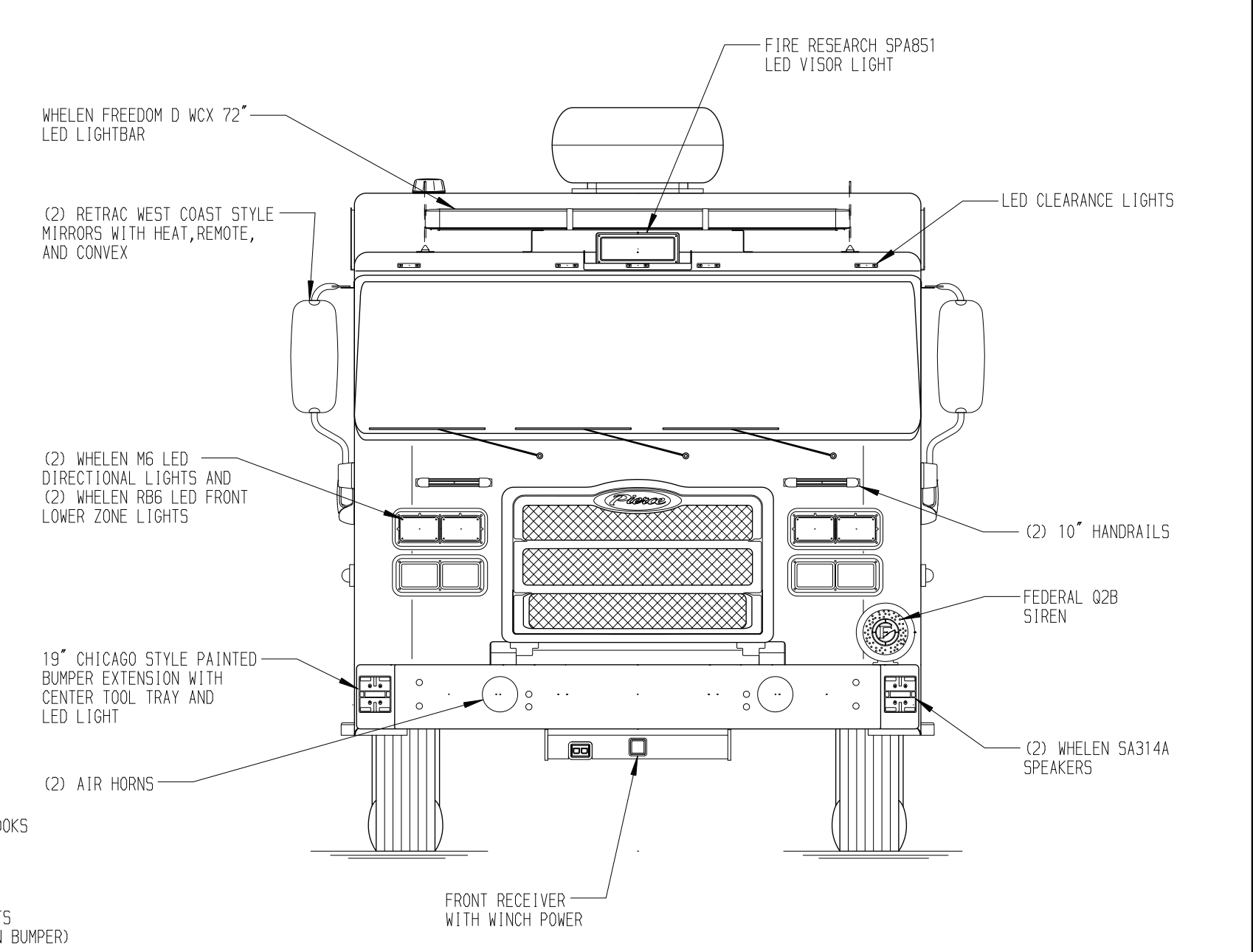
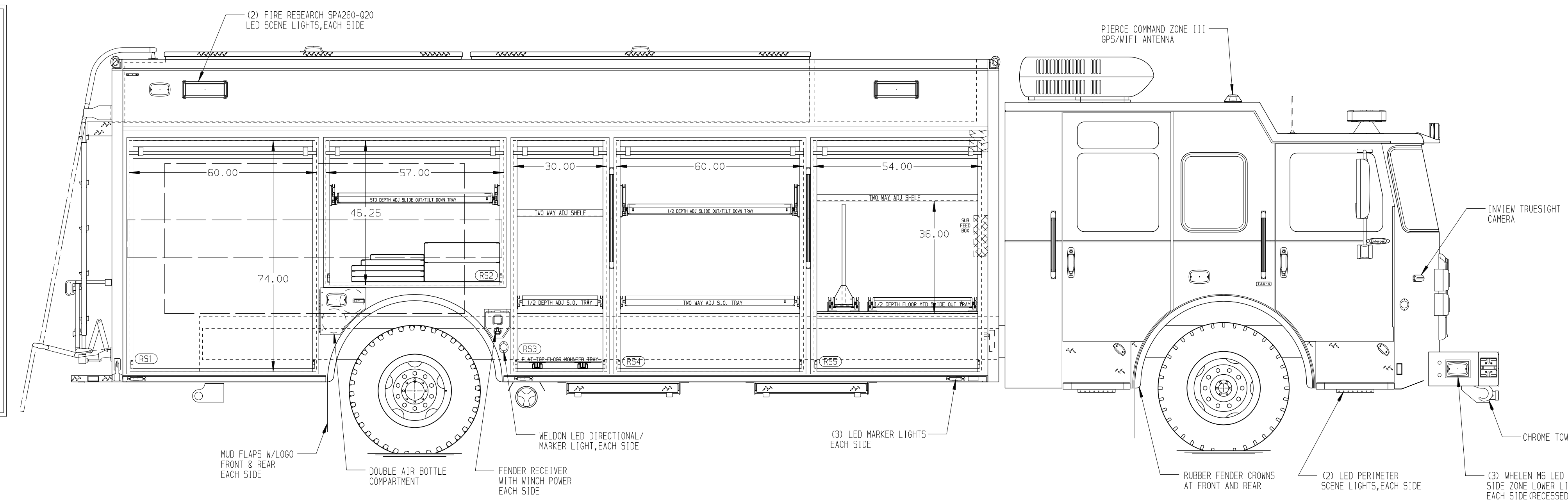
COMPARTMENT RS1 CONTAINS:
 - DA FINISH ALUM. PLATE ON FLOOR
 - (3) 0.50" BLACK POLY MOUNTING BOARDS ON SIDE AND REAR WALLS

COMPARTMENT RS2 CONTAINS:
 - (1) STD DEPTH ADJ SLIDE OUT/TILT TRAY
 - (1) RACK FOR 7 AIR BAGS

COMPARTMENT RS3 CONTAINS:
 - (1) TWO WAY ADJ SHELF
 - (1) 1/2 DEPTH ADJ SLIDE OUT TRAY
 - (1) FLAT TOP FLOOR MOUNTED TRAY

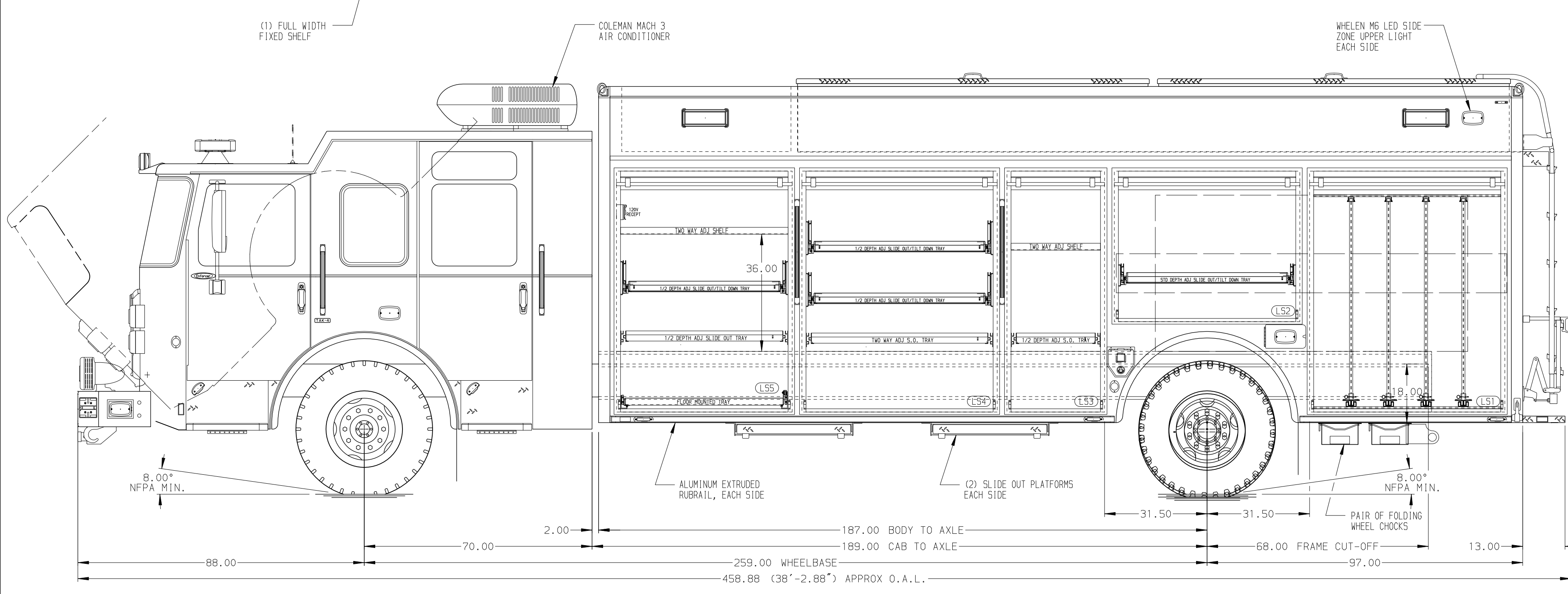
COMPARTMENT RS4 CONTAINS:
 - (1) 1/2 DEPTH ADJ SLIDE OUT/TILT TRAY
 - (1) 2-WAY ADJ SLIDE OUT TRAY

COMPARTMENT RS5 CONTAINS:
 - (1) CAB LIFT CONTROLLER
 - (1) HORIZONTAL FLOOR EXTENSION
 - (1) TWO WAY ADJ SHELF
 - (1) 1/2 DEPTH FLOOR MTD SLIDE OUT TRAY
 - (1) 1/2 DEPTH ADJ SLIDE OUT TOOLBOARD
 - (1) VERTICAL REAR WALL DIVIDER 36" TALL
 - (1) KUSMAUL BATTERY CHARGER/INVERTER
 - (1) SUB FEED BOX
 - (1) BRAKE SYSTEM AIR COMPRESSOR



REAR COMPARTMENT CONTAINS THE FOLLOWING:

COMPARTMENT B1 CONTAINS:
 - (1) HORIZONTAL FLOOR EXTENSION
 - (1) PLYWOOD/FIN FORM BOARD RACK
 - (1) RACK FOR HALF SHEETS OF PLYWOOD
 - (8) SLOTS FOR WALTERS 10" DEEP
 - (5) STORAGE TUBES FOR STRUTS
 - (1) FLOOR MOUNTED TRAY WITH SIDE SLIDES
 - (1) INLET/OUTLET WITH DISCONNECT FITTING
 - (1) MOUNTING BRACKETS FOR PORTABLE WINCH



LEFT SIDE COMPARTMENTS CONTAIN THE FOLLOWING:

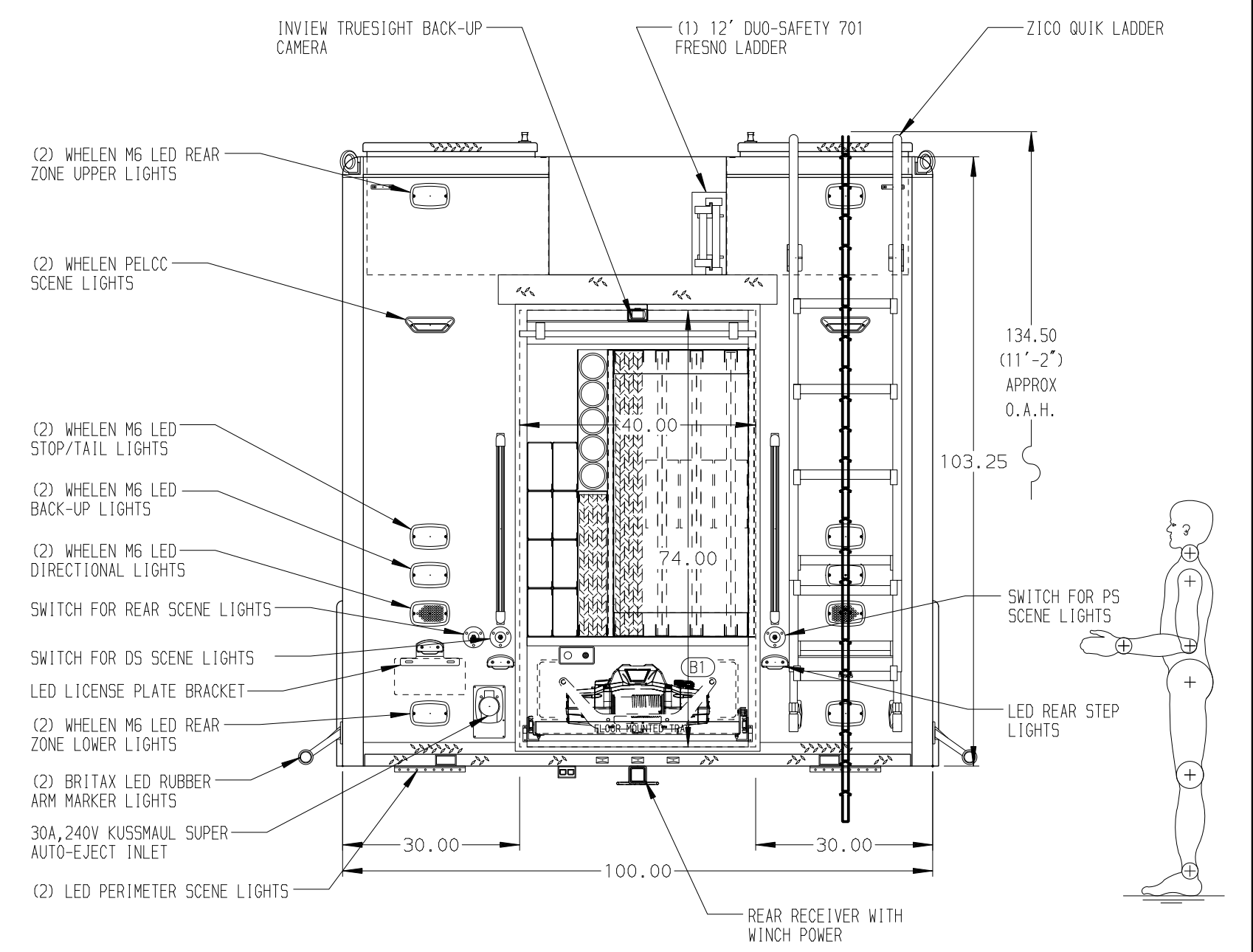
COMPARTMENT LS1 CONTAINS:
 - (4) STD DEPTH ADJ SLIDE OUT TOOLBOARDS

COMPARTMENT LS2 CONTAINS:
 - (1) STD DEPTH ADJ SLIDE OUT/TILT TRAYS

COMPARTMENT LS3 CONTAINS:
 - (1) TWO WAY ADJ SHELF
 - (1) 1/2 DEPTH ADJ SLIDE OUT TRAY

COMPARTMENT LS4 CONTAINS:
 - (2) 1/2 DEPTH ADJ SLIDE OUT/TILT TRAY
 - (1) TWO WAY ADJ SLIDE OUT TRAY

COMPARTMENT LS5 CONTAINS:
 - (1) 15/20A, 120V DUPLEX RECEPTACLE
 - (1) VERTICAL REAR WALL DIVIDER 36" TALL
 - (1) TWO WAY ADJ SHELF
 - (1) 1/2 DEPTH ADJ SLIDE OUT/TILT TRAY
 - (1) 1/2 DEPTH ADJ SLIDE OUT TRAY
 - (1) FLOOR MOUNTED TRAY WITH SIDE SLIDES



NOTE
 DIMENSIONS SHOWN ARE APPROXIMATE AND ARE SUBJECT TO MINOR DEVIATIONS AS MAY OCCUR OR BE NECESSARY IN CONSTRUCTION. MINOR DETAILS NOT SHOWN.

NOTES:

- ONSPOT AUTOMATIC TIRE CHAINS
- WARN #9,000 PORTABLE RECEIVER STYLE WINCH
- FLOOR IN CAB AND CREW CAB TO BE PADDED RUBBER
- BATTERY CHARGE INDICATOR LOCATED ON DRIVER'S SEAT RISER
- PIERCE LED LIGHTS IN ALL BODY COMPARTMENTS
- PULL STRAPS ON ALL BODY ROLL UP DOORS

CLEAR DOOR WIDTH KEY		CHASSIS DATA	MAKE	MODEL
AMOR ROLL UP DOORS:	-2 1/4"	18JAN23	DHE	AZU
CORTILE ROLL UP DOORS:	-2 1/2"	17NOV22	DHE	AZU
PIERCE DOUBLE LIP DOORS:	-4 1/4"	08AUG22	DHE	AZU
PIERCE LIFT-UP LAP DOORS:	-1 1/2"			
(EX: 60" F-F - 2 1/4" = 57 3/4" CLEAR) (F-F) = FRAME TO FRAME		REV	DATE	BY CH

		JOB NO.	37748
		SCALE	DATE
TITLE	HEAVY DUTY RESCUE NON-WALKIN	DRAWN BY	DHE 13JUL22
FOR	WICHITA FALLS FIRE DEPARTMENT, TX BID #839	CHECKED BY	AZU 18JUL22
DWG NO.	37748AD	SHEET SIZE	SHEET NO.
			D 1 of 1