

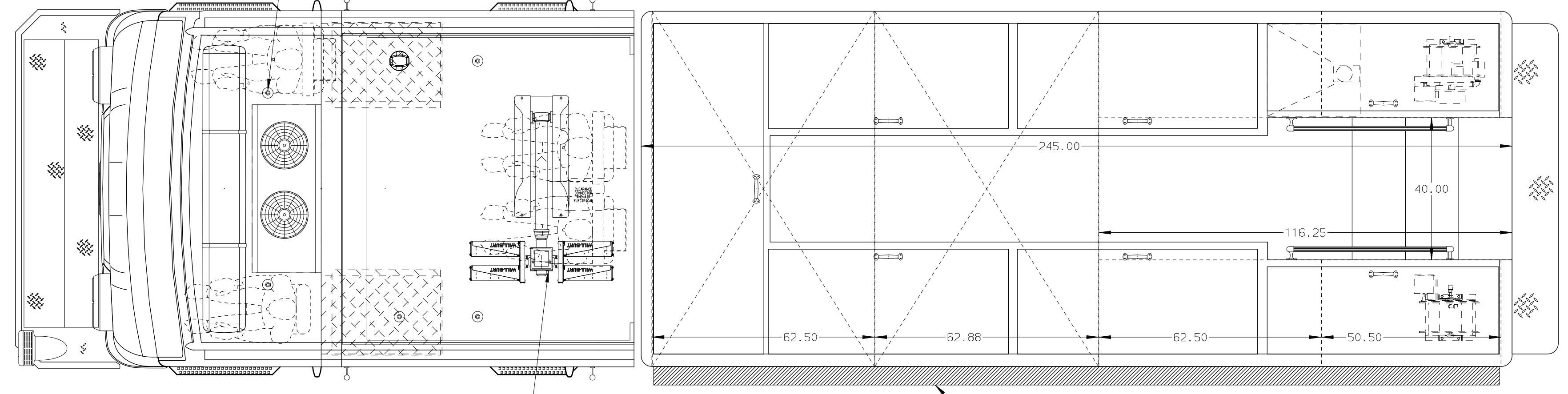
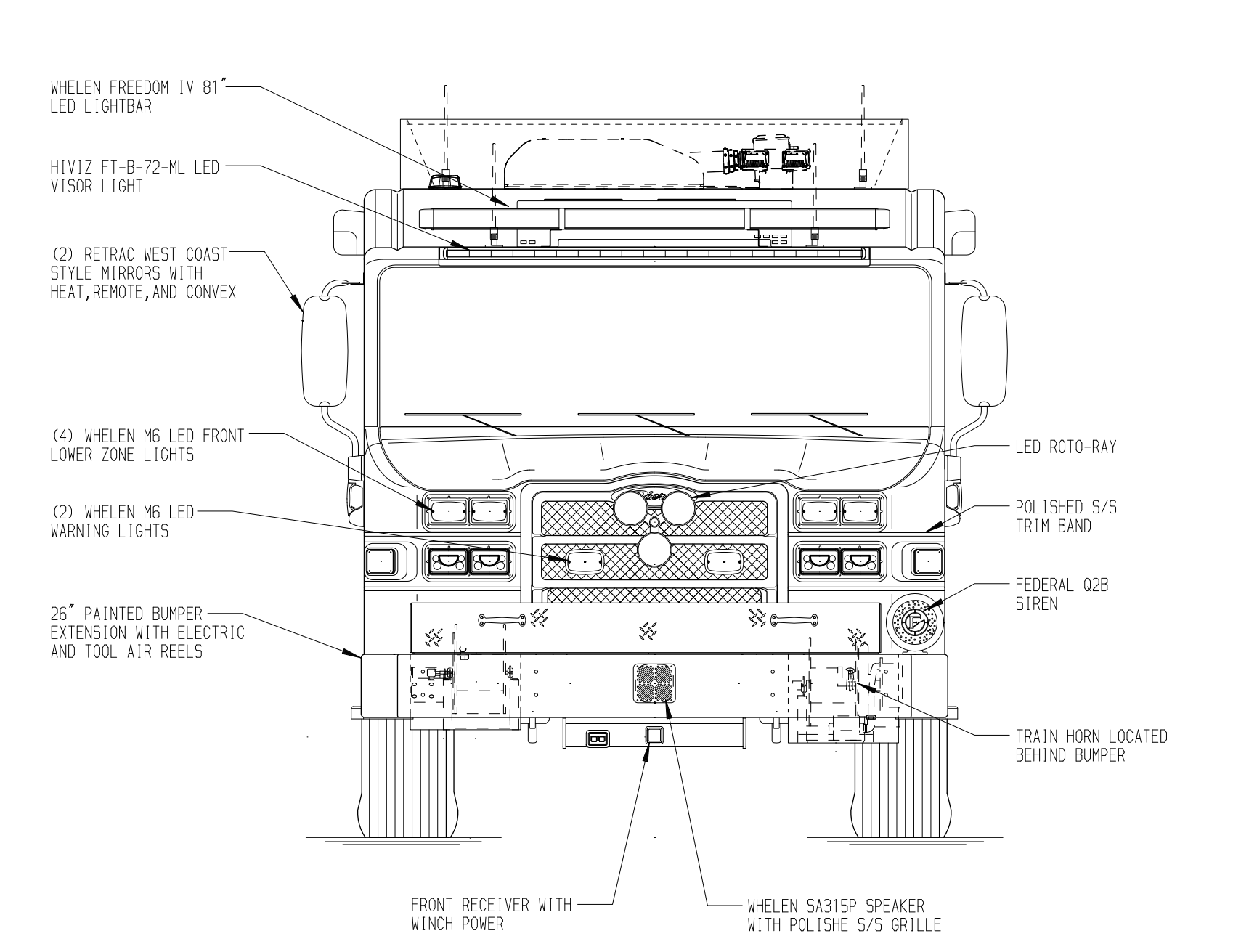
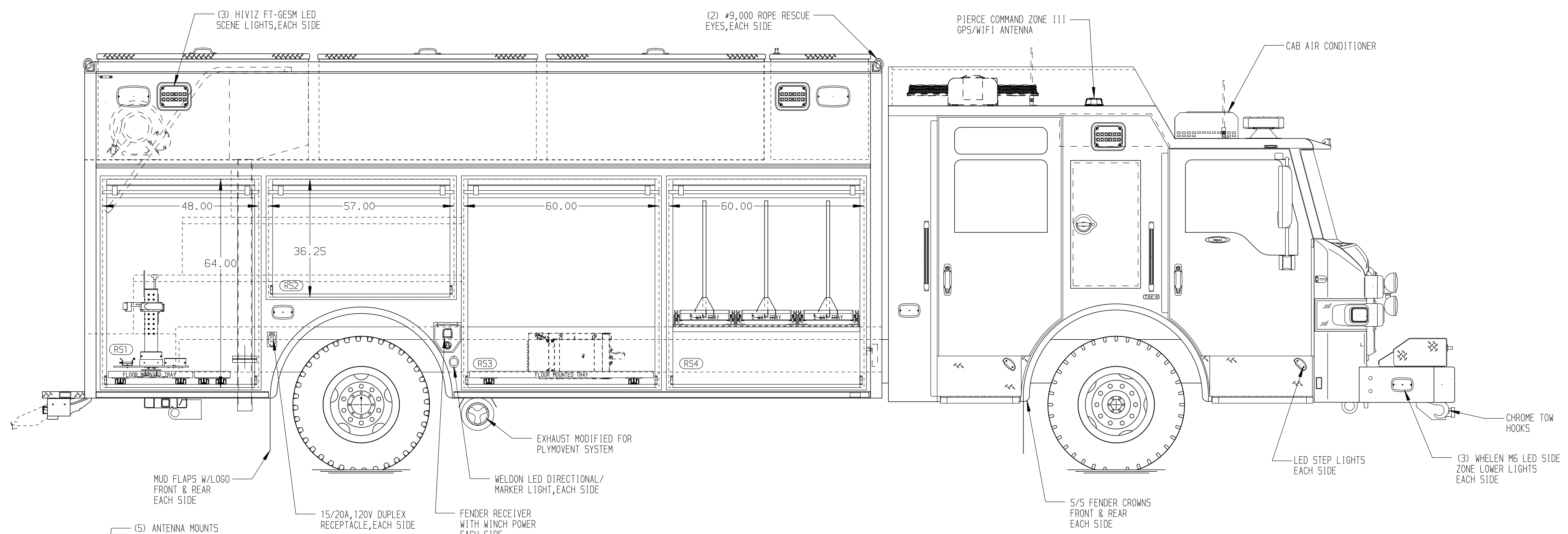
RIGHT SIDE COMPARTMENTS CONTAIN THE FOLLOWING:

COMPARTMENT R51 CONTAINS:
 - (1) OIL DRY HOPPER
 - (2) FLOOR MOUNTED TRAYS
 - (1) HYDRAULIC TOOL TURNABLE

COMPARTMENT R52 CONTAINS:
 -

COMPARTMENT R53 CONTAINS:
 - (1) FLOOR MOUNTED TRAY

COMPARTMENT R54 CONTAINS:
 - (1) CAB LIFT CONTROLLER
 - (1) HORIZONTAL FLOOR EXTENSION
 - (3) 2-WAY FLOOR MOUNTED SLIDE OUT TRAYS WITH TOOLBOARDS



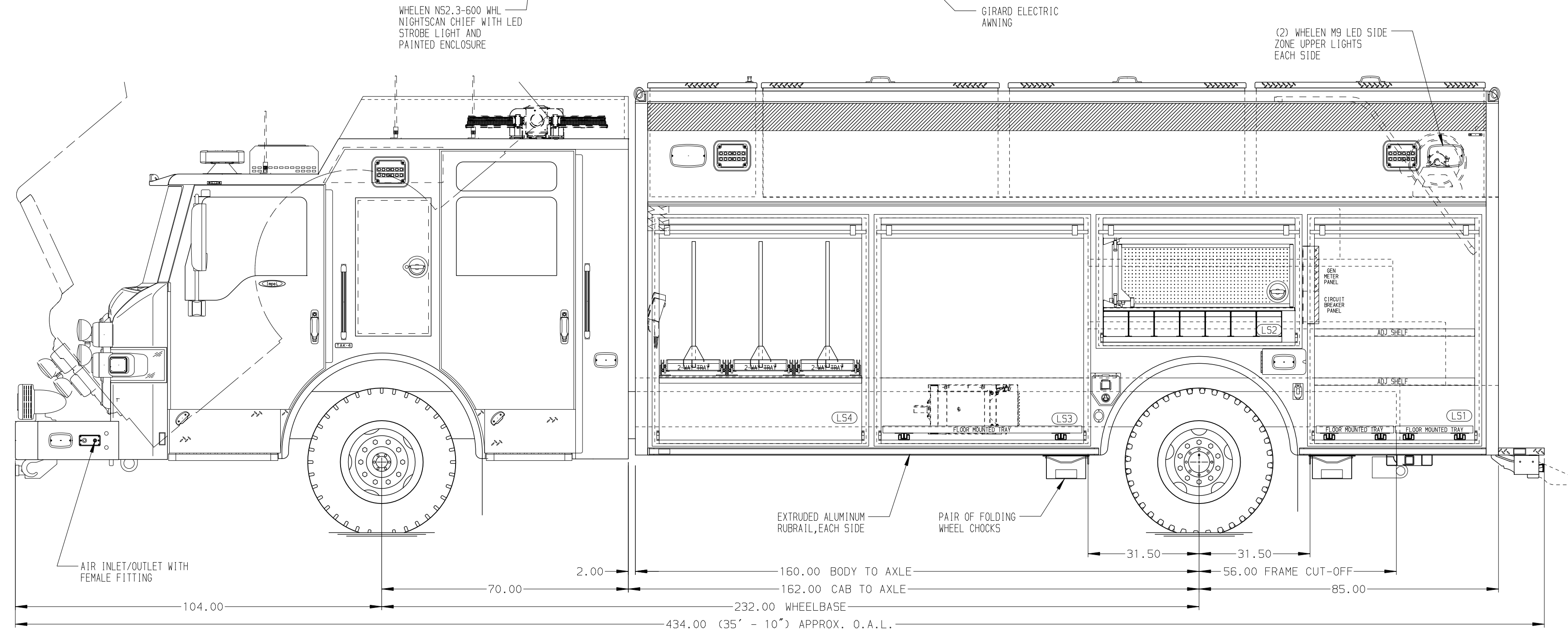
REAR COMPARTMENT CONTAINS THE FOLLOWING:

COMPARTMENT B1 CONTAINS:
 -

COMPARTMENT B2 CONTAINS:
 - (1) 96" DP SLIDEMASTER TRAY

COMPARTMENT B3 CONTAINS:
 - (1) 83" DP SLIDEMASTER TRAY

COMPARTMENT B4 CONTAINS:
 -



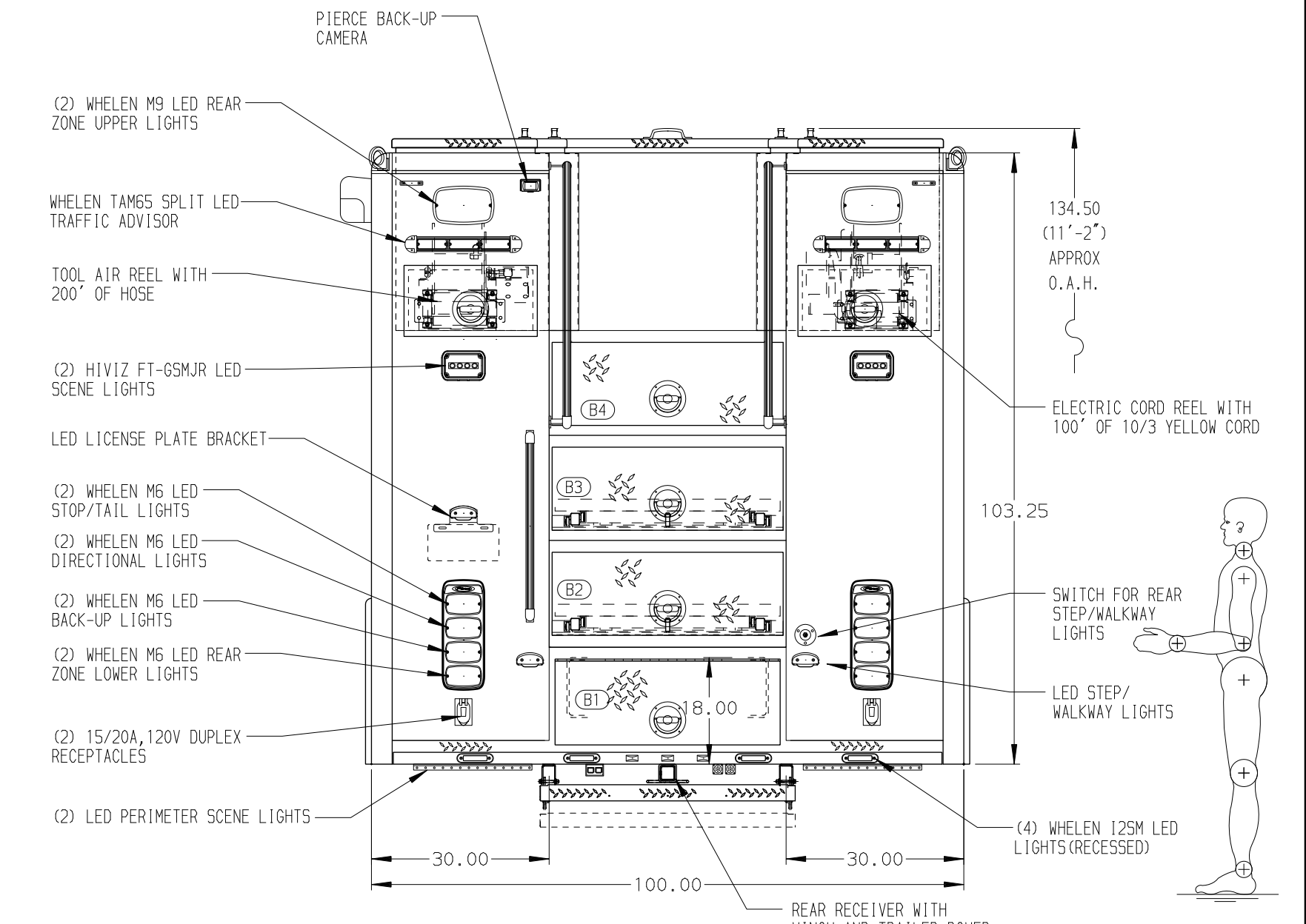
LEFT SIDE COMPARTMENTS CONTAIN THE FOLLOWING:

COMPARTMENT L51 CONTAINS:
 - (2) STD DEPTH ADJ SHELVES
 - (2) FLOOR MOUNTED TRAYS
 - (1) CIRCUIT BREAKER PANEL
 - (1) GENERATOR METER PANEL

COMPARTMENT L52 CONTAINS:
 - (1) RACK FOR 7 SCBA BOTTLES
 - (1) HORIZONTAL COMPARTMENT DIVIDER
 - (1) SWING OUT TOOLBOARD

COMPARTMENT L53 CONTAINS:
 - (1) FLOOR MOUNTED TRAY

COMPARTMENT L54 CONTAINS:
 - (1) IOTA 75AMP CHARGER
 - (1) HORIZONTAL FLOOR EXTENSION
 - (3) 2-WAY FLOOR MOUNTED SLIDE OUT TRAYS WITH TOOLBOARDS



NOTE
 DIMENSIONS SHOWN ARE APPROXIMATE AND ARE SUBJECT TO MINOR DEVIATIONS AS MAY OCCUR OR BE NECESSARY IN CONSTRUCTION. MINOR DETAILS NOT SHOWN.

NOTES:

- ONAN 25KW SINGLE PHASE PTO DRIVEN GENERATOR LOCATED BETWEEN THE FRAME RAILS
- POLISHED S/S SCUFFPLATES ON CAB AND CREW CAB DOOR JAMBS
- FLOOR IN CAB AND CREW CAB TO BE PADDED RUBBER
- BATTERY CHARGE INDICATOR LOCATED ON DRIVER'S SEAT RISER
- 20A KUSSMAIL SUPER AUTO-EJECT INLET ON DRIVER'S SEAT RISER
- PIERCE LED STRIP LIGHTS IN ALL BODY AND HATCH COMPARTMENTS

SIDE ROLL AND FRONTAL IMPACT PROTECTION

CLEAR DOOR WIDTH KEY

AMOR ROLL UP DOORS:	-2 1/4"
GORTITE ROLL UP DOORS:	-2 1/2"
PIERCE DOUBLE LAP DOORS:	-4 1/4"
PIERCE LIFT-UP LAP DOORS:	-1 1/2"

(EX: 60" F-F - 2 1/4" = 57 3/4" CLEAR)
 (F-F) = FRAME TO FRAME

REV	DATE	BY	CH

CUSTOMER APPROVAL

APPROVED BY: _____
 DATE: _____

Pierce MANUFACTURING INC.

JOB NO. 37788
 SCALE 1:24
 DATE _____

TITLE HEAVY DUTY RESCUE NON-WALKIN
 FOR CITY OF SPRING HILL, TN
 BID #1154
 SIMS, MIKE

DRAWN BY DHE
 CHECKED BY CDK
 SHEET SIZE D
 SHEET NO. 1 OF 1

DWG NO. 37788AD