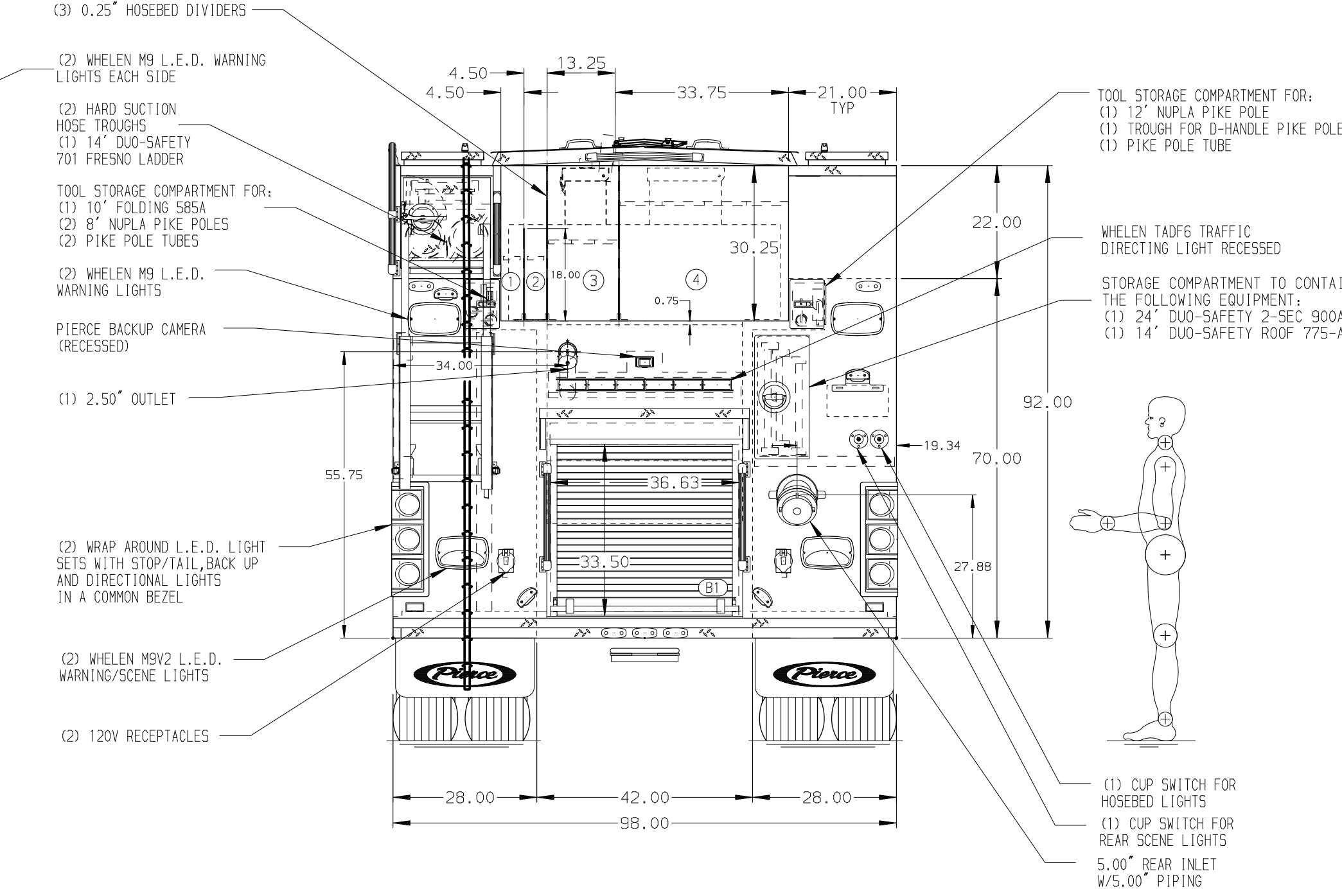
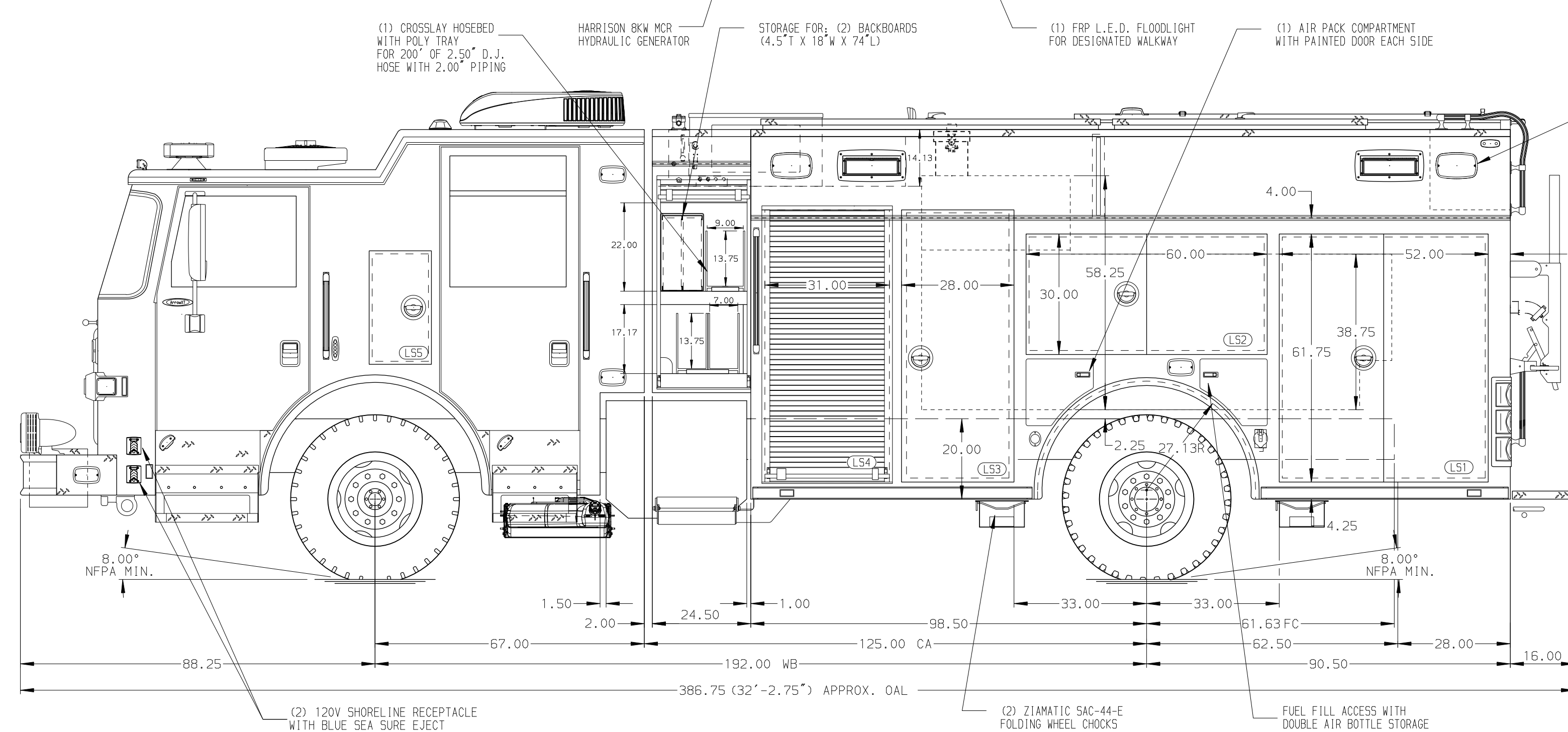


- HOSEBED CAPACITIES**
- ① - 150' OF 1.50" D.J. POLY HOSE
 - ② - 150' OF 1.50" D.J. POLY HOSE
 - ③ - 500' OF 2.50" D.J. POLY HOSE
 - ④ - 1000' OF 5.00" RUBBER HOSE



ALUMINUM BODY MAXIMUM O.A.H. 140.00" SIDE ROLL AND FRONTAL IMPACT PROTECTION

NOTE
DIMENSIONS SHOWN ARE APPROXIMATE AND ARE SUBJECT TO MINOR DEVIATIONS AS MAY OCCUR OR BE NECESSARY IN CONSTRUCTION. MINOR DETAILS NOT SHOWN.

1. BATTERY CHARGER LOCATED PER SHOP ORDER
2. SUB-FEED CIRCUIT BREAKER PANEL LOCATED PER SHOP ORDER
3. TWO FLOOR MOUNTED SLIDE-OUT TRAYS LOCATED PER SHOP ORDER
4. ONE VERTICAL BOLT-IN PARTITION BETWEEN COMPARTMENTS LS1/B1 & RS1/B1
5. FIVE FULL WIDTH/DEPTH ADJUSTABLE SHELVES LOCATED PER SHOP ORDER
6. CIRCUIT BREAKER PANEL LOCATED PER SHOP ORDER
7. ONE CTECH THREE DRAWER ASSEMBLY LOCATED PER SHOP ORDER
8. ONE HANNAY ELECTRIC REWIND CORD REEL MODEL: 1618-17-18 WITH 200' OF 10/3 CABLE LOCATED PER SHOP ORDER
9. ONE 6" D-HANDLE DUO-SAFETY PIKE POLE SHIPPED LOOSE
10. ONE SWING-OUT TOOLBOARD WITH PEGBOARD PATTERN LOCATED PER SHOP ORDER
11. FOUR 120V RECEPTACLES LOCATED PER SHOP ORDER

CHASSIS DATA	TITLE	1250-D-750P, 700G WATER, 50G FOAM, 189" RESCUE PUC LADDERS THRU LS BODY, (3) XLYS, DELUGE, GENERATOR
MAKE	FOR	CITY OF YUMA FIRE DEPARTMENT YUMA, ARIZONA
MODEL	DWG NO.	37790AD
REV	DATE	BY
11AUG23	JJB	GKH
20JUN23	JJB	GKH
ARROW XT		

Pierce MANUFACTURING INC.

JOB NO. 37790

SCALE 1:24 DATE

DRAWN BY JJB 15FEB23

CHECKED BY CZA 16FEB23

SHEET SIZE D SHEET NO. 1 OF 1