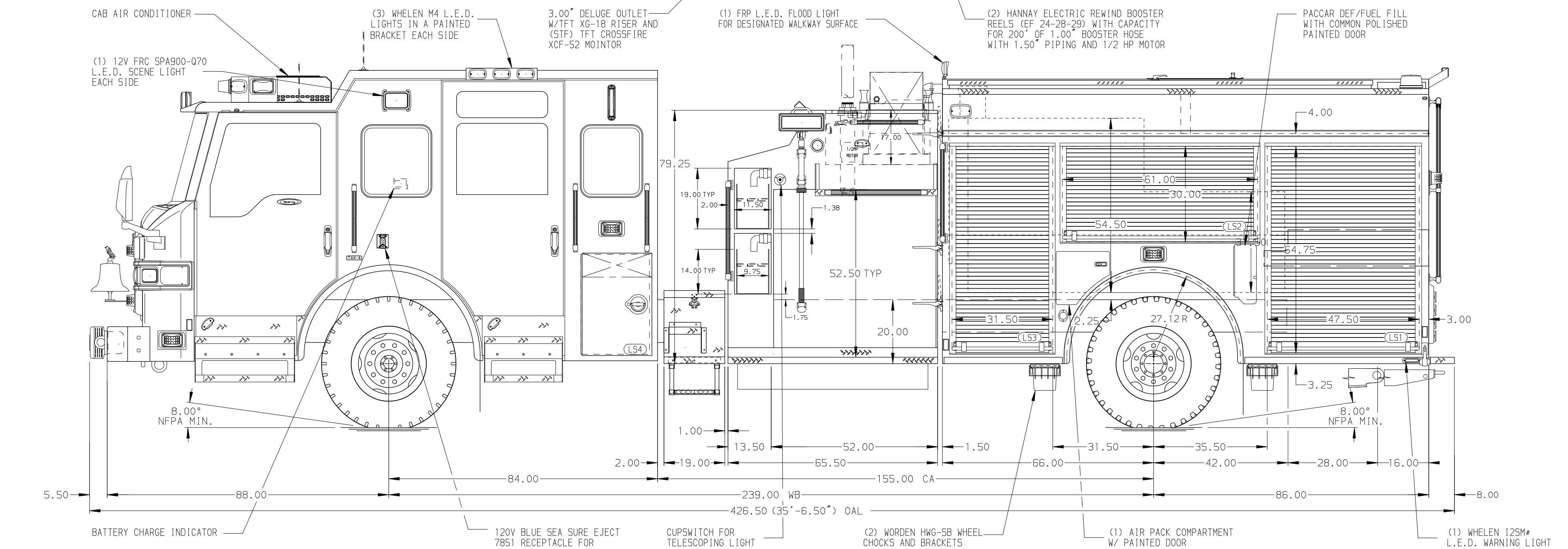


HOSEBED CAPACITIES

- 250' OF 2.00" D.J. POLY HOSE
- 200' OF 2.50" D.J. POLY HOSE
- 1000' OF 5.00" D.J. POLY HOSE
- 300' OF 3.00" D.J. POLY HOSE



ALUMINUM BODY

SIDE ROLL AND FRONTAL IMPACT PROTECTION

NOTE
DIMENSIONS SHOWN ARE APPROXIMATE AND ARE SUBJECT TO MINOR DEVIATIONS AS MAY OCCUR OR BE NECESSARY IN CONSTRUCTION. MINOR DETAILS NOT SHOWN.

- AIR INLET/OUTLET WITH DISCONNECT FITTING LOCATED ON DRIVER'S PUMP PANEL
- BATTERY CHARGER/AIR COMPRESSOR LOCATED IN REAR FACING SEAT RISERS
- HERCULES 200 CFM COMPRESSED AIR FLOW SYSTEM
- TWO 4" FRU NYRH RH-4 D-HANDLE PIKE POLES SHIPPED LOOSE

CUSTOMER APPROVAL

APPROVED BY: _____
DATE: _____

REV	DATE	BY	CH	VELOCITY
-	-	-	-	-

Pierce MANUFACTURING INC.

TITLE: 1500-D-780P, 750G WATER, 30G FOAM, 152" FDLER PUMPER LADDERS BTWN TANK & SS, (2) SPEEDLAYS, DELUGE, CAFS
FOR: SAN ANTONIO FIRE DEPARTMENT
SAN ANTONIO, TEXAS
DWG NO.: 37794AD-SH1

JOB NO.	37794-01-13
SCALE	1:24
DATE	
DRAWN BY	JJB
CHECKED BY	KBO
SHEET SIZE	D
SHEET NO.	1 OF 2