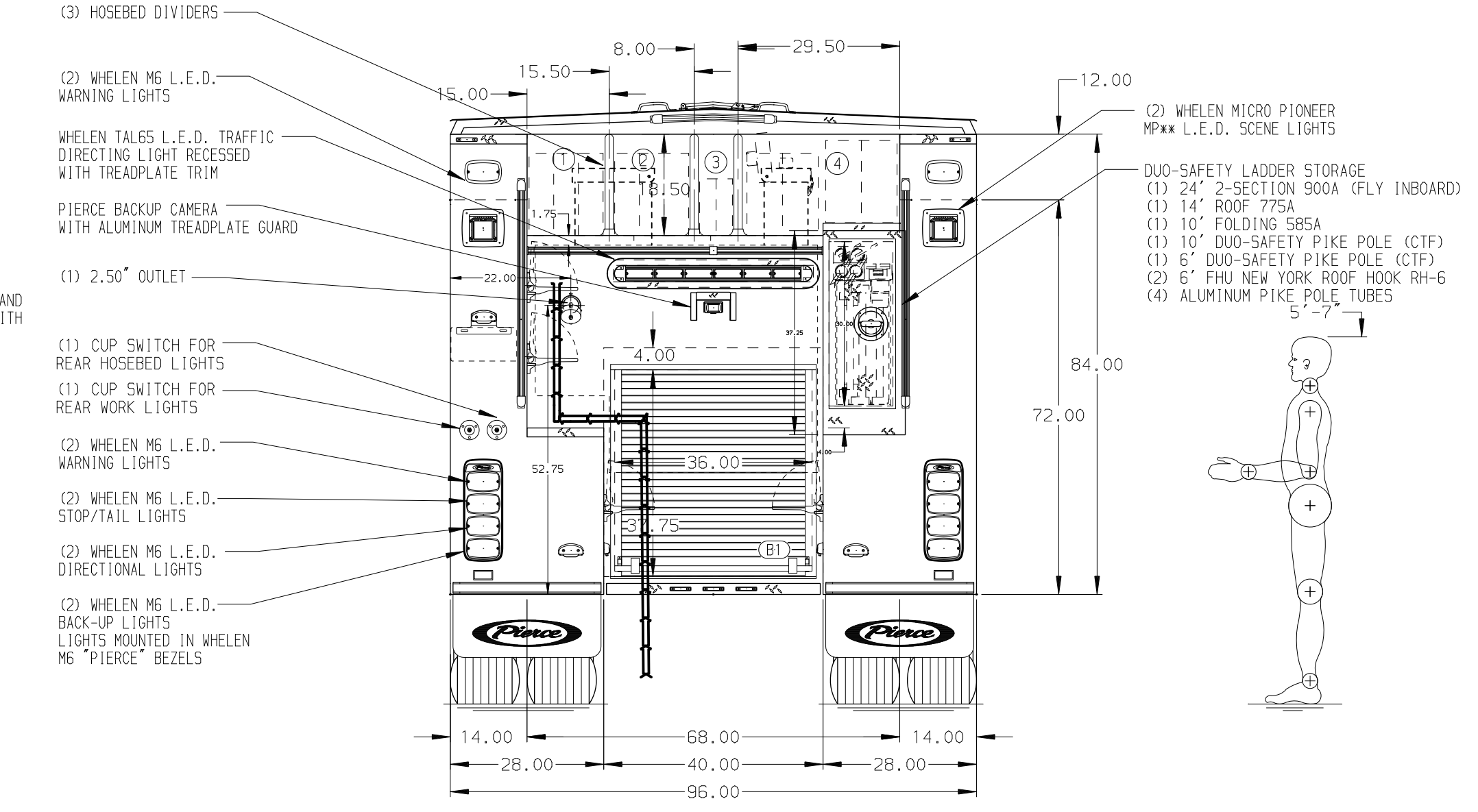


HOSEBED CAPACITIES

- ① 600' OF 2.50" D.J. HOSE
- ② 600' OF 2.50" D.J. HOSE
- ③ 300' OF 1.50" D.J. HOSE
- ④ 800' OF 4.00" D.J. HOSE



ALUMINUM BODY

MAXIMUM O.A.H. 120.00"

NOTE
DIMENSIONS SHOWN ARE APPROXIMATE AND ARE SUBJECT TO MINOR DEVIATIONS AS MAY OCCUR OR BE NECESSARY IN CONSTRUCTION. MINOR DETAILS NOT SHOWN.

1. DUAL L.E.D. LIGHT STRIPS LOCATED IN HOSE BED
2. AIR INLET WITH DISCONNECT COUPLING LOCATED IN DS SEAT RISER
3. FOAMPRO 2001 FOAM SYSTEM
4. BATTERY CHARGER INDICATOR LOCATED ON DRIVER'S SEAT RISER

REV	DATE	BY	CH	ENFORCER
08JAN24		KLE	BSE	
02NOV23		KLE	BSE	
26SEP23		LME	BSE	

		JOB NO.	37797
		SCALE	01-03
1500-D-770P, 750 WATER W/20 FOAM, 152" BODY, FDLR (2) CROSSLAYS, DELUGE, LADDERS BTWN TANK & S.SHT		DATE	16JUN23
		DRAWN BY	LME
BAKERSFIELD FD BAKERSFIELD, CALIFORNIA		CHECKED BY	BSE
		DATE	16JUN23
37797AD-SH1		SHEET SIZE	D
		SHEET NO.	1 OF 2