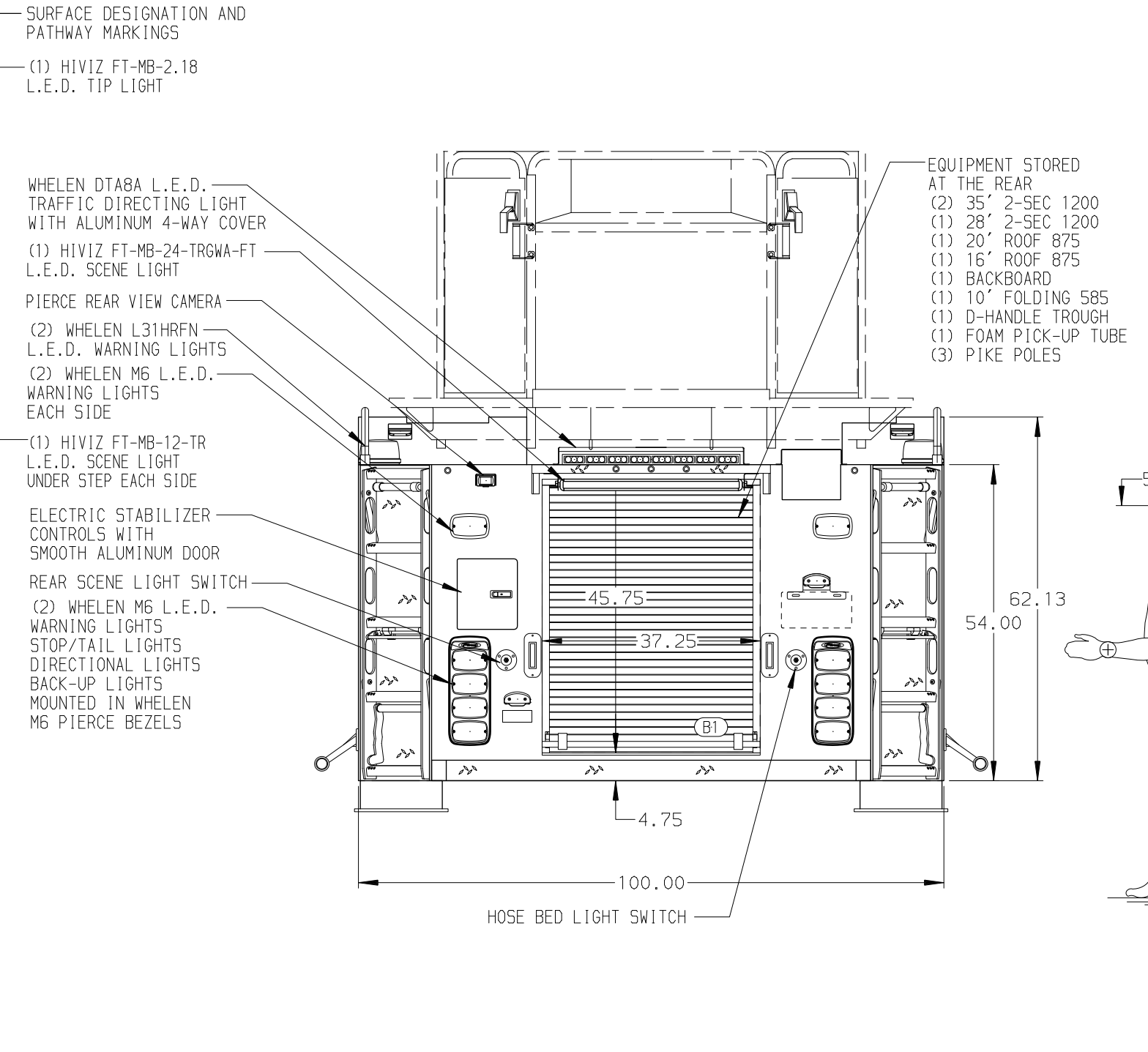
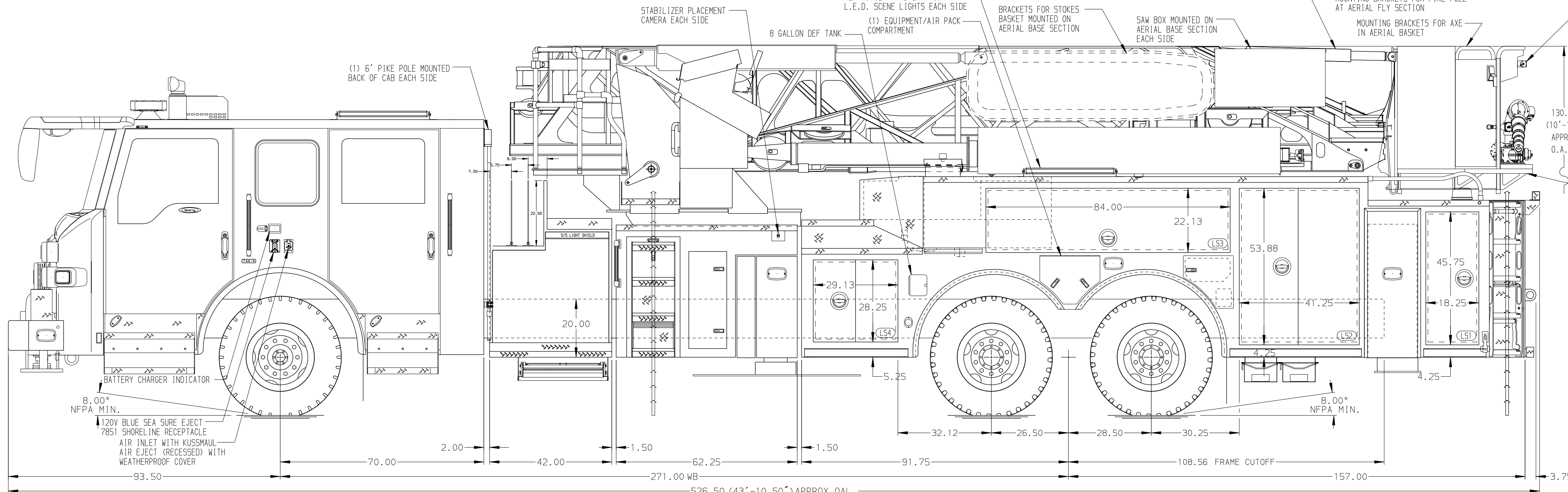


BODY 100' Ascendant Aerial Tower Alum Body COMPT, LEFT SIDE Full Height Lap Doors COMPT, RIGHT SIDE Full Height Lap Doors	WATER TANK 280 Gal/Lon Poly Water Tank Foam System Husky 3 Single Agent Foam System Foam Cell 20 Gal/Lon Foam Cell, Reduced Water
---	---



CHASSIS Velocity Chassis (Big Block) 605 HP Cummins X15 Engine	CAB 7000 Velocity FR Cab 15" Painted Aluminum	AXLE, FRONT, CUSTOM 24,000 Lb TAK-4 Axle AXLE, REAR 54,000 Lb Meritor Axle	TRANSMISSION Allison 5th Gen, 4500 EV5 P	PUMPHOUSE 42" Control Zone Side Mount PUMP 1750 GPM Waterous S100	CROSSLAYS, 1.50" (2) 1.50", 200' OF 1.75" HOSE CROSSLAYS, 2.50" (1) 2.50", 200' OF 2.50" HOSE	SPEEDLAYS Speedlays Not Required GENERATOR Generator Not Required	SAFETY Side Roll and Frontal Impact Protection
---	--	---	--	---	--	--	---

NOTE
DIMENSIONS SHOWN ARE APPROXIMATE AND ARE SUBJECT TO MINOR DEVIATIONS AS MAY OCCUR OR BE NECESSARY IN CONSTRUCTION. MINOR DETAILS NOT SHOWN.

- BATTERY CHARGER LOCATED IN COMPARTMENT PER ORDER
- L.E.D. LIGHT STRIPS WITH STAINLESS STEEL PROTECTIVE COVER LOCATED IN HOSE BED
- SEVEN ADJUSTABLE FULL WIDTH/FULL DEPTH SHELVES IN COMPARTMENTS PER ORDER
- ONE FLOOR MOUNTED SLIDE-OUT TRAY IN COMPARTMENT PER ORDER
- ONE SWING-OUT ALUMINUM TOOL BOARD IN COMPARTMENT PER ORDER
- ONE VERTICAL PARTITION IN COMPARTMENT PER ORDER
- TWO 120V DUPLEX RECEPTACLES IN CAB PER ORDER
- ONE 120V DUPLEX RECEPTACLE IN COMPARTMENT PER ORDER
- TECNO L.E.D. RING STYLE LIGHTING ON AERIAL LADDER SECTIONS PER SHOP ORDER
- DC POWER TO AERIAL BASKET

- 2-WAY INTERCOM SYSTEM BETWEEN AERIAL TIP OR PLATFORM AND TURNTABLE
- 2-IN-1 LIFE BRACKETS ON BASKET
- NON-RAISED AERIAL PEDESTAL
- ONE ZICO MOUNT TAIL IN COMPARTMENT PER ORDER
- TEMPORARY VENT SAW SCABBARD LOCATED IN AERIAL BASKET

Pierce MANUFACTURING INC.

JOB NO. 37800

SCALE 1:24 DATE

TITLE 100' ASCENDANT AERIAL PLATFORM AND BODY ASSEMBLY

FOR BRIGHTON FIRE RESCUE DISTRICT BRIGHTON, CO

CHECKED BY CRI 22DEC21

DWG NO. 37800AD

SHEET SIZE D SHEET NO. 1 OF 1

CHASSIS DATA

MAKE PIERCE

MODEL

REV 14JAN22 GJA GKH

DATE BY CH