

# Pumper, PUC

## BODY

Pumper, PUC, Aluminum

## CHASSIS

Enforcer Chassis, PUC

## CHASSIS

### AXLE, FRONT, CUSTOM

23,000 Lb Dana Axle

### AXLE, REAR

27,000 Lb Meritor Axle

## ENGINE

500 HP Cummins X12 Engine

## TRANSMISSION

Allison 5th Gen, 4500 EVS P

## BUMPER

19" Extended Stainless Steel

## CAB

7010 Enforcer Cab, PUC

## BODY

### WATER TANK

750 Gallon Poly Water Tank

### COMPT, PUMPER, REAR

33.50" FF RollUp Rear Compt w/Tailboard, PUC

### COMPT, PUMPER, LEFT SIDE

214" RollUp Full Height & Depth Front & Rear, PUC

### COMPT, PUMPER, RIGHT SIDE

214" RollUp Full Height & Depth Front & Rear, PUC

## FIRE SUPPRESSION

### PUMPHOUSE

Control Zone, PUC

## PUMP

1500 GPM Pierce PUC

### CROSSLAYS, 1.50"

(2) 1.50", Poly Trays, 200"

### CROSSLAYS, 2.50"

2.50" CrossLays Not Required

## GENERATOR

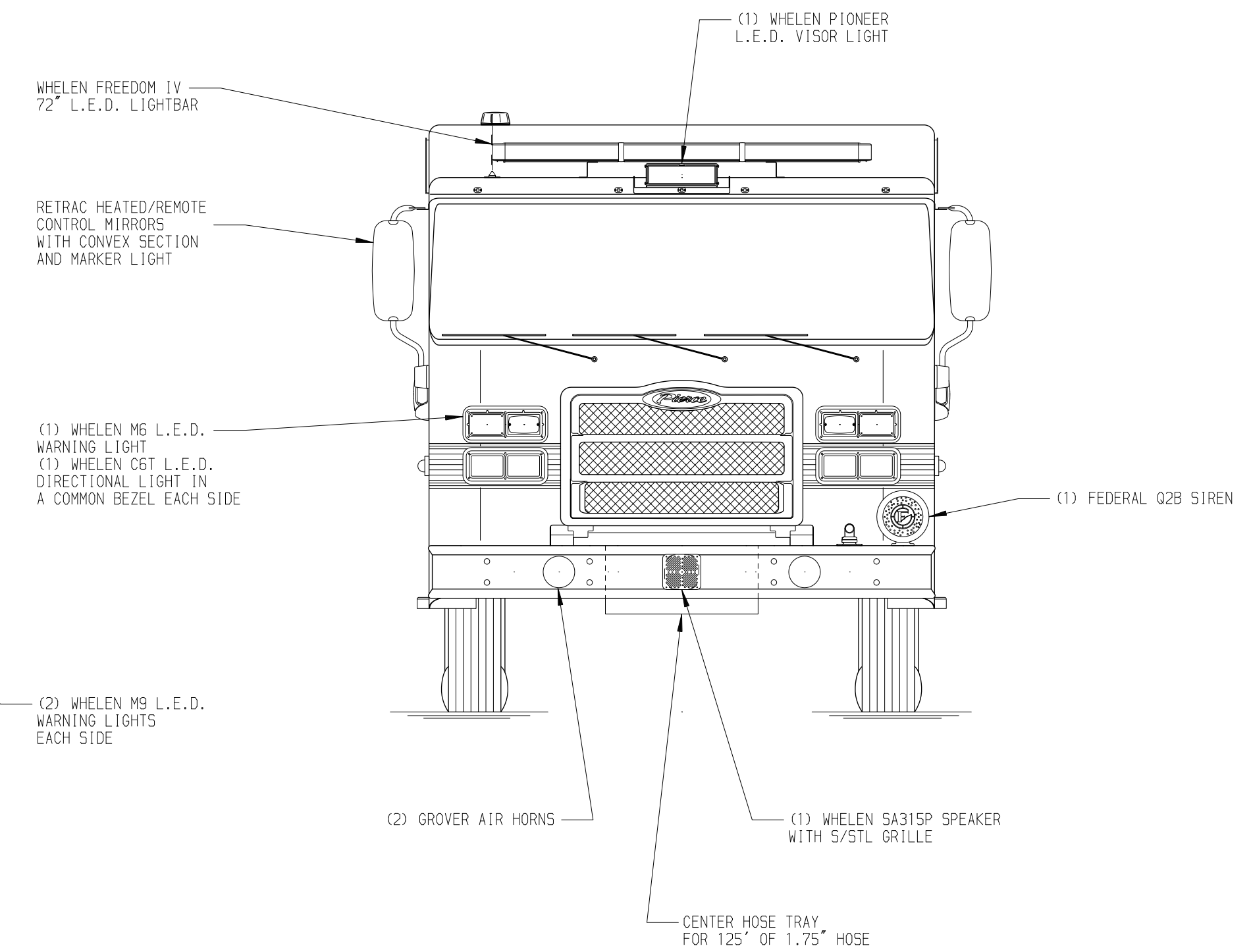
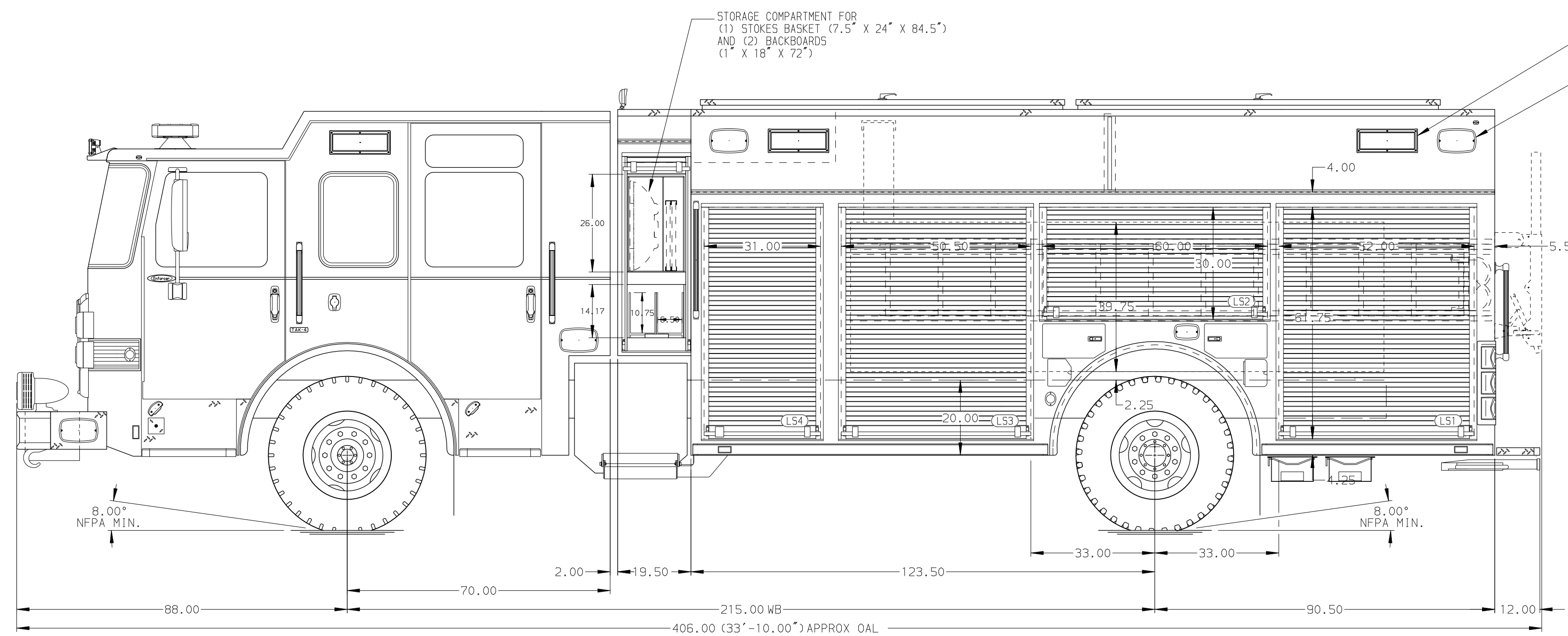
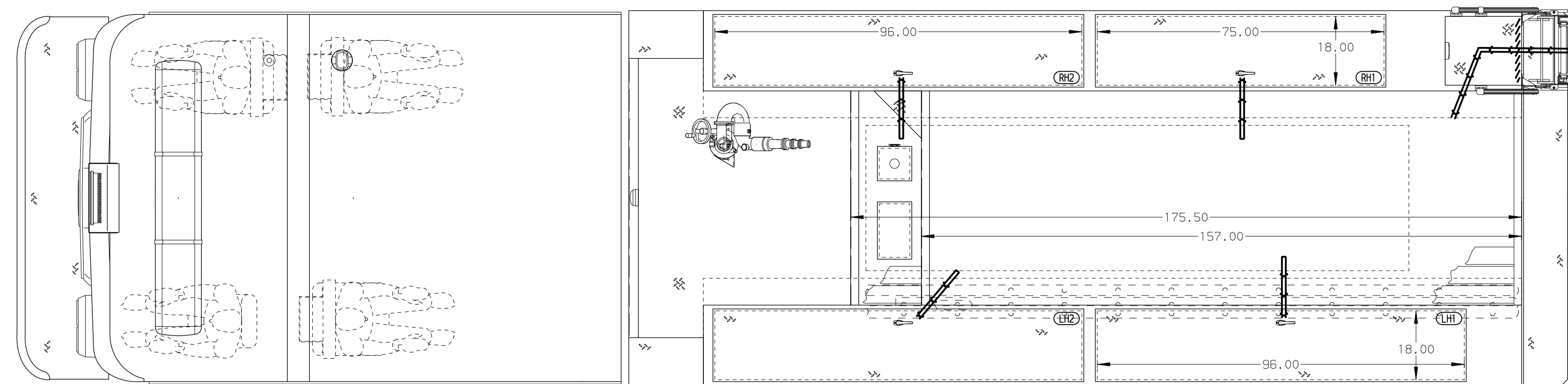
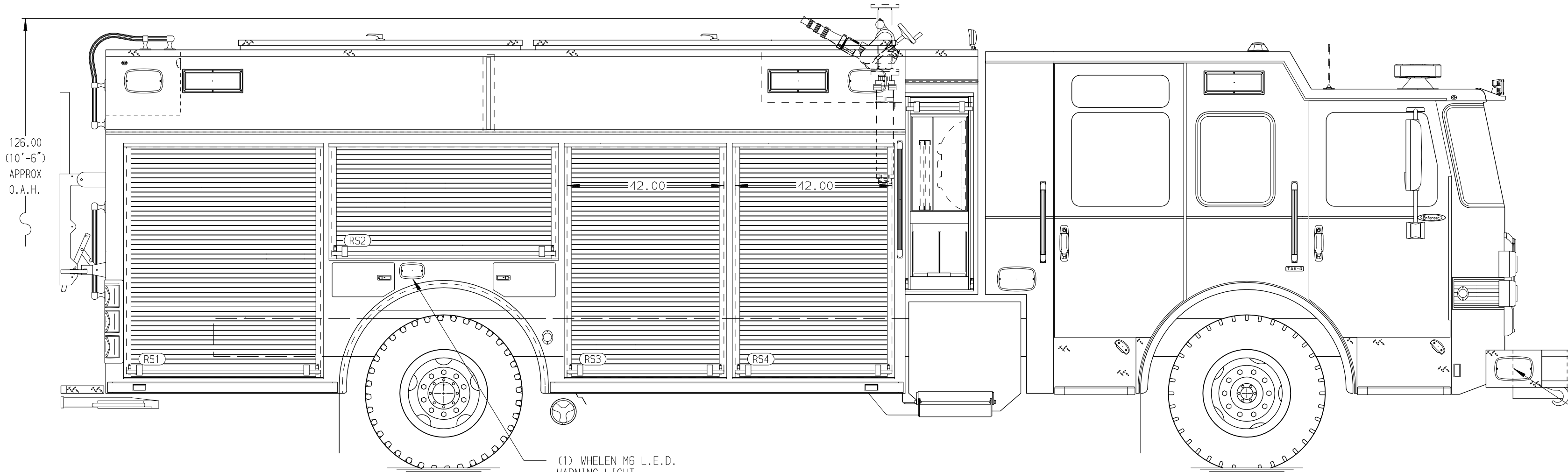
Generator Not Required

## Foam System

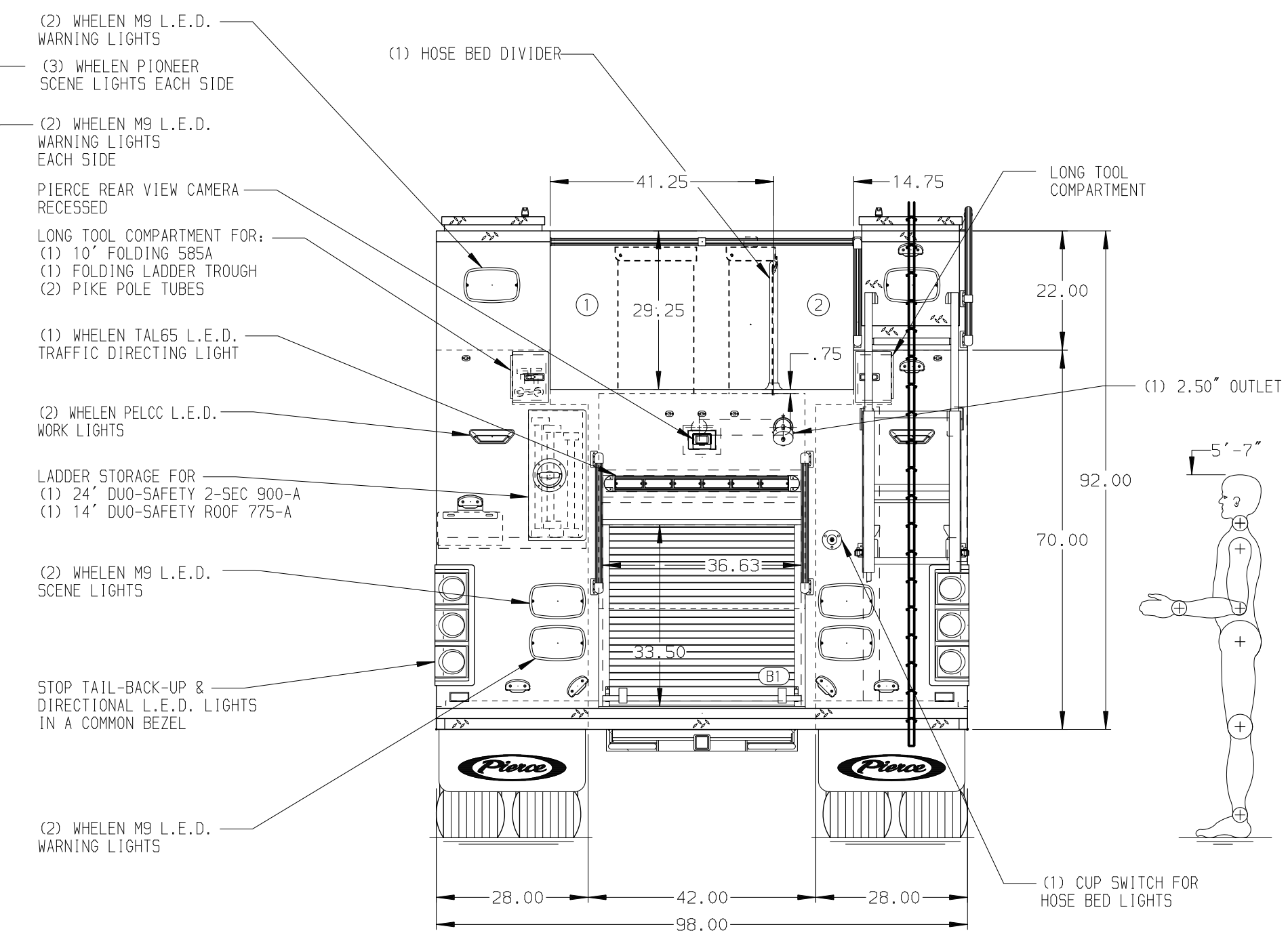
Foam System Not Required

## Foam Cell

25 Gallon Foam Cell Not Reduced



HOSEBED CAPACITY	
BED 1	1000' OF 5.00" D.J. POLY HOSE
BED 2	600' OF 2.50" D.J. POLY HOSE



**NOTE**  
DIMENSIONS SHOWN ARE APPROXIMATE AND ARE SUBJECT TO MINOR DEVIATIONS AS MAY OCCUR OR BE NECESSARY IN CONSTRUCTION. MINOR DETAILS NOT SHOWN.

- ONE 1.50 OUTLET WITH 2.00 PIPING AND SWIVEL LOCATED ON TOP BUMPER LEFT SIDE
- SHORELINE RECEPTACLE WITH KUSSMAUL SUPER AUTO-EJECT LOCATED ON DRIVER SIDE OF THE CAB
- AIR INLET WITH DISCONNECT COUPLING IN THE DRIVER SIDE STEPWELL RECESSED
- BATTERY CHARGER LOCATED PER ORDER
- BATTERY CHARGE INDICATOR LOCATED ON THE DRIVER SIDE SEAT RISER
- FIVE ADJUSTABLE SHELVES LOCATED PER ORDER
- FOUR FLOOR MOUNTED SLIDE-OUT TRAY LOCATED PER ORDER
- TWO SWING-OUT TOOLBOARDS LOCATED IN COMPARTMENTS PER SHOP ORDER
- AUTOMATIC TIRE CHAINS

## CUSTOMER APPROVAL

APPROVED BY: \_\_\_\_\_  
DATE: \_\_\_\_\_

REV	DATE	BY	CH	ENFORCER



TITLE Pierce PUC Pumper Approval Drawing  
MAKE -  
FOR -  
MODEL -  
DWG NO. 37823AD

JOB NO. 37823

SCALE 1:24 DATE

DRAWN BY MMF 15FEB22

CHECKED BY COL 15FEB22

SHEET SIZE D SHEET NO. 1 OF 1