

**PUMPER BODY**

Medium Aluminum 2nd Gen Pumper

**CHASSIS**

Enforcer Chassis

**CHASSIS AXLE, FRONT, CUSTOM**

19,500 Lb TAK-4 Axle

**AXLE, REAR**

24,000 Lb Meritor Axle

**ENGINE**

450 HP Cummins L9 Engine

**TRANSMISSION**

Allison 5th Gen, 3000 EVS P

**BUMPER**

19" Extended Painted Steel

**CAB**

8410 Enforcer Cab

**BODY WATER TANK**

500 Gallon New York Style Water Tank

**COMPT, PUMPER, REAR**

30.75" FF Rollup Rear Compt

**COMPT, PUMPER, LEFT SIDE**

152" Lap Full Height Front & Rear

**COMPT, PUMPER, RIGHT SIDE**

152" Lap Low

**FIRE SUPPRESSION PUMPHOUSE**

45" Control Zone Top Mount

**PUMP**

1500 GPM Waterous CSU

**CROSSLAYS, 1.50"**

(2) 1.50" Standard Capacity

**CROSSLAYS, 2.50"**

2.50" Crosslay Not Required

**SPEEDLAYS**

Speedlays Not Required

**GENERATOR**

Generator Not Required

**Foam System**

Foam System Not Required

**Foam Cell**

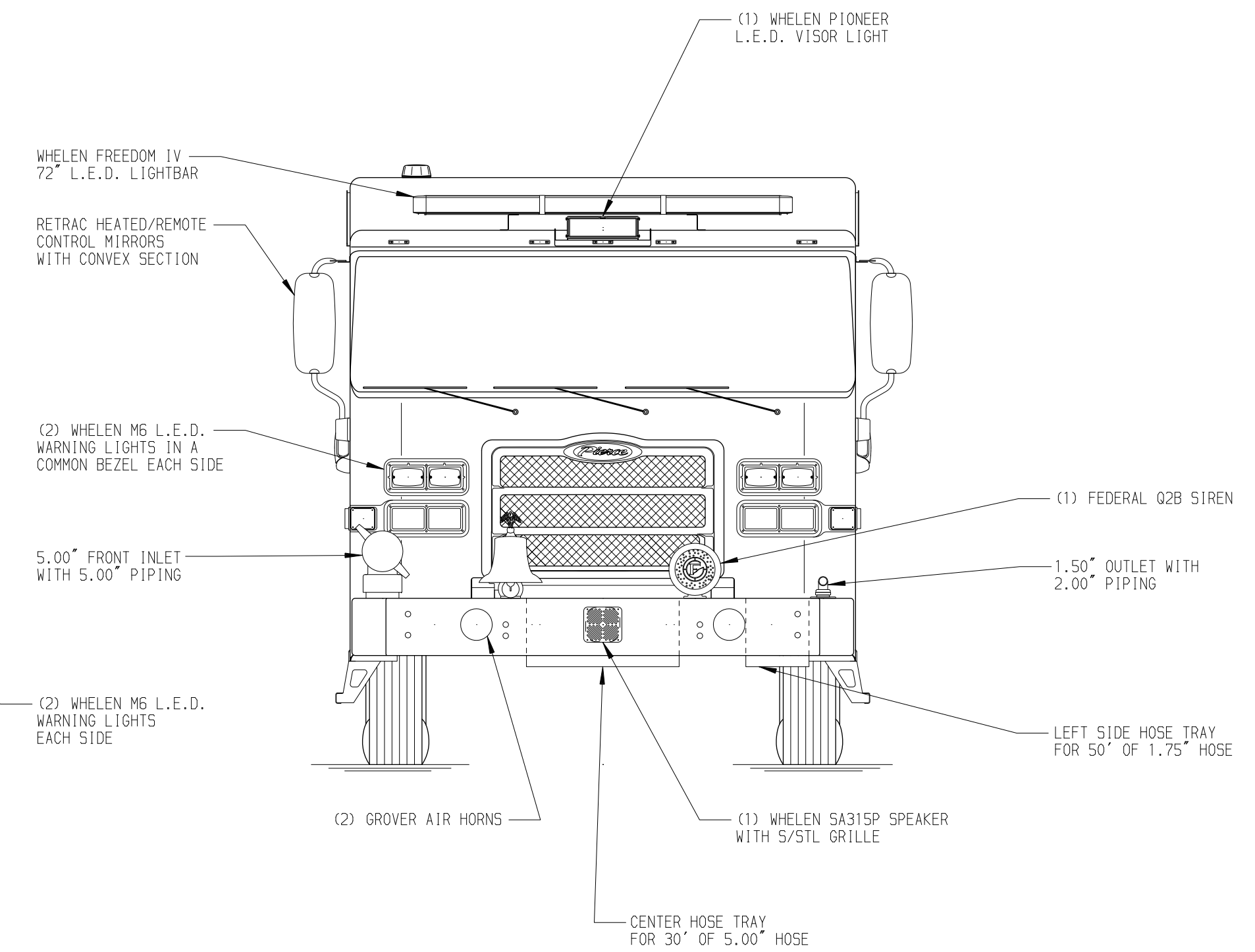
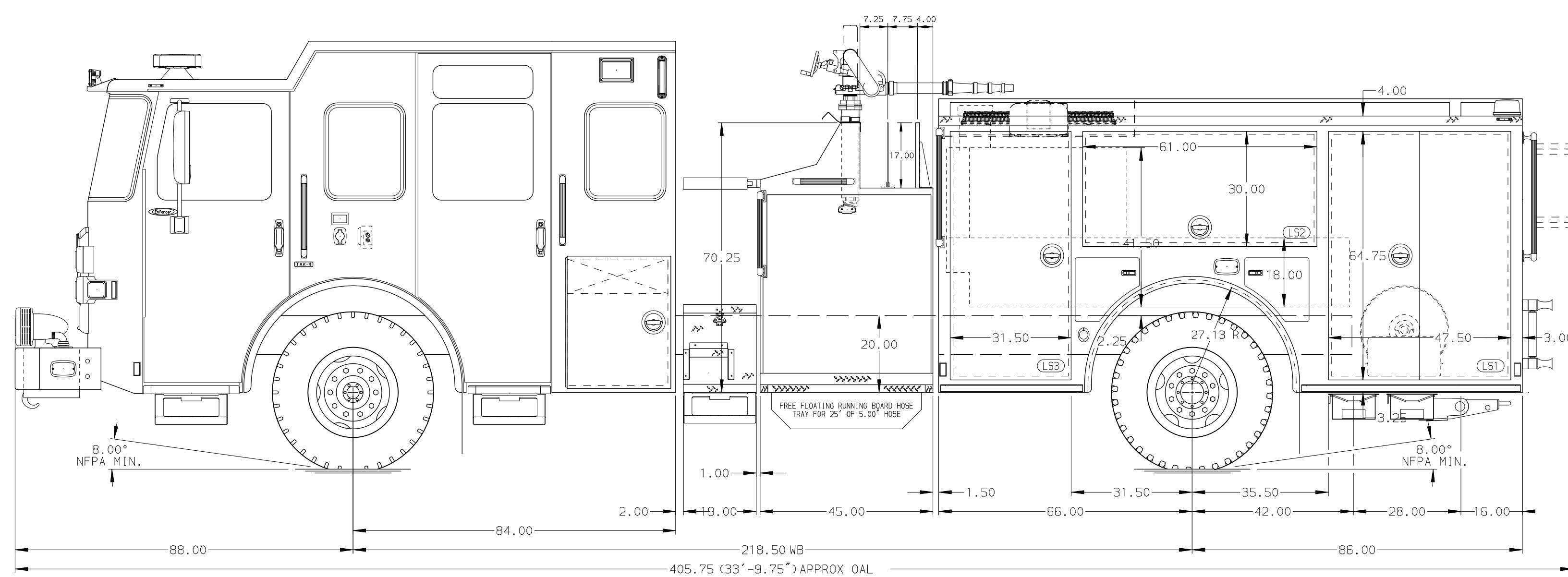
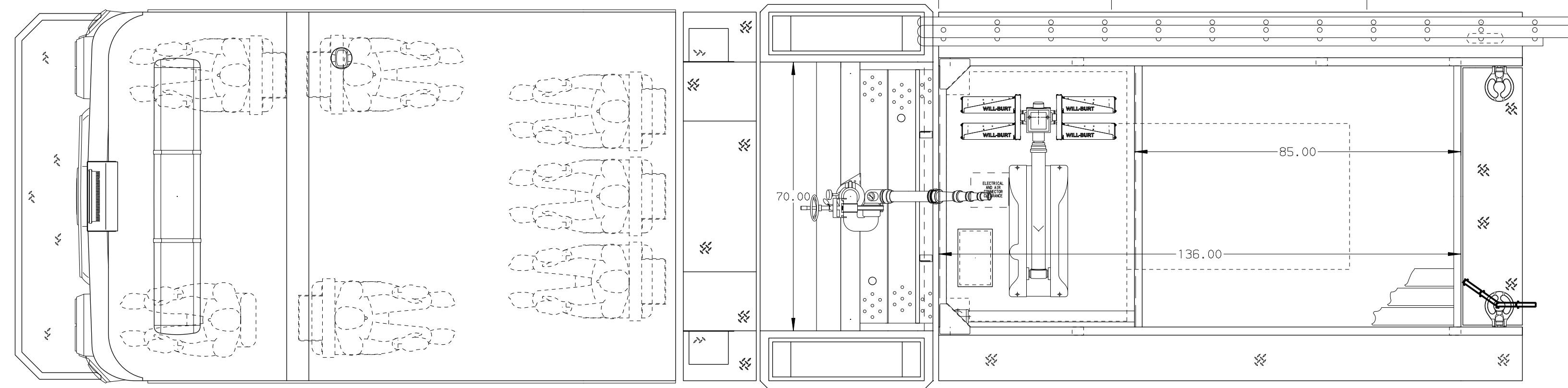
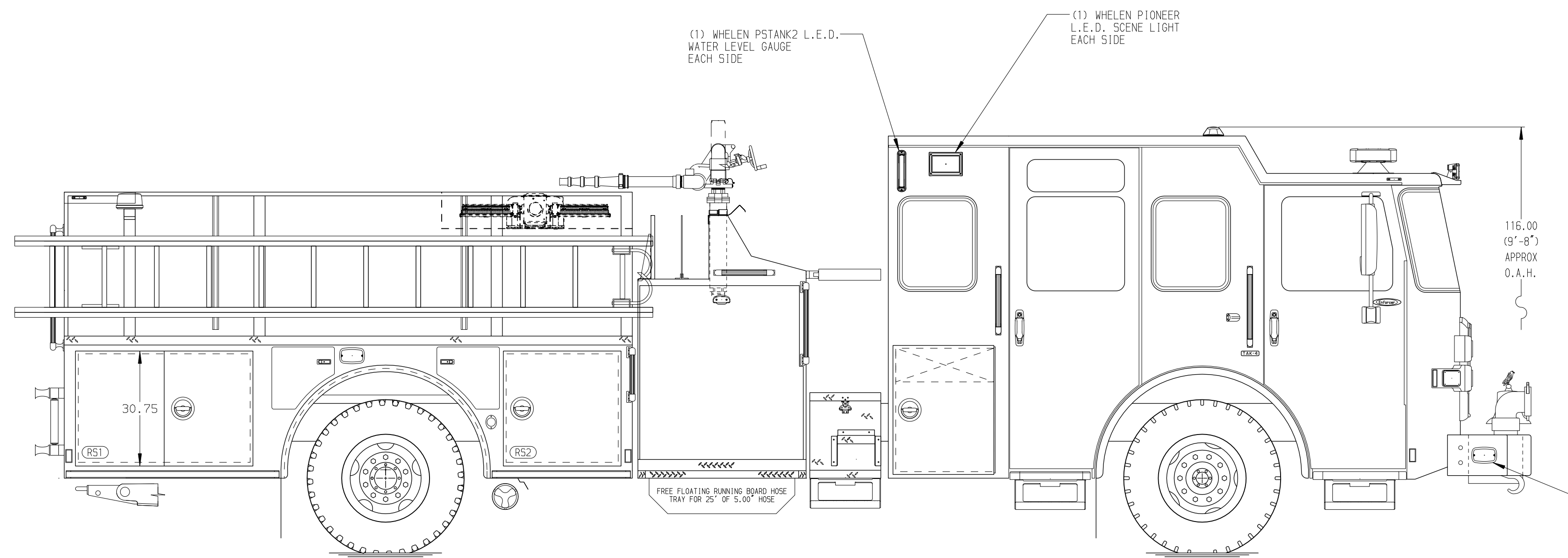
Foam Cell Not Required

Frontal Impact Protection

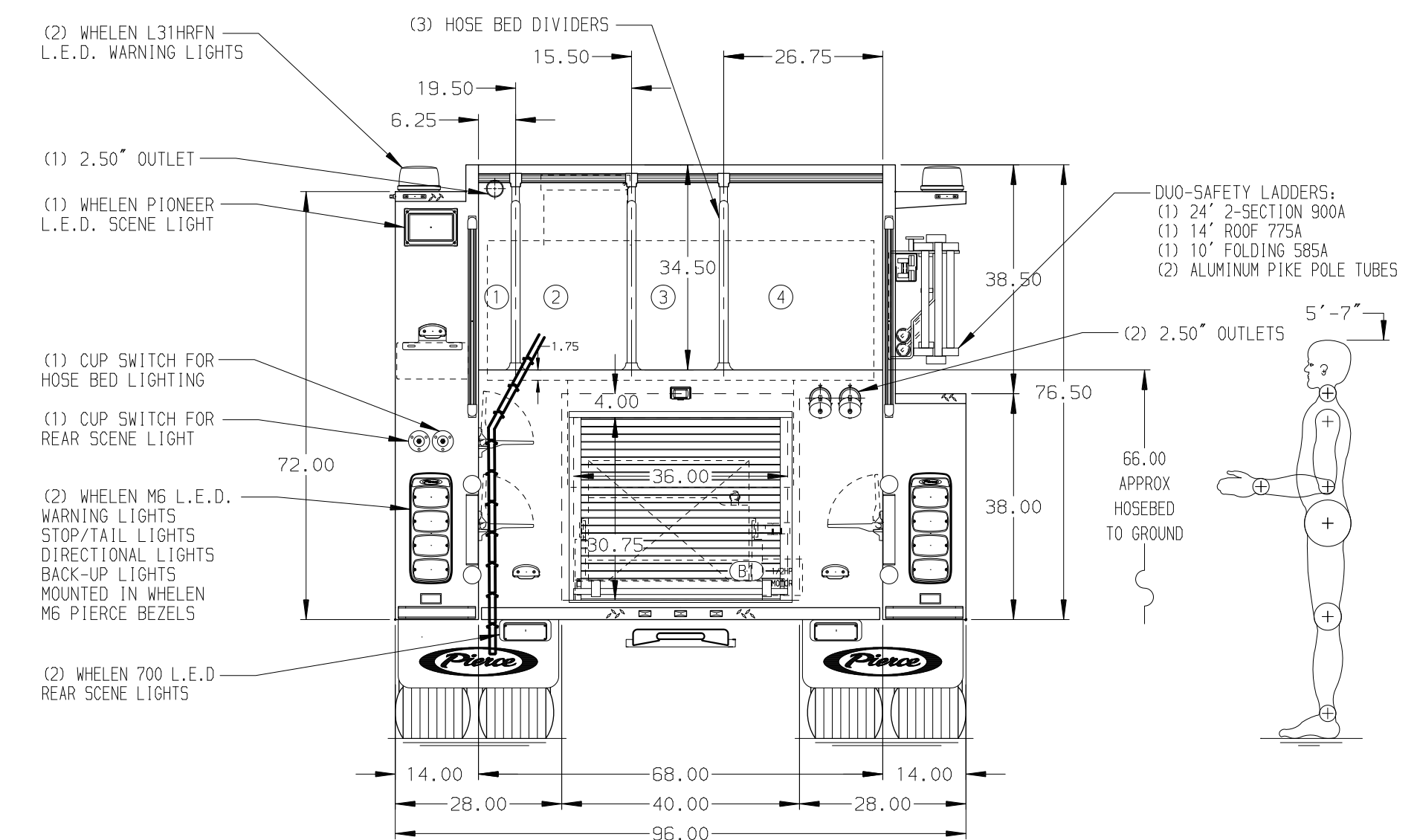
**NOTE**

DIMENSIONS SHOWN ARE APPROXIMATE AND ARE SUBJECT TO MINOR DEVIATIONS AS MAY OCCUR OR BE NECESSARY IN CONSTRUCTION. MINOR DETAILS NOT SHOWN.

1. SHOULDER RECEPTACLE WITH KISSMALL SUPER AUTO-EJECT LOCATED ON DRIVER SIDE OF THE CAB
2. AIR INLET/OUTLET WITH DISCONNECT COUPLING IN THE DRIVER SIDE PUMP PANEL
3. BATTERY CHARGER LOCATED IN COMPARTMENT PER SHOP ORDER
4. BATTERY CHARGE INDICATOR LOCATED ON THE DRIVER SIDE OF CAB
5. FIVE ADJUSTABLE SHELVES LOCATED PER ORDER
6. FOUR FLOOR MOUNTED SLIDE-OUT TRAYS LOCATED PER ORDER
7. ONE SWING-OUT TOOLBOARDS LOCATED PER ORDER
8. SIX 120V RECEPTACLES LOCATED PER ORDER
9. HANNAY BOOSTER REEL MODEL SBEP34-23-24 FOR 200' OF 1.00" BOOSTER HOSE IN B1
10. AUTOMATIC TIRE CHAINS



HOSEBED CAPACITY	
BED 1	200' OF 2.50" D.J. POLY HOSE
BED 2	800' OF 2.50" D.J. POLY HOSE
BED 3	800' OF 1.75" D.J. POLY HOSE
BED 4	1000' OF 3.00" D.J. POLY HOSE



**CUSTOMER APPROVAL**

APPROVED BY: \_\_\_\_\_  
DATE: \_\_\_\_\_



JOB NO.	37825
SCALE	1:24
DATE	
DRAWN BY	MMF
CHECKED BY	COL
SHEET SIZE	D
SHEET NO.	1 OF 1

CHASSIS DATA	TITLE	Pierce Pumper Approval Drawing
MAKE	FOR	Albertson Hook & Ladder
PIERCE	DWG NO.	37825AD
MODEL		
ENFORCER		

37825AD