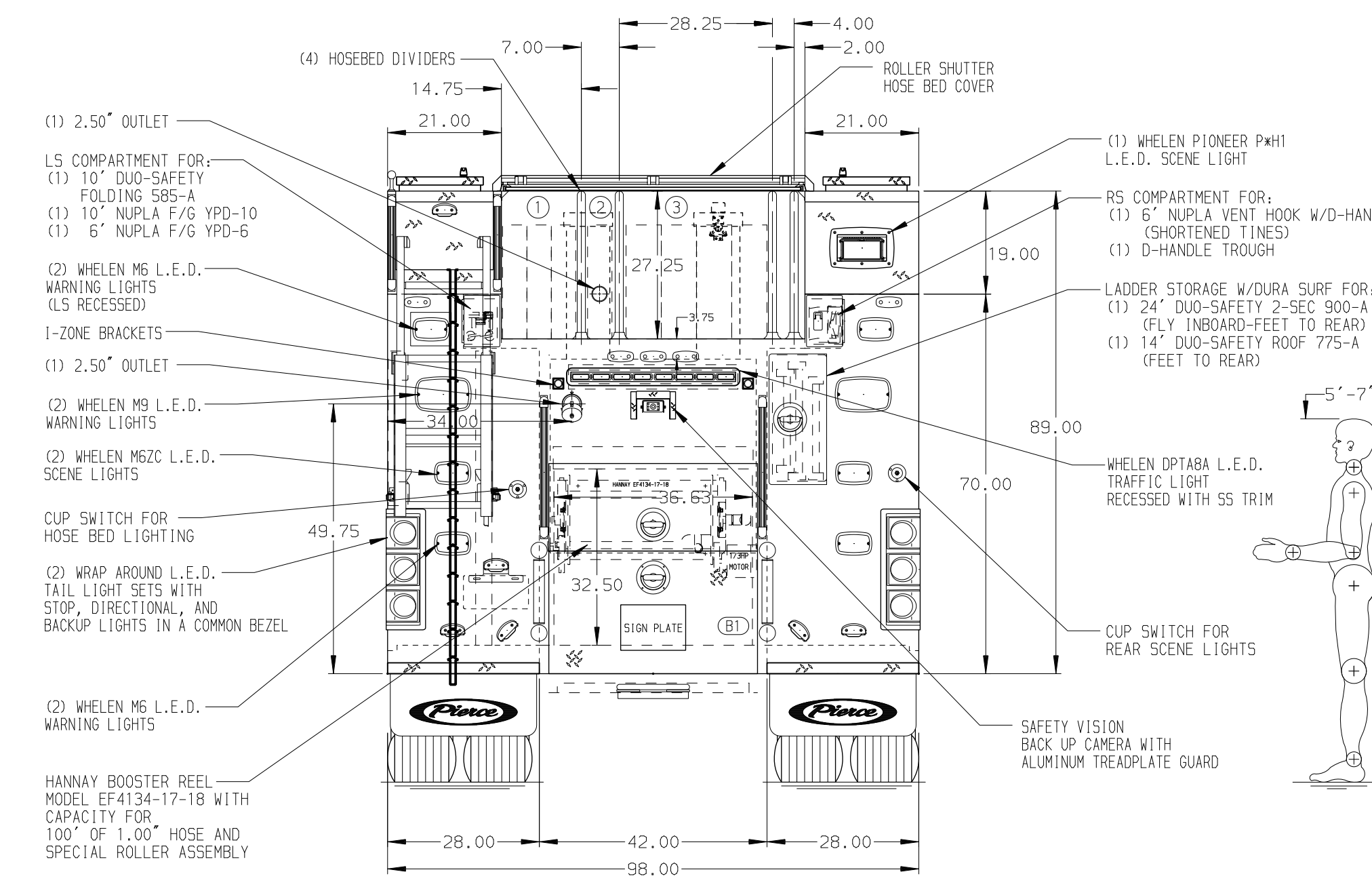
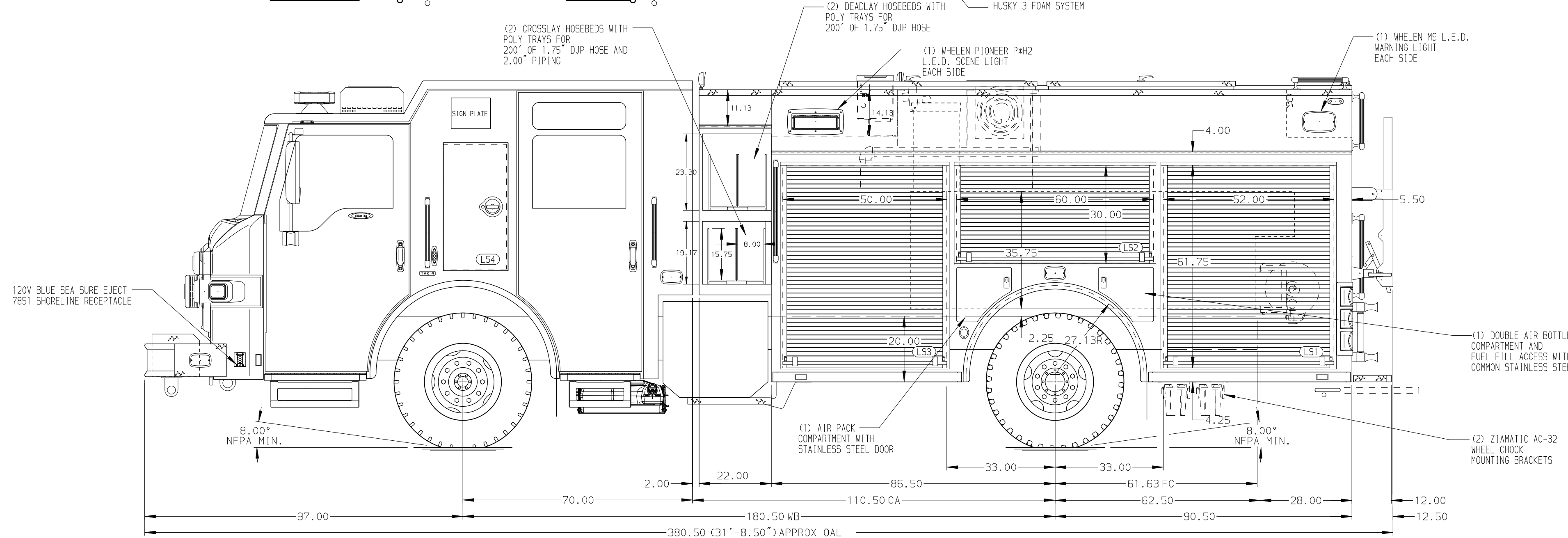


- HOSEBED CAPACITIES
- ① - 600' OF 2.50" HOSE
 - ② - 200' OF 2.50" HOSE
 - ③ - 800' OF 4.00" HOSE



ALUMINUM BODY

MAXIMUM O.A.H. 120"

NOTE
DIMENSIONS SHOWN ARE APPROXIMATE AND ARE SUBJECT TO MINOR DEVIATIONS AS MAY OCCUR OR BE NECESSARY IN CONSTRUCTION. MINOR DETAILS NOT SHOWN.

1. AIR INLET/OUTLET W/DISCONNECT COUPLING LOCATED IN DRIVER'S SIDE STEP WELL
2. DEF TANK MOUNTED UNDER CAB ON THE DRIVER'S SIDE
3. BATTERY CHARGER LOCATED BEHIND DRIVER'S SEAT
4. BATTERY CHARGE INDICATOR LOCATED ON DRIVER'S SEAT RISER
5. DUAL L.E.D. LIGHT STRIPS LOCATED IN HOSE BED
6. ONE ELECTRIC DOOR LOCK ON BODY DOOR PER ORDER
7. SEVEN DUAL L.E.D. LIGHT STRIPS ON BODY SIDE DOORS PER ORDER
8. L.E.D. LIGHT STRIPS IN HATCH COMPARTMENTS PER ORDER
9. SEVEN FULL WIDTH/DEPTH ADJUSTABLE SHELVES LOCATED IN COMPARTMENTS PER ORDER
10. ONE ADJUSTABLE INVERTED SHELF LOCATED IN COMPARTMENT PER ORDER
11. ONE ADJUSTABLE HEIGHT SLIDE OUT TRAY LOCATED IN COMPARTMENT PER ORDER
12. ONE FLOOR MOUNTED SLIDE OUT TRAYS WITH 2.00" SIDES LOCATED IN COMPARTMENT PER ORDER
13. ONE CTECH DRAWER INSERT LOCATED IN COMPARTMENT PER ORDER
14. PARTITION BETWEEN COMPARTMENTS L51/B1 AND R51/B1
15. ONE PEGBOARD ON BACK WALL OF COMPARTMENT PER ORDER
16. TWO PEGBOARDS ON SIDE WALLS OF COMPARTMENTS PER ORDER

REV	DATE	BY	CH	VELOCITY
02AUG23	SAM	DTJ		MAKE
01JUN23	SAM	DTJ		PIERCE
16FEB23	SAM	CDU		MODEL

		JOB NO.	37829
		SCALE	01-03
MANUFACTURING INC.		DATE	
		DRAWN BY	10FEB23
CHASSIS DATA TITLE 1500-D-525P, 500G WATER W/25G FOAM, 177" PUC (2) CROSSLAYS, (2) DEADLAYS, LADDERS THRU BODY FOR OCEANSIDE FIRE DEPARTMENT OCEANSIDE, CALIFORNIA		CHECKED BY	10FEB23
		SHEET SIZE	SHEET NO.
DWG NO. 37829AD		D	1 OF 1