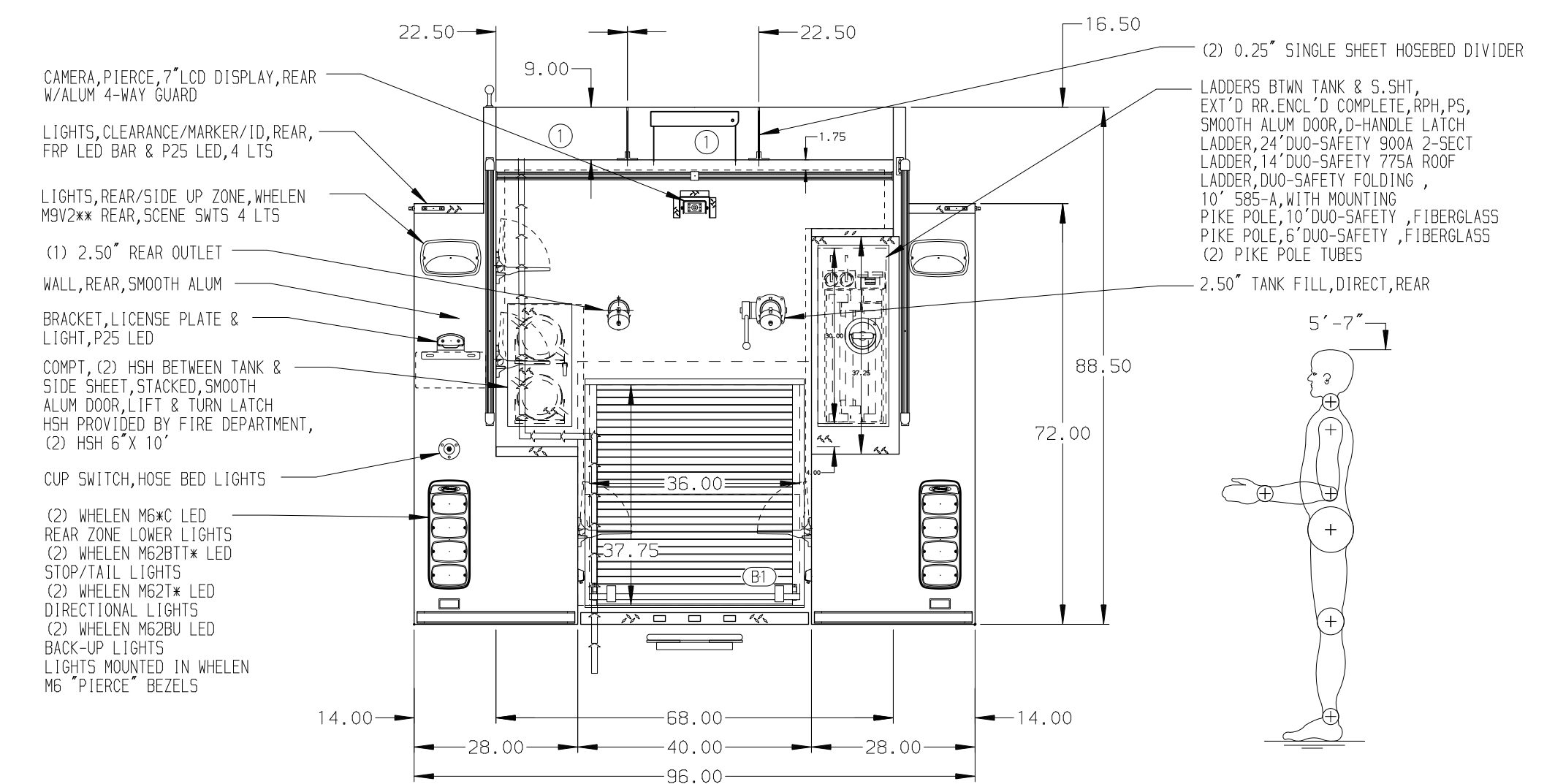
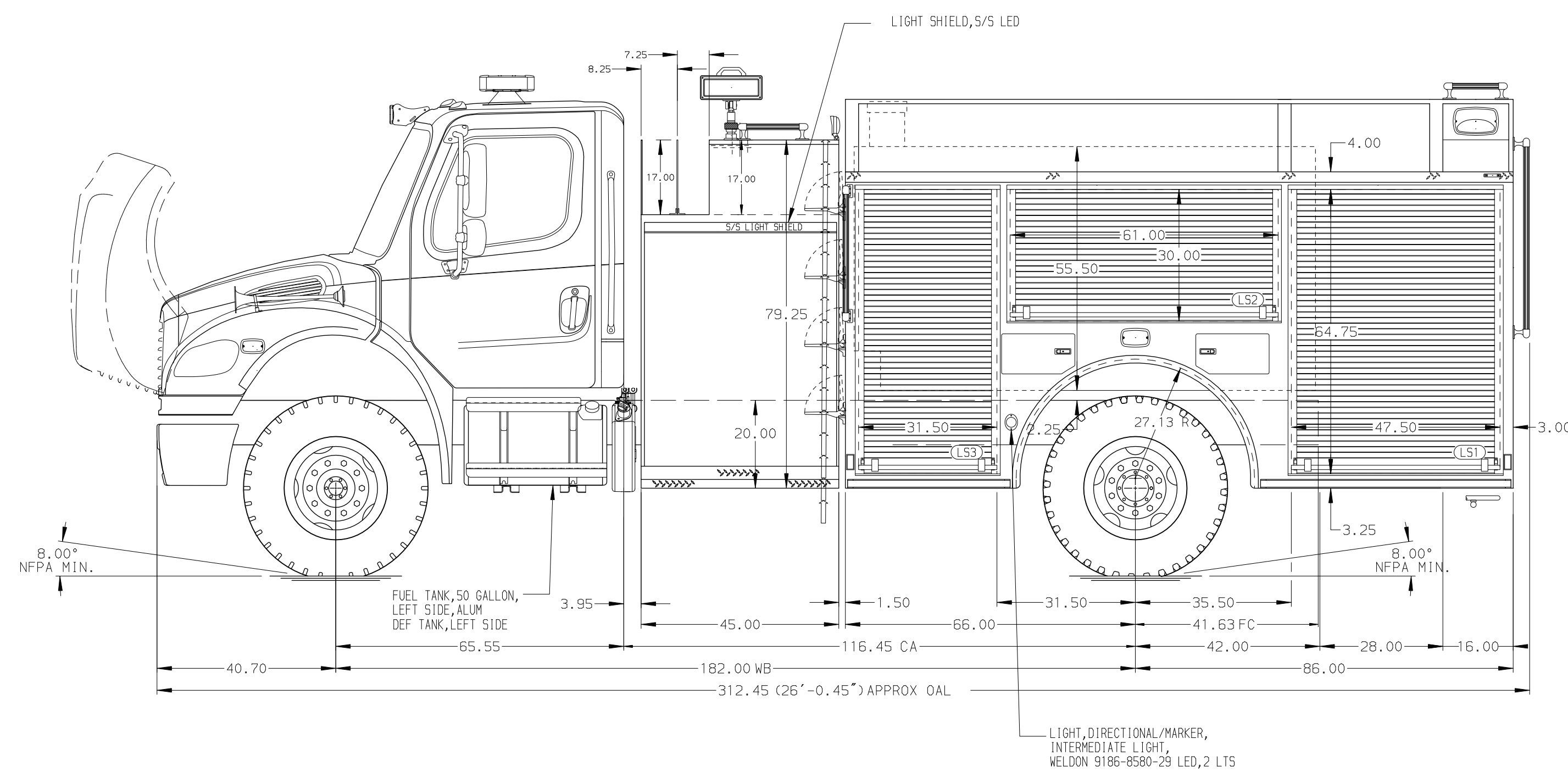


HOSEBED CAPACITIES  
 (1) 800' OF 3.00" D.J. POLYESTER HOSE



ALUMINUM BODY

NOTE  
 DIMENSIONS SHOWN ARE APPROXIMATE AND ARE SUBJECT TO MINOR DEVIATIONS AS MAY OCCUR OR BE NECESSARY IN CONSTRUCTION. MINOR DETAILS NOT SHOWN.

REV	DATE	BY	CH
21DEC22	JLA	JAP	
24OCT22	JLA	JAP	

		JOB NO.	37830
		SCALE	DATE
CHASSIS DATA TITLE MAKE FOR	1250-D-1000 POLY, 152", DS&PS FULL HGT FDLER	DRAWN BY	JLA
	45" SIDE CONTROL, (2) 1.5" CROSSSLAYS		22JUL22
MODEL DWG NO.	FL	CHECKED BY	RWI
	M2-106		28JUL22
STEWART SIMMONS VFD DEEP GAP, NORTH CAROLINA		SHEET SIZE	SHEET NO.
37830AD		D	1 OF 1