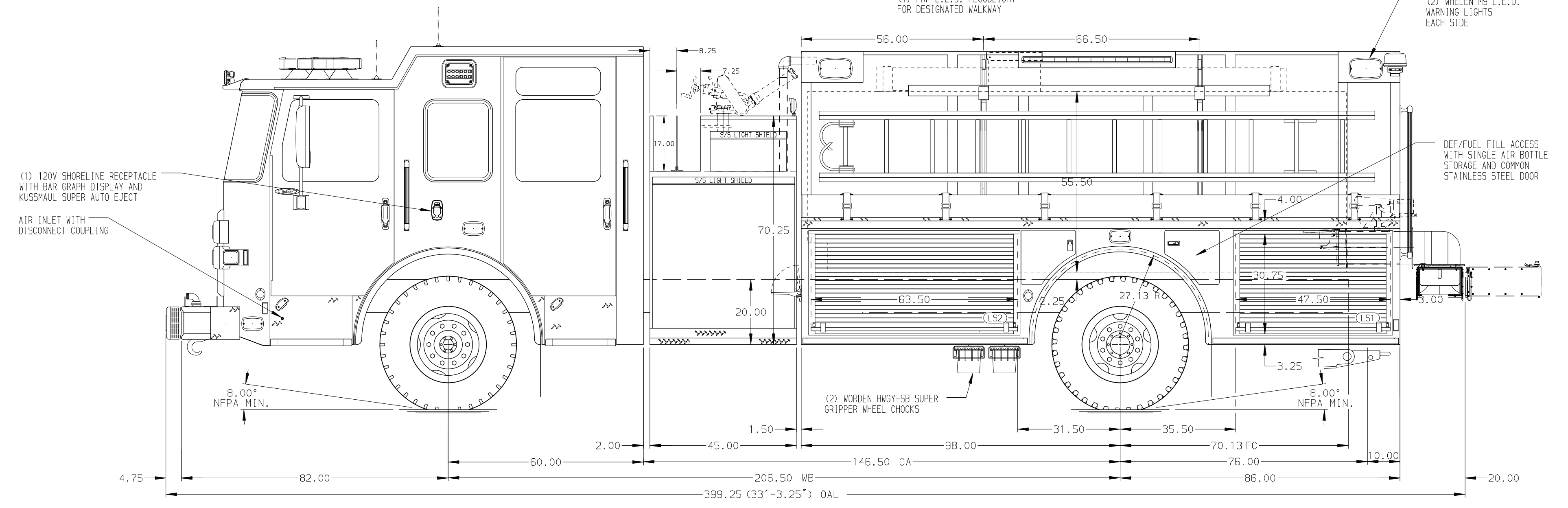
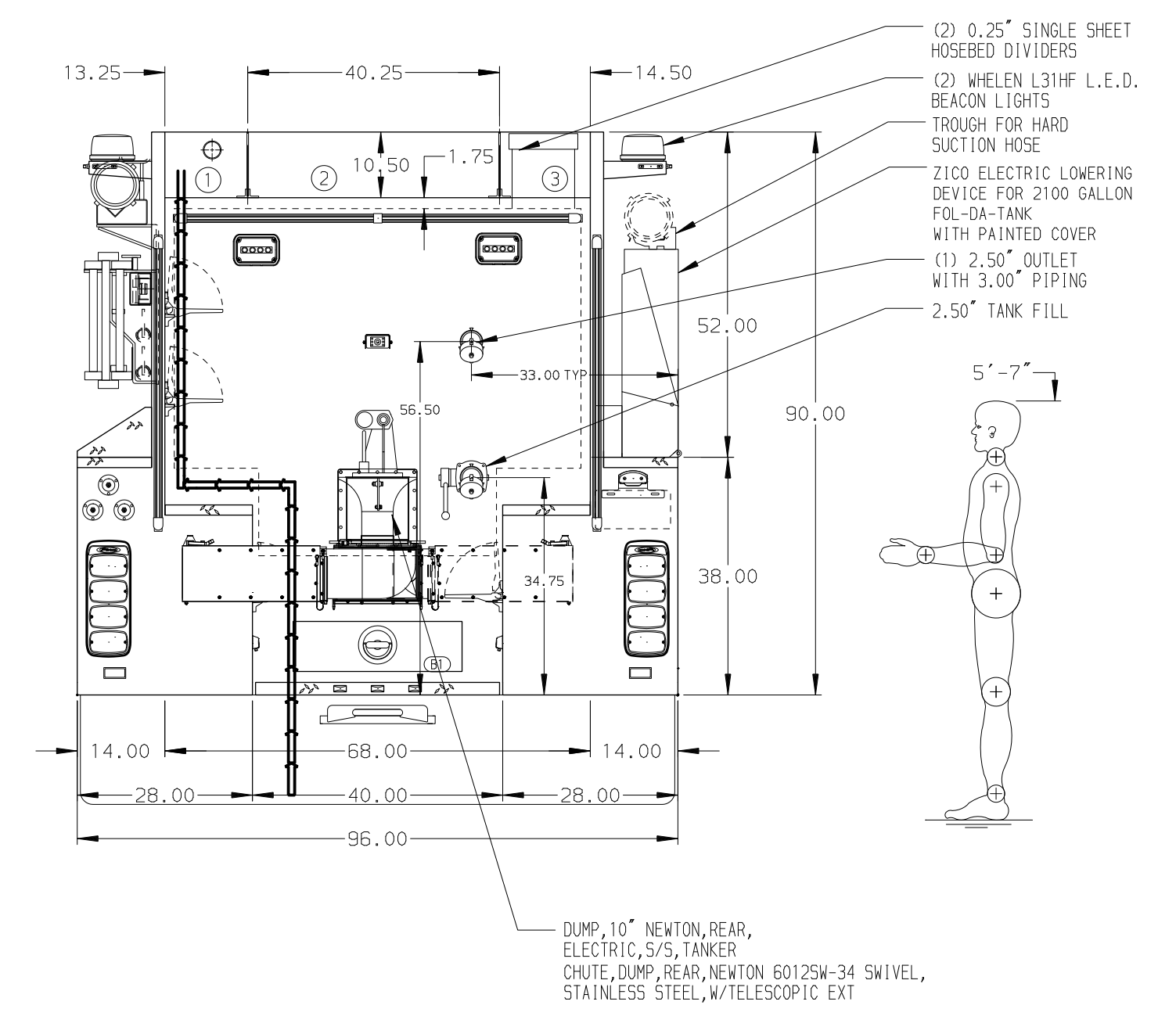


HOSEBED CAPACITIES

- 300' OF 2.00" D.J. HOSE
- 1000' OF 4.00" D.J. HOSE
- 200' OF 3.00" D.J. HOSE



- (1) 2.50" OUTLET
- (2) H1VIZ FT-6SMUR L.E.D. SCENE LIGHT TROUGH FOR HARD SUCTION HOSE
- VEHICLE CAMERA SYSTEM WITH PIERCE REAR CAMERA
- DUO-SAFETY LADDERS:
 - (1) 24" 2 SECTION 900A
 - (1) 14" ROOF 775-DR
 - (1) 10" FOLDING S85A
 - (1) 8' FHU RH-8 PIKE POLE
 - (1) 6' FHU RH-8 PIKE POLE
 - (2) ALUMINUM PIKE POLE TUBES
- HOSE TRAY WITH 6 SEAT BELTS
- CUP SWITCH FOR REAR SCENE LIGHTS
- CUP SWITCH FOR HOSE BED LIGHTS
- CUP SWITCH FOR REAR DUMP VALVE
- (2) WHELEN M6 L.E.D. WARNING LIGHTS
- (2) WHELEN M6 L.E.D. STOP/TAIL LIGHTS
- (2) WHELEN M6 L.E.D. DIRECTIONAL LIGHTS
- (2) WHELEN M6 L.E.D. BACK-UP LIGHTS
- LIGHTS MOUNTED IN WHELEN M6 "PIERCE" BEZELS



ALUMINUM BODY

MAXIMUM O.A.L. 399.25"

MAXIMUM O.A.H. 120.00"

NOTE
DIMENSIONS SHOWN ARE APPROXIMATE AND ARE SUBJECT TO MINOR DEVIATIONS AS MAY OCCUR OR BE NECESSARY IN CONSTRUCTION. MINOR DETAILS NOT SHOWN.

CUSTOMER APPROVAL

APPROVED BY: _____

DATE: _____

CHASSIS DATA	TITLE
MAKE	FOR
PIERCE	DWG NO.
MODEL	
SABER FR	



TITLE	1500-D-2000P, 184" PUMPER TANKER, LOW SIDES
FOR	(2) CROSSLAYS, LS LADDER BRACKETS, ZICO QUIC-LIFT WEST WIMBERDING VOLUNTEER FIRE DEPARTMENT NORTH VERSAILLES, PENNSYLVANIA
DWG NO.	37843AD

JOB NO.	37843
SCALE	1:24
DATE	
DRAWN BY	LME
CHECKED BY	CDU
SHEET NO.	1 OF 1