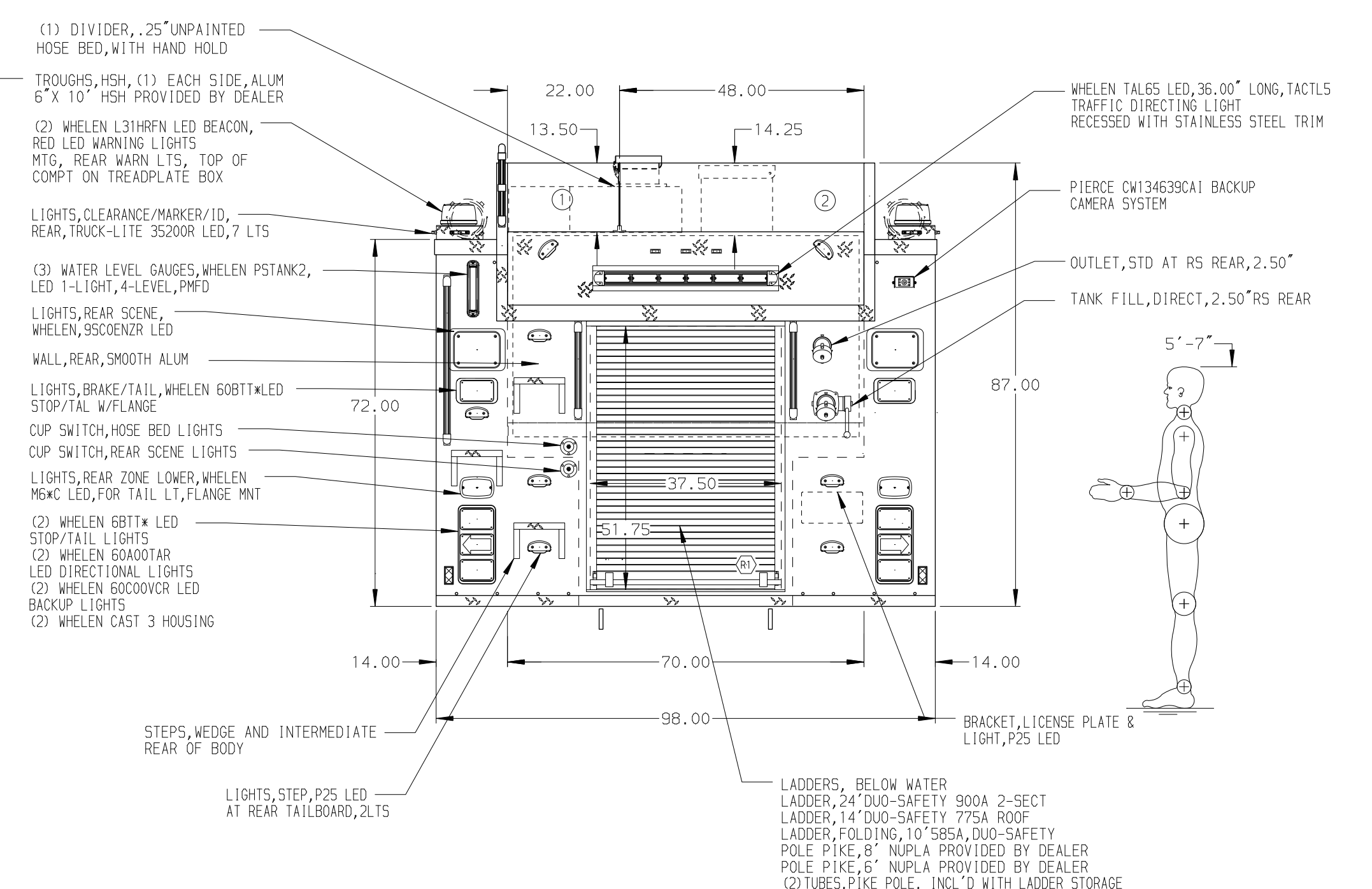
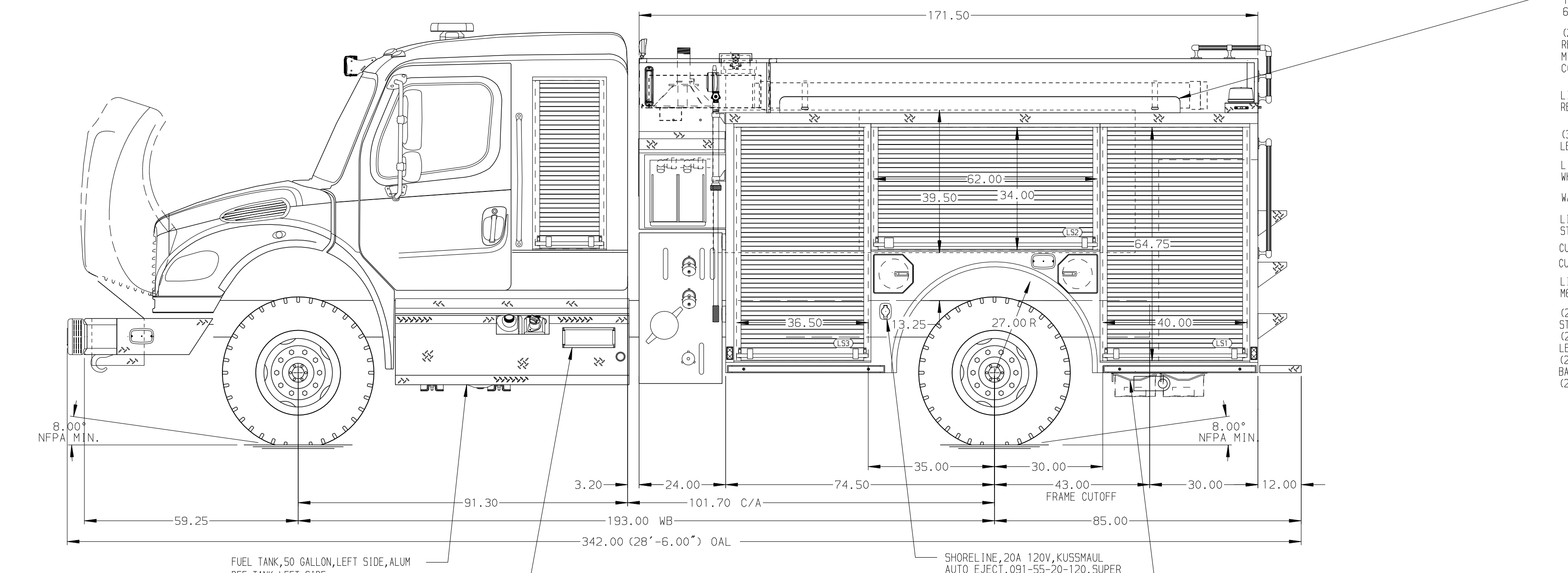


- HOSEBED CAPACITIES
- ① 400' OF 1.50" D.J. RUBBER HOSE
  - ② 1500' OF 2.50" D.J. POLYESTER HOSE



**ALUMINUM BODY**

**NOTE**  
DIMENSIONS SHOWN ARE APPROXIMATE AND ARE SUBJECT TO MINOR DEVIATIONS AS MAY OCCUR OR BE NECESSARY IN CONSTRUCTION. MINOR DETAILS NOT SHOWN.

<p>BRADENTON, FLORIDA</p>		JOB NO.	37853		
		SCALE	DATE		
CHASSIS DATA MAKE FL MODEL M2-106	TITLE	1250-D-1000 POLY 147.5" BODY L5 & RS FULL HEIGHT	DRAWN BY	JLA	25AUG22
	FOR	STEELE FIRE DEPARTMENT STEELE, ALABAMA	CHECKED BY	RWI	26AUG22
REV	DATE	BY	CH	DWG NO.	SHEET NO.
				37853AD	1 OF 1